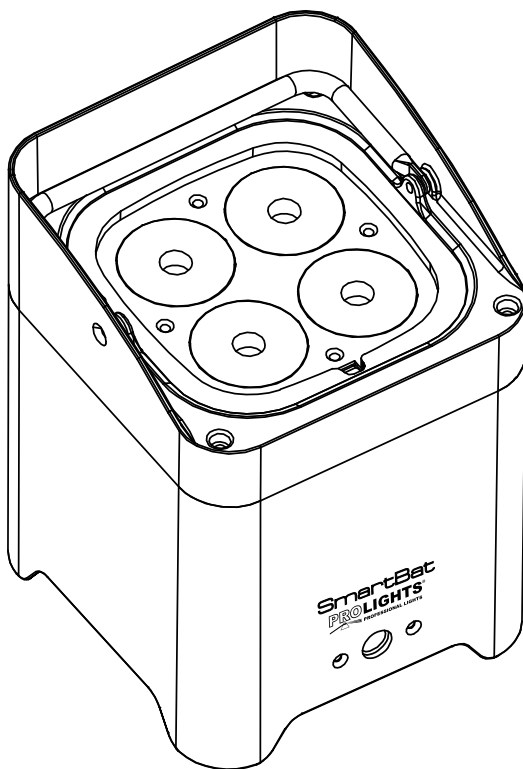


TRIBE®

SMARTBAT

PORTABLE BATTERY-POWERED
UPLIGHTER



USER MANUAL
MANUALE UTENTE

All rights reserved by Music & Lights S.r.l. No part of this instruction manual may be reproduced in any form or by any means for any commercial use.

In order to improve the quality of products, Music&Lights S.r.l. reserves the right to modify the characteristics stated in this instruction manual at any time and without prior notice.
All revisions and updates are available in the 'manuals' section on site www.musiclights.it

TABLE OF CONTENTS**Safety**

General instructions	2
Warnings and installation precautions	2

1 Introduction

1.1 Description	3
1.2 Technical specifications	3
1.3 Operating elements and connections	5

2 Installation

2.1 Mounting	6
--------------------	---

3 Functions and settings

3.1 Operation	7
3.2 Basic setup	7
3.3 Recharge	7
3.4 Menu structure	8
3.5 Auto Show	9
3.6 Show speed	9
3.7 Static color	9
3.8 Sound mode	10
3.9 Microphone sensitivity	10
3.10 Manual color	10
3.11 IR setup	10
3.12 Master/Slave mode with DMX signal cable	11
3.13 Master/Slave with wireless signal	11
3.14 Operation with app SmartColors	12
3.15 Operation with WIFIBOX	13
3.16 Dimmer mode	13
3.17 Linking	14
3.18 DMX mode	14
3.19 DMX addressing	14
3.20 Connection of the DMX line	15
3.21 Construction of the DMX termination	15
3.22 DMX control	16

4 Maintenance

4.1 Maintenance and cleaning the unit	17
4.2 Fuse replacement	17

Packing content

- SMARTBAT
- Power cable
- IR Remote controller
- User manual




WARNING! Before carrying out any operations with the unit, carefully read this instruction manual and keep it with care for future reference. It contains important information about the installation, usage and maintenance of the unit.



SAFETY

General instruction

- The products referred to in this manual conform to the European Community Directives and are therefore marked with **CE**.
- Supply voltage of this product is DC24V; never connect directly to AC220V. Leave servicing to skilled personnel only. Never make any modifications on the unit not described in this instruction manual, otherwise you will risk an electric shock.
- Connection of the power adapter must be made to a power supply system fitted with efficient earthing (Class I appliance according to standard EN 60598-1). It is, moreover, recommended to protect the supply lines of the units from indirect contact and/or shorting to earth by using appropriately sized residual current devices.
- The connection to the main network of electric distribution must be carried out by a qualified electrical installer. Check that the voltage correspond to those for which the unit is designed as given on the electrical data label.
- This unit is not for home use, only professional applications.
- Never use the fixture under the following conditions:
 - in places subject to vibrations or bumps;
 - in places subject to excessive humidity.
- Make certain that no inflammable liquids, water or metal objects enter the fixture.
- Do not dismantle or modify the fixture.
- All work must always be carried out by qualified technical personnel. Contact the nearest sales point for an inspection or contact the manufacturer directly.
- If the unit is to be put out of operation definitively, take it to a local recycling  plant for a disposal which is not harmful to the environment.

Warnings and installation precautions

- If this device will be operated in any way different to the one described in this manual, it may suffer damage and the guarantee becomes void. Furthermore, any other operation may lead to dangers like short circuit, burns, electric shock, etc.
- Before starting any maintenance work or cleaning the projector, cut off power from the main supply.
- Always additionally secure the projector with the safety rope. When carrying out any work, always comply scrupulously with all the regulations (particularly regarding safety) currently in force in the country in which the fixture's being used.
- Install the fixture in a well ventilated place.
- Keep any inflammable material at a safe distance from the fixture.
- Shields, lenses or ultraviolet screens shall be changed if they have become damaged to such an extent that their effectiveness is impaired.
- The lamp (LED) shall be changed if it has become damaged or thermally deformed.
- Never look directly at the light beam. Please note that fast changes in lighting, e. g. flashing light, may trigger epileptic seizures in photosensitive persons or persons with epilepsy.
- This product is not intended for permanent installation.
- Do not touch the product's housing when operating because it may be very hot.
- This product was designed and built strictly for the use indicated in this documentation. Any other use, not expressly indicated here, could compromise the good condition/operation of the product and/or be a source of danger.
- We decline any liability deriving from improper use of the product.

- 1 - INTRODUCTION

1.1 DESCRIPTION

SMARTBAT is a wireless light designed to rewrite the rules for battery operated fixtures. Ensuring that high performance and good design all housed in a compact size and price that makes it affordable makes the SMARTBAT ideal for every kind of event. It can be remotely controlled through proprietary wireless DMX protocol, the SmartColors app or through the IR controller - making it suitable for every level of user.

1.2 TECHNICAL SPECIFICATIONS

LIGHT SOURCE

- Source: 4x8W RGBW LEDs
- Luminous flux: 1127lm
- Lux: 833lux @3m full
- Source life expectancy: >50.000 h

OPTICS

- Beam angle: 13°
- Field angle: 30°
- Lens diameter: 42mm
- Additional optics: 25° and 45° optional

COLOUR SYSTEM

- Colour mixing: RGBW/FC
- White presets: 3200~10000K
- Colour wheel: virtual colour wheel with presets

DYNAMIC EFFECTS

- Static colour mode: selection of static colour
- Manual colour mode: manual adjustment of colour
- Auto mode: built-in programs with execution speed adjustment

BODY

- Tilt angle: adjustable foot support for tilt regulation (up to 20°)
- Body: sturdy die-cast aluminium body conceived for long-time durability
- Body colour: black, white finishing available

CONTROL

- Protocols: DMX512
- DMX channels: 4/6/10channel
- W-DMX: integrated, proprietary protocol compatible with WIFIBOX, WDBOX
- Display: LED display user interface
- Firmware upgrade: yes, via USB-DMX interface (UPBOX1) not included
- IR: infrared sensor controlled by remote
- Master/Slave: for synchronized operation of more units linked in a chain

ELECTRONICS

- Dimmer: linear 0~100% electronic dimmer
- Dimmer curves: 4 different dimming curves available

- Strobe / shutter: 1-25 Hz, electronic
- Operating temperature: 0° ~ +35°
- Flicker: flicker free operation

ELECTRICAL

- Power supply: 100-240V – 50/60Hz
- Power consumption (at 230V): 30W
- Power consumption (at 120V): 31W

BATTERY

- Battery: 24V lithium
- Estimated battery life in colour change mode up to: 12h
- Estimated battery life in full-mode up to: 8h
- Re-charge connection: power cable
- Re-charge time: 5h/max
- Battery status: LED battery status indicator

PHYSICAL

- Cooling: natural cooling of the peculiar chassis and to absence of fans
- Sospension and fixing: M12 threaded insert for easy clamp installation
- Signal connection: XLR 3p IN/OUT connectors
- Power connection: IEC IN/OUT connectors
- IP rating: 33
- Dimensions (WxHxD): 138x186x145mm
- Weight: 3.4kg

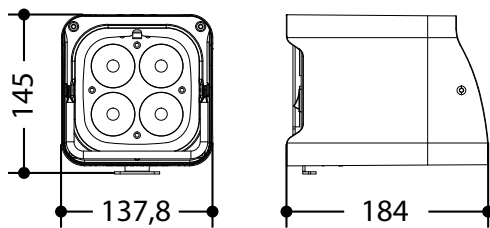


Fig.1

Photometric data

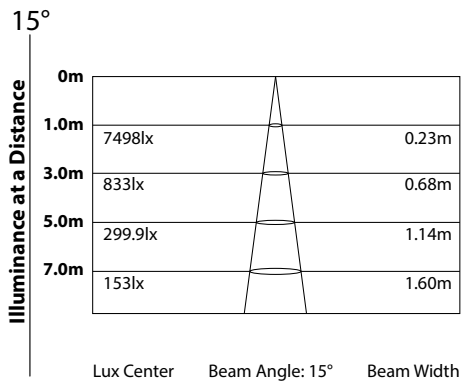
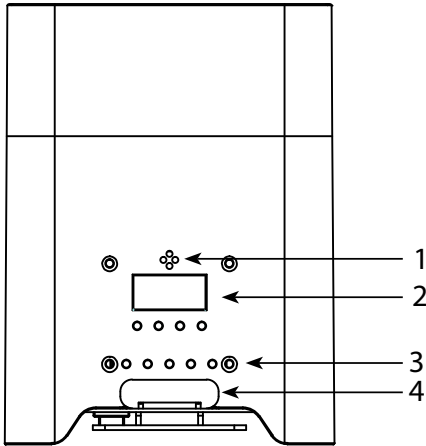


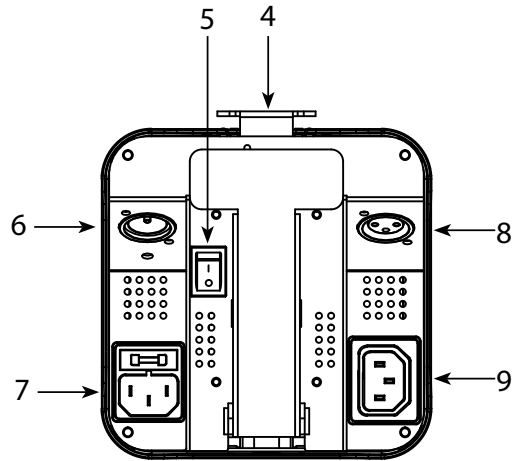
Fig.2

1.3 OPERATING ELEMENTS AND CONNECTIONS



Side panel

Fig.3



Bottom panel

Fig.4

1. MICROPHONE to control the show by the external audio signal.
2. CONTROL PANEL with display and 4 button used to access the control panel functions and manage them.
3. CHARGE BATTERY LED.
4. Adjustable foot support for tilt regulation (up to 20°).
5. ON/OFF SWITCH.
6. DMX IN (3-pole XLR):
1 = ground, 2 = DMX -, 3 = DMX +.
7. POWER IN mains plug for connection to a socket (100-240V 50/60Hz) via the supplied mains cable. The support for the mains fuse is located near the mains plug. Only replace a blown fuse by one of the same type.
8. DMX OUT (3-pole XLR):
1 = ground, 2 = DMX -, 3 = DMX +.
9. POWER OUT: connect to supply power to the next unit.

- 2 - INSTALLATION

2.1 MOUNTING

SMARTBAT may be set up on a solid and even surface. The unit can also be mounted upside down to a cross arm. For fixing, stable mounting clips are required. The mounting place must be of sufficient stability and be able to support a weight of 10 times of the unit's weight.

When carrying out any installation, always comply scrupulously with all the regulations (particularly regarding safety) currently in force in the country in which the fixture's being used.

IMPORTANT

Always additionally secure the projector with the safety rope from falling down. For this purpose, fasten the safety rope at a suitable position so that the maximum fall of the projector will be 20 cm.

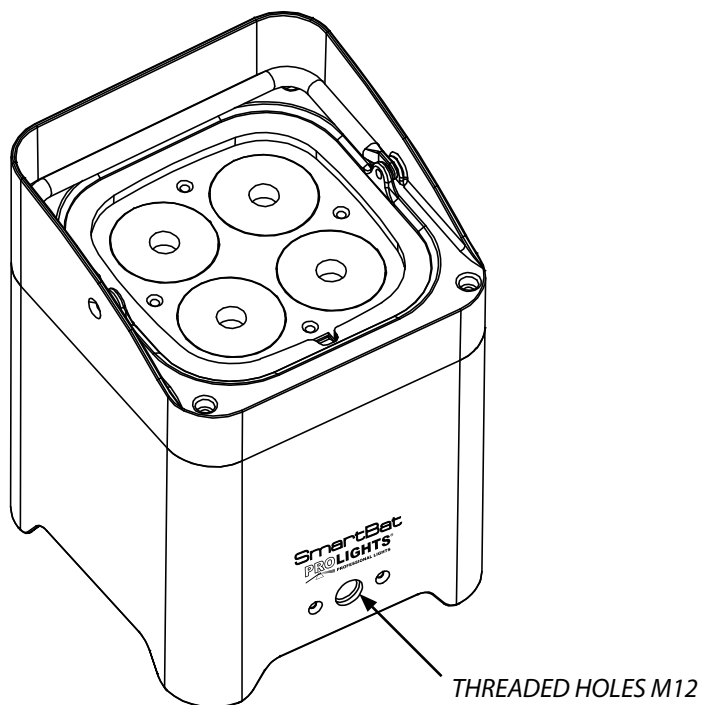


Fig.5

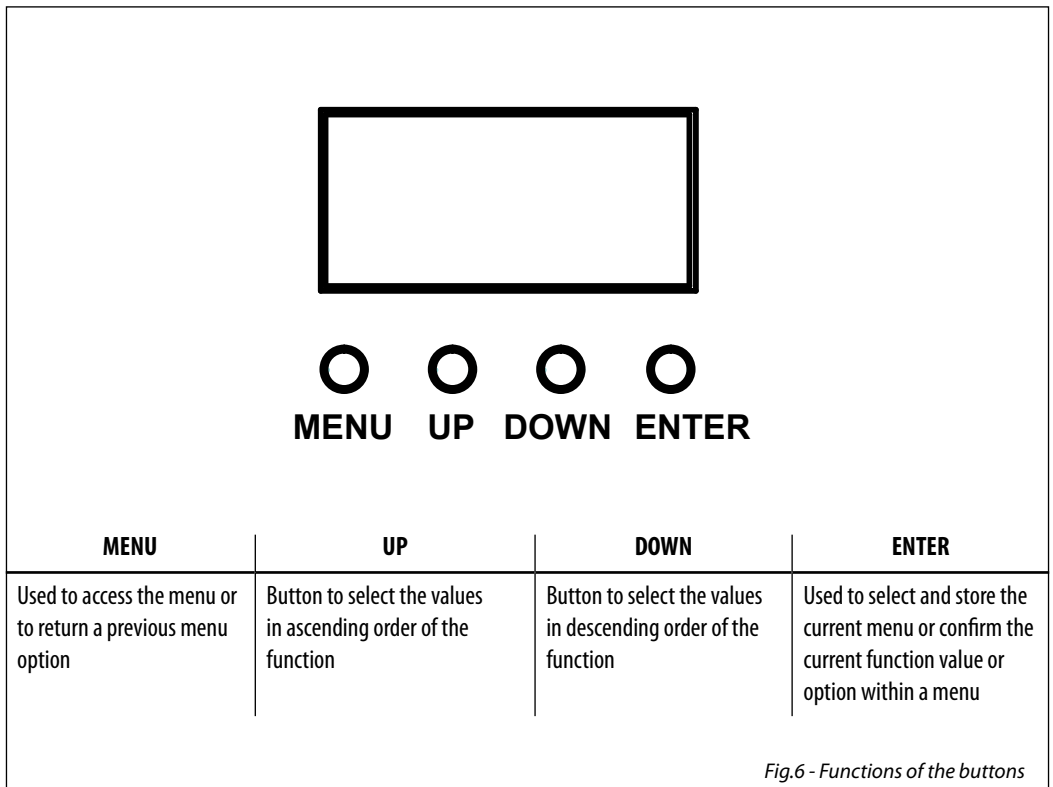
- 3 - FUNCTIONS AND SETTINGS

3.1 OPERATION

Switch on the SMARTBAT with the power switch. The unit is ready for operation and can be operated via a DMX controller or it independently performs its show program in succession. After operation, switch off the unit with the power switch.

3.2 BASIC SETUP

The SMARTBAT has a LED display and 4 buttons for access to the functions of the control panel (fig. 6).



3.3 RICHARGE

To recharge SMARTBAT, plug the power cable into a mains socket (100-240V ~ / 50-60Hz).

NOTE - The charging time are 5 h and autonomy is 8h

3.4 MENU STRUCTURE

	MENU (LEVEL 1)	(LEVEL 2)	(LEVEL 3)
1	4 CH	d1 ~ d512	
2	6 CH	d1 ~ d512	
3	10 CH	d1 ~ d512	
4	C--	C1 C2 C3 C4 C5 C6 C7 C8 C9 C10 C11 C12 C13 C14 C15	
5	P--	P1 P2 P3 P4	
6	S--	S1 ~ S100	
7	Snd		
8	Sens	u0 ~ u100	
9	U--	r0 ~ r255 g0 ~	

		g255 b0 ~ b255 wo ~ w255	
10	dlM	OFF dim1 dIM2 dIM3	
11	SET	ON OFF	
12	S-tr	drAS drCH dtAS dtCH	drAU dr 1 ~ dr16 dtAU dt 1 ~ dt16

3.5 AUTO SHOW

This fixture has a built-in automatic program. To access this, please see the below instructions:

- Press the button MENU so many times until shows [P--].
- Press the button ENTER to confirm.
- Using UP/DOWN button, select one of the programs [P1 - P4].
- Press the button ENTER save the setting.

3.6 SHOW SPEED

To set the show speed refer to the following steps:

- Press the button MENU so many times until shows [S--].
- Using UP/DOWN button, select one of the programs [S1 - S100].
- Press the button ENTER save the setting.

3.7 STATIC COLOR

This fixture has the ability to accept custom static color settings. Access these chases via the control panel on the back of the fixture.

- Press the button MENU so many times until shows [C--].
- Press the button ENTER to confirm.
- Using UP/DOWN button, select one of the programs [C1 - C15].
- Press the button ENTER save the setting.

3.8 SOUND MODE

To set the sound mode refer to the following steps:

- Press the MENU button so many times until the display shows [Snd].
- Press the ENTER button for save the setting.

3.9 MICROPHONE SENSITIVITY

To set the microphone sensitivity refer to the following steps:

- Press the button MENU so many times until shows [Sens].
- Using UP/DOWN button, select one of the programs [u1 - u100].
- Press the button ENTER save the setting.

3.10 MANUAL COLOR

This mode allows to combine the colors red, green, blue and white (r, g, b).

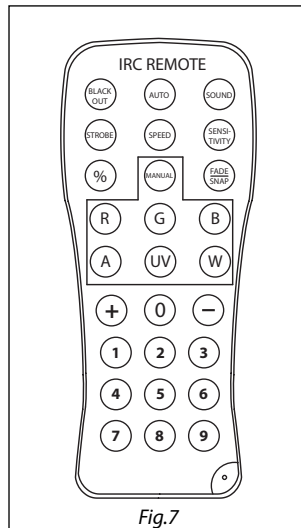
- Press the button MENU so many times until the display shows [U--], then press the button ENTER.
- Select the color (r, g, b) through the buttons UP/DOWN.
- Press the button ENTER to confirm.
- Using UP/DOWN button, select the desired color value [000 - 255].
- Press ENTER button to continue to the next color.
- Continue until the desired mix is obtained.
- Press the MENU button to go back or to meet the waiting time to exit the setup menu.

3.11 IR SETUP

To start up the IR receiver refer to the following steps:

- Press the MENU button so many times until the display shows [Set].
- Press the ENTER button to confirm.
- Press the UP/DOWN button, select one of the programs [ON] or [OFF].
- Press the ENTER button for save the setting.

NOTE - Make sure to point the controller directly at the receiver on the product.



3.12 MASTER/SLAVE MODE WITH DMX SIGNAL CABLE

This mode will allow you to link up the units together without a controller. Choose a unit to function as the Master. The unit must be the first unit in line; other units will work as slave.

- Use standard DMX cables to daisy chain your units together via the DMX connector on the rear of the units. For longer cable runs we suggest a terminator at the last fixture (see page 16).
- Use any one of the standalone modes for the master unit.
- Set the slaves to the same DMX modes.

3.13 MASTER/SLAVE MODE WITH WIRELESS SIGNAL

This mode allows you to wirelessly connect more units SMARTBAT, without a controller. The first unit, transmitter signal, it will be set as master and the others, receivers, as slave.

Wireless communication between devices can be configured in two ways:

Manual transmit/receive mode

On Master unit:

- Press the MENU button so many times until the display shows [S-tr].
- Press the ENTER button to confirm.
- Press the UP/DOWN button and select [dtCH].
- Press the ENTER button to confirm.
- Press the UP/DOWN button, select one of the transmitting signal [dt 1 - dt 16].
- Press the ENTER button for save the setting.

On Slave unit:

- Press the MENU button so many times until the display shows [S-tr].
- Press the ENTER button to confirm.
- Press the UP/DOWN button and select [drCH].
- Press the ENTER button to confirm.
- Press the UP/DOWN button, select one of the transmitting signal [dr 1 - dr 16].
- Press the ENTER button for save the setting.

Auto transmit/receive mode

On Master unit:

- Press the MENU button so many times until the display shows [S-tr].
- Press the ENTER button to confirm.
- Press the UP/DOWN button and select [dtAS].
- Press the ENTER button to confirm.
- Press the ENTER button again to confirm [dtAU].

On Slave unit:

- Press the MENU button so many times until the display shows [S-tr].
- Press the ENTER button to confirm.
- Press the UP/DOWN button and select [drAS].
- Press the ENTER button to confirm.
- Press the ENTER button again to confirm [drAU].

On Master unit:

- Hold the AUTO button.

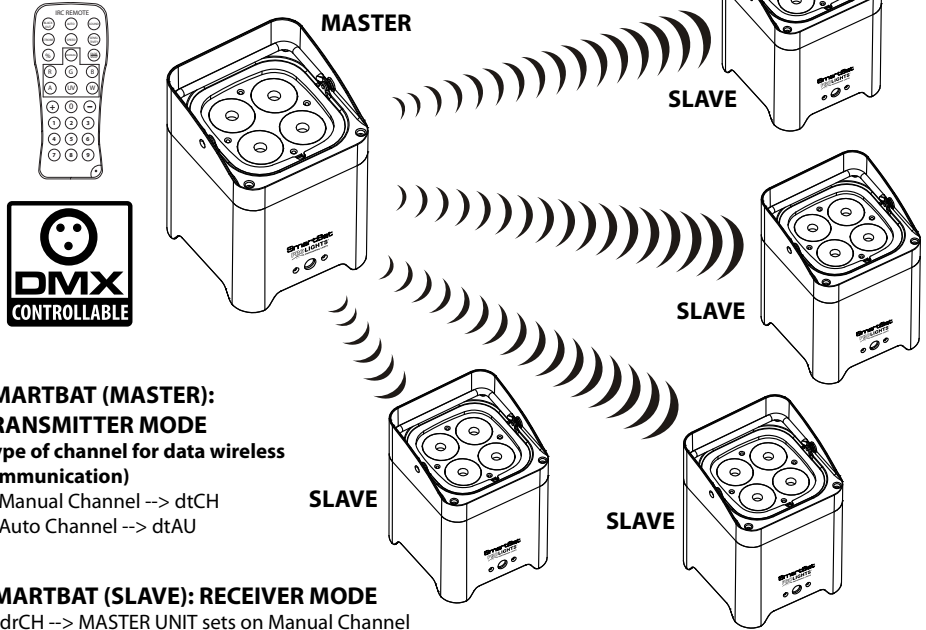
On Slave unit:

- Hold the AUTO button (always hold AUTO button on Master unit).
- Wait 5 seconds and release the AUTO button on Slave unit.

Note: Use any one of the standalone modes for the master unit. Set the slaves to the same DMX modes.

SMARTBAT (MASTER): SIGNAL INPUT

- 1) DMX (with a DMX Controller)
- 2) Control panel on device
- 3) IR remote controller

**SMARTBAT (MASTER): TRANSMITTER MODE**

(type of channel for data wireless communication)

- 1) Manual Channel --> dtCH
- 2) Auto Channel --> dtAU

SMARTBAT (SLAVE): RECEIVER MODE

- 1) drCH --> MASTER UNIT sets on Manual Channel
- 2) drAU --> MASTER UNIT sets on Auto Channel

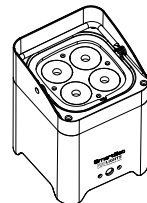
Note: To work in the right way, all SMARTBAT must be configured with the same DMX address/mode.

Fig.8 - Configuration Master/Slave mode

3.14 OPERATION WITH APP "SMARTCOLORS"

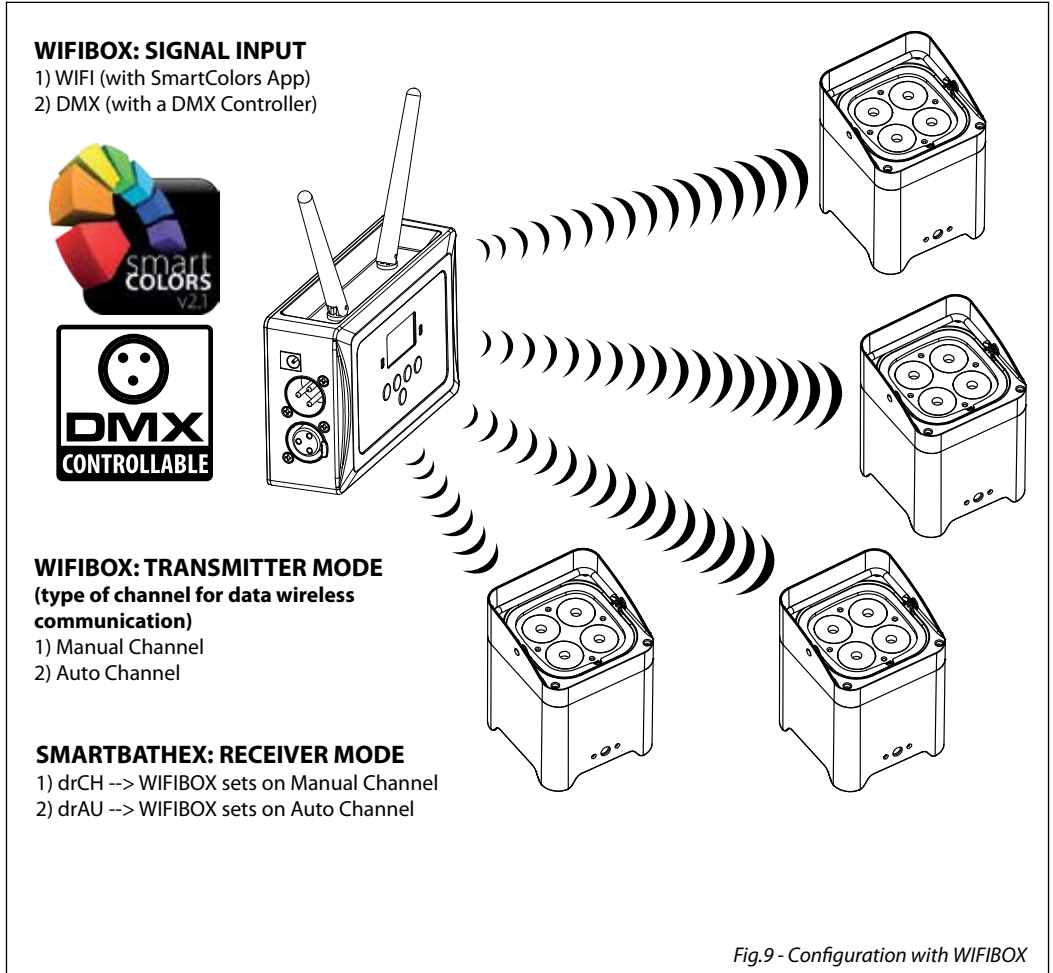
Important: WIFIBOX hardware is required to use this app.

WIFIBOX is a new-generation light control system, conceived to obtain an easy and versatile platform for LED projectors. The signal transmission is managed wired and wireless (through Wi-Fi), both in input and output, even allowing to control the fixtures through a smartphones applications "Smarcolors", available for IOS and Android devices. Before using the application, check that all devices are properly configured with WIFIBOX. For device's configuration refer to the WIFIBOX manual available on "www.musiclights.it".



3.15 OPERATION WITH WIFIBOX

This mode allows you to wirelessly connect more units SMARTBAT, all managed through a unit WIFIBOX (sold separately). For the unit WIFIBOX, transmitter signal, will set the input signal, WIFI or DMX. For the configuration of the devices refer to the manual of WIFIBOX available on "www.musiclights.it".



3.16 DIMMER MODE

- Enter in Dimmer mode to select specific dimming curve, press the button MENU so many times until shows [dIM], and press the button ENTER to confirm.
- Press the button UP/DOWN to select [OFF - dIM1 - dIM2 - dIM3].
- Press ENTER button to store.
- Press the MENU button to go back or to meet the waiting time to exit the setup menu.

3.17 LINKING

1. Connect the DMX OUT of the master unit via 3-pole XLR cable to the DMX IN of the first slave unit.
2. Connect the DMX OUT of the first slave unit to the DMX IN of the second slave unit, etc. until all units are connected in a chain.

3.18 DMX MODE

- Press the button MENU so many times until shows, [CH4], [CH6] or [CH10] and press the button ENTER to confirm.
- Press the button UP/DOWN to select the desired DMX address [d001 - d512]. Press and hold to scroll quickly. Press ENTER button to store.

The tables on page 17 indicate the operating mode and DMX value. The SMARTBAT is equipped with 3 pole XLR connections.

3.19 DMX ADDRESSING

To able to operate the SMARTBAT with a light controller, adjust the DMX start address for the first a DMX channel. If e. g. address 33 on the controller is provided for controlling the function of the first DMX channel, adjust the start address 33 on the SMARTBAT.

The other functions of the light effect panel are then automatically assigned to the following addresses. At the next page an example with the start address 33 is shown below:

Number of DMX channels	Start address (example)	DMX Address occupied	Next possible start address for unit No. 1	Next possible start address for unit No. 2	Next possible start address for unit No. 3
4	33	33-36	37	41	45
6	33	33-38	39	45	51
10	33	33-42	43	53	63

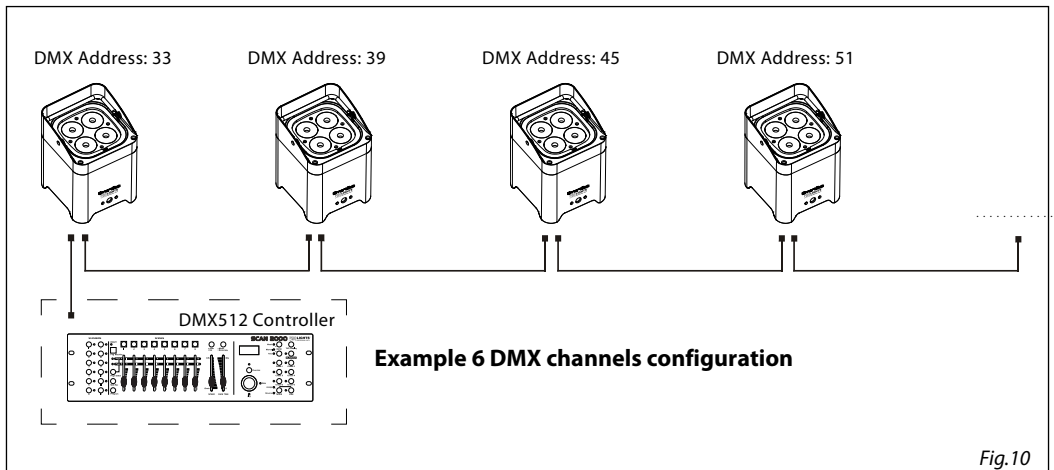
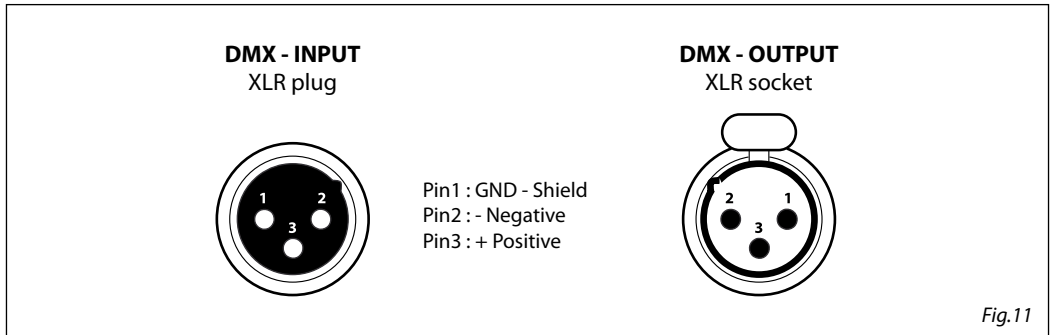


Fig.10

3.20 CONNECTION OF THE DMX LINE

DMX connection employs standard XLR connectors. Use shielded pair-twisted cables with 120Ω impedance and low capacity.

The following diagram shows the connection mode:



ATTENTION

The screened parts of the cable (sleeve) must never be connected to the system's earth, as this would cause faulty fixture and controller operation.

Over long runs can be necessary to insert a DMX level matching amplifier.

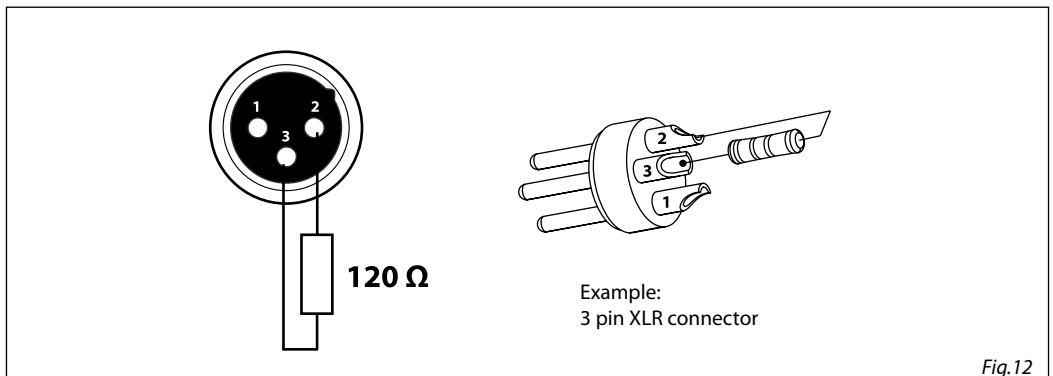
For those connections the use of balanced microphone cable is not recommended because it cannot transmit control DMX data reliably.

- Connect the controller DMX input to the DMX output of the first unit.
- Connect the DMX output to the DMX input of the following unit. Connect again the output to the input of the following unit until all the units are connected in chain.
- When the signal cable has to run longer distance is recommended to insert a DMX termination on the last unit.

3.21 CONSTRUCTION OF THE DMX TERMINATION

The termination avoids the risk of DMX 512 signals being reflected back along the cable when they reach the end of the line: under certain conditions and with certain cable lengths, this could cause them to cancel the original signals.

The termination is prepared by soldering a 120Ω 1/4 W resistor between pins 2 and 3 of the 5-pin male XLR connector, as shown in figure.



3.22 DMX CONTROL

MODE 10 Ch	FUNCTION	DMX Value
1	DIMMER 0~100%	000 - 255
2	RED 0~100%	000 - 255
3	GREEN 0~100%	000 - 255
4	BLUE 0~100%	000 - 255
5	WHITE 0~100%	000 - 255
6	COLOR COLOR + COLOR TEMPERATURE No Function R 100% G 0~100% B 0 R 100%~0 G 100% B 0 R 0 G 100% B 0~100% R 0 G 100%~0 B 100% R 0~100% G 0 B 100% R 100% G 0 B 100%~0 R 100% G 0~100% B 0~100% R 100%~0 G 100%~0 B 100% R 100% G 100% B 100% W 100% Color temperature 1 Color temperature 2 Color temperature 3 Color temperature 4 Color temperature 5 Color temperature 6 Color temperature 7 Color temperature 8 Color temperature 9 Color temperature 10 Color temperature 11	000-010 011-030 031-050 051-070 071-090 091-110 111-130 131-150 151-170 171-200 201-205 206-210 211-215 216-220 221-225 226-230 231-235 236-240 241-245 246-250 251-255
7	STROBE No Function Strobe slow to fast	000 - 010 011 - 255
8	AUTO/SOUND PROGRAMS No Function Auto Program 1 Auto Program 2 Auto Program 3 Auto Program 4	000-010 011-060 061-120 121 - 180 181 - 240

MODE 10 Ch	FUNCTION	DMX Value
8	Sound show	241 - 255
9	AUTO SPEED Speed slow to fast	000 - 255
10	DIM MODE Preset dimmer speed from display menu Dimmer speed mode off Dimmer speed mode1 (fast speed) Dimmer speed mode2 (middle speed) Dimmer speed mode3 (slow speed)	000-051 052-101 102-152 153-203 204-255

MODE 4 Ch	FUNCTION	DMX Value
1	RED 0~100%	000 - 255
2	GREEN 0~100%	000 - 255
3	BLUE 0~100%	000 - 255
4	WHITE 0~100%	000 - 255

MODE 6 Ch	FUNCTION	DMX Value
1	DIMMER 0~100%	000 - 255
2	RED 0~100%	000 - 255
3	GREEN 0~100%	000 - 255
4	BLUE 0~100%	000 - 255
5	WHITE 0~100%	000 - 255
6	STROBE No Function Strobe slow to fast	000 - 010 011 - 255

- 4 - MAINTENANCE

4.1 MAINTENANCE AND CLEANING THE UNIT

- Make sure the area below the installation place is free from unwanted persons during setup.
- Switch off the unit, unplug the main cable and wait until the unit has cooled down.
- All screws used for installing the device and any of its parts should be tightly fastened and should not be corroded.
- Housings, fixations and installation spots (ceiling, trusses, suspensions) should be totally free from any deformation.
- The main cables must be in impeccable condition and should be replaced immediately even when a small problem is detected.
- It is recommended to clean the front at regular intervals, from impurities caused by dust, smoke, or other particles to ensure that the light is radiated at maximum brightness. For cleaning, disconnect the main plug from the socket. Use a soft, clean cloth moistened with a mild detergent. Then carefully wipe the part dry. For cleaning other housing parts use only a soft, clean cloth. Never use a liquid, it might penetrate the unit and cause damage to it.

4.2 FUSE REPLACEMENT

1. Remove the safety cap by a screwdriver.
2. Replace the blown fuse with a fuse of the exact same type and rating.
3. Install the safety cap, and reconnect power.

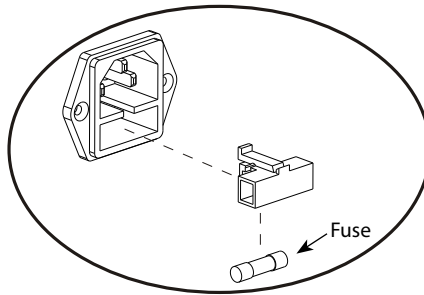


Fig.13

Battery Guide

New Lithium Battery Initialisation

Any new fixture containing a Lithium battery should be initialised when first purchased to maximise its battery life.

To do this:

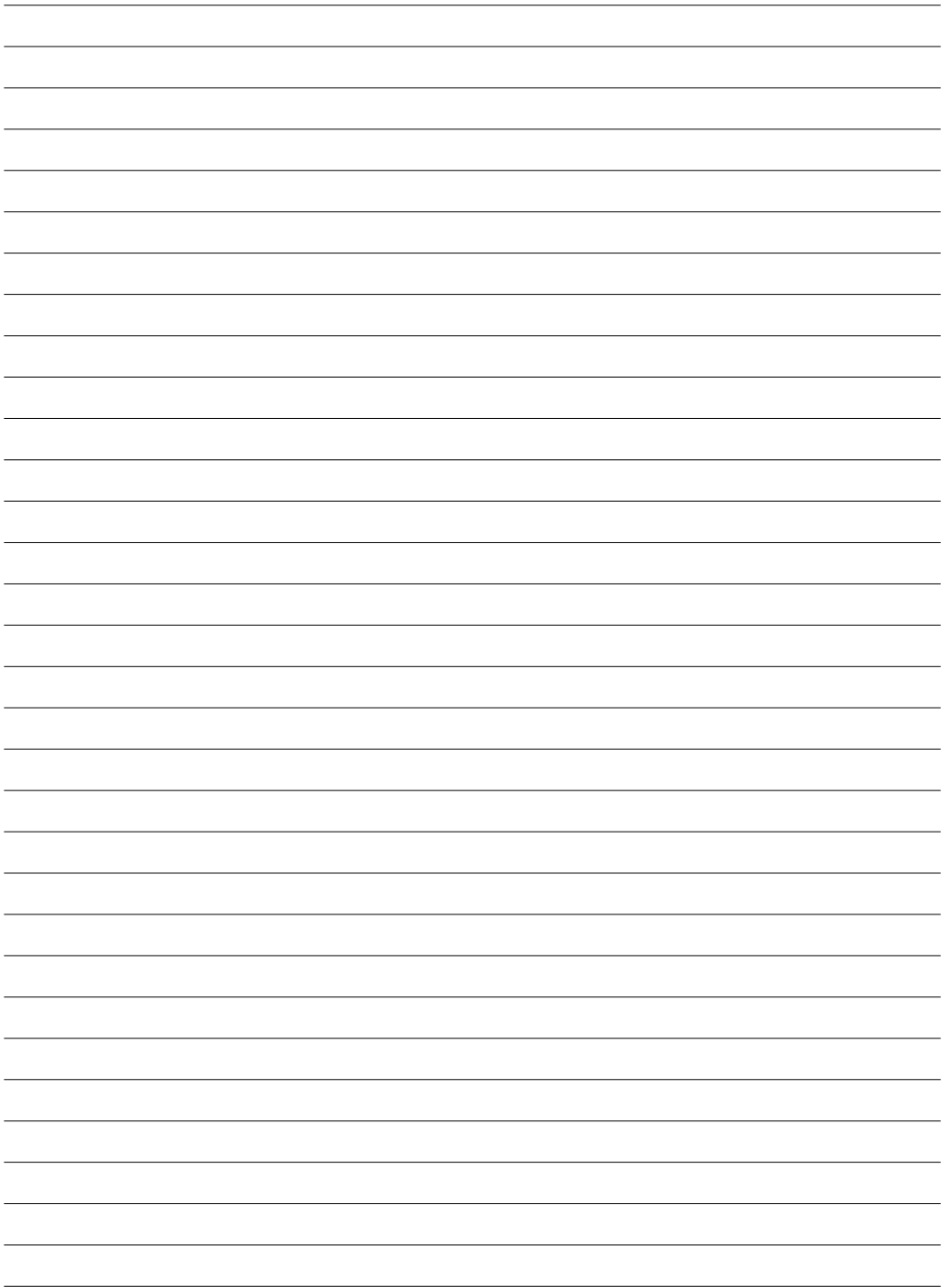
1. Fully charge the unit for a minimum of 5 to 6 hours.
 2. Fully discharge, then fully recharge the battery.
 3. Repeat this cycle another 2 times for optimum battery life.
-

Maximizing Battery Performance

1. Lithium batteries perform best when in regular use. Long idle periods will reduce the battery life.
 2. Recharge the battery at the earliest opportunity, leaving batteries discharged for long periods will reduce battery life.
 3. Store units containing Lithium batteries at cool temperatures. High ambient temperatures significantly reduce the life of a Lithium battery.
 4. Disconnect power from the unit when charging is complete.
 5. Do not use fixtures whilst charging.
-

Long term storage

1. Charge your fixture's battery to around 50%. If you store a fixture with a fully discharged battery, it could fall into a deep discharge state. If you store it fully charged, the battery may lose some capacity, leading to shorter battery life.
2. Power down the device to avoid additional battery use.
3. Place your device in a cool, moisture-free environment that's less than 32° C (90° F).



Music & Lights S.r.l. si riserva ogni diritto di elaborazione in qualsiasi forma delle presenti istruzioni per l'uso.
La riproduzione - anche parziale - per propri scopi commerciali è vietata.

Al fine di migliorare la qualità dei prodotti, la Music&Lights S.r.l. si riserva la facoltà di modificare, in qualunque momento e senza preavviso, le specifiche menzionate nel presente manuale di istruzioni. Tutte le revisioni e gli aggiornamenti sono disponibili nella sezione 'Manuali' sul sito www.musiclights.it

INDICE	Sicurezza	
	Avvertenze generali	4
	Attenzioni e precauzioni per l'installazione	4
	1 Introduzione	
	1.1 Descrizione	5
	1.2 Specifiche tecniche	5
	1.3 Elementi di comando e di collegamento	7
	2 Installazione	
	2.1 Montaggio	8
	3 Funzioni e impostazioni	
	3.1 Funzionamento	9
	3.2 Impostazione base	9
	3.3 Processo di ricarica	9
	3.4 Struttura menu	10
	3.5 Auto Show	11
	3.6 Velocità Show	11
	3.7 Static color	11
	3.8 Modalità musicale	12
	3.9 Sensibilità microfono	12
	3.10 Manual color	12
	3.11 Impostazioni IR	12
	3.12 Modalità Master/Slave con cavo DMX	13
	3.13 Modalità Master/Slave con segnale wireless	13
	3.14 Funzionamento con l'app SmartColors	14
	3.15 Funzionamento con WIFIBOX	15
	3.16 Funzione dimmer	15
	3.17 Collegamento	16
	3.18 Modalità DMX	16
	3.19 Indirizzamento DMX	16
	3.20 Collegamenti della linea DMX	17
	3.21 Costruzione del terminatore DMX	17
	3.22 Canali DMX	18
	4 Manutenzione	
	4.1 Manutenzione e pulizia del sistema ottico	19
	4.2 Sostituzione fusibile	19

-
- Contenuto dell'imballo:**
- SMARTBAT
 - Cavo di alimentazione
 - Telecomando IR
 - Manuale utente
-




ATTENZIONE! Prima di effettuare qualsiasi operazione con l'unità, leggere con attenzione questo manuale e conservarlo accuratamente per riferimenti futuri. Contiene informazioni importanti riguardo l'installazione, l'uso e la manutenzione dell'unità.



SICUREZZA

Avvertenze generali

- I prodotti a cui questo manuale si riferisce sono conformi alle Direttive della Comunità Europea e pertanto recano la sigla **CE**.
- Il dispositivo funziona con pericolosa tensione di rete 230V~. Non intervenire mai al suo interno al di fuori delle operazioni descritte nel presente manuale; esiste il pericolo di una scarica elettrica.
- È obbligatorio effettuare il collegamento ad un impianto di alimentazione dotato di un'efficiente messa a terra (apparecchio di Classe I secondo norma EN 60598-1). Si raccomanda, inoltre, di proteggere le linee di alimentazione delle unità dai contatti indiretti e/o cortocircuiti verso massa tramite l'uso di interruttori differenziali opportunamente dimensionati.
- Le operazioni di collegamento alla rete di distribuzione dell'energia elettrica devono essere effettuate da un installatore elettrico qualificato. Verificare che frequenza e tensione della rete corrispondono alla frequenza ed alla tensione per cui l'unità è predisposta, indicate sulla targhetta dei dati elettrici.
- L'unità non per uso domestico, solo per uso professionale.
- Evitare di utilizzare l'unità:
 - in luoghi soggetti a vibrazioni, o a possibili urti;
 - in luoghi soggetti ad eccessiva umidità.
- Evitare che nell'unità penetrino liquidi infiammabili, acqua o oggetti metallici.
- Non smontare e non apportare modifiche all'unità.
- Tutti gli interventi devono essere sempre e solo effettuati da personale tecnico qualificato. Rivolgersi al più vicino centro di assistenza tecnica autorizzato.
- Se si desidera eliminare il dispositivo definitivamente, consegnarlo  per lo smaltimento ad un'istituzione locale per il riciclaggio.

Attenzioni e precauzioni per l'installazione

- Se il dispositivo dovesse trovarsi ad operare in condizioni differenti da quelle descritte nel presente manuale, potrebbero verificarsi dei danni; in tal caso la garanzia verrebbe a decadere. Inoltre, ogni altra operazione potrebbe provocare cortocircuiti, incendi, scosse elettriche, rotture etc.
- Prima di iniziare qualsiasi operazione di manutenzione o pulizia sull'unità togliere la tensione dalla rete di alimentazione.
- È assolutamente necessario proteggere l'unità per mezzo di una fune di sicurezza. Nell'eseguire qualsiasi intervento attenersi scrupolosamente a tutte le normative (in materia di sicurezza) vigenti nel paese di utilizzo.
- Installare l'unità in un luogo ben ventilato.
- Mantenere i materiali infiammabili ad una distanza di sicurezza dall'unità.
- I filtri, le lenti o gli schermi ultravioletti se danneggiati possono limitare la loro efficienza.
- I LED devono essere sostituiti se danneggiati o termicamente deformati.
- Non guardare direttamente il fascio luminoso. Tenete presente che i veloci cambi di luce possono provocare attacchi d'epilessia presso persone fotosensibili o epilettiche.
- Non toccare l'alloggiamento del prodotto quando è in funzione perché potrebbe essere molto caldo.
- Questo prodotto è stato progettato e costruito esclusivamente per l'utilizzo indicato in questa documentazione. Qualsiasi altro utilizzo non espressamente indicato potrebbe pregiudicare la funzionalità del prodotto e/o rappresentare fonte di pericolo.
- Si declina qualsiasi responsabilità derivata dall'uso improprio del prodotto.

- 1 - INTRODUZIONE

1.1 DESCRIZIONE

SMARTBAT è un apparecchio senza fili concepito per cambiare le regole nel campo degli apparecchi a batteria per l'illuminazione di eventi, unendo le sue prestazioni e il buon design in dimensioni compatte e con un prezzo che lo rende accessibile per ogni tipo di evento. Può essere controllato a distanza tramite il protocollo Dmx wireless proprietario, il controller IR o l'APP mobile SmartColors, rendendolo adatto a tutti i livelli di utenti.

Features:

1.2 SPECIFICHE TECNICHE

SORGENTE LUMINOSA

- Sorgente: 4x8W RGBW LEDs
- Flusso luminoso: 1127lm
- Lux: 833lux @3m full
- Durata media sorgente: >50.000 h

OTTICA

- Angolo di proiezione: 13°
- Angolo di campo: 30°
- Diametro: 42mm
- Ottiche aggiuntive: 25° and 45° optional

SISTEMA COLORE

- Miscelazione del colore: RGBW/FC
- Preset bianchi: 3200~10000K
- Ruota colori: ruota colori virtuale con preset

EFFETTI DINAMICI

- Modalità colore statico: riproduzione statica di un colore
- Modalità colore manuale: regolazione manuale di un colore
- Auto mode: programmi integrati con regolazione della velocità di esecuzione

CORPO

- Tilt angle: ° supporto del piede regolabile per la regolazione dell'inclinazione (fino a 20 °)
- Corpo: corpo in alluminio pressofuso ad alta resistenza
- Colore: nero, variante con finitura bianca disponibile

CONTROLLO

- Protocolli: DMX512
- Canali DMX: 4/6/10channel
- W-DMX: integrato, protocollo proprietario compatibile con WIFIBOX e WDBOX
- Display: display LED
- Aggiornamento firmware: sì, con interfaccia USB-DMX (UPBOX1) non inclusa
- IR: controllo remoto tramite IR
- Master/Slave: per il controllo di più unità collegate in catena

ELETTRONICA

- Dimmer: 0~100% lineare, elettronico
- Curve dimmer: 4 curve dimmer regolabili
- Strobo / shutter: 1-25 Hz, elettronico
- Temperatura d'esercizio: 0° ~ +35°
- Flicker: funzionamento senza sfarfallio

ALIMENTAZIONE

- Alimentazione elettrica: 100-240V – 50/60Hz
- Potenza assorbita (a 230V): 30W
- Potenza assorbita (a 120V): 31W

BATTERIA

- Batteria: 24V litio
- Autonomia in modalità cambia colori, fino a: 12h
- Autonomia in modalità full white, fino a: 8h
- Connessione di ricarica: cavo di alimentazione
- Tempo di ricarica: 5h/max
- Stato della batteria: indicatore di stato batteria

CARATTERISTICHE FISICHE

- Raffreddamento: proiettore privo di ventole e struttura disegnata per una dissipazione a convezione naturale
- Sospensione e fissaggio: inserto filettato M12 per clamp
- Connessione di segnale: XLR 3p IN/OUT connectors
- Connessione di alimentazione:
- Grado IP: 33
- Dimensioni (LxAxP): 138x186x145mm
- Peso: 3.4kg

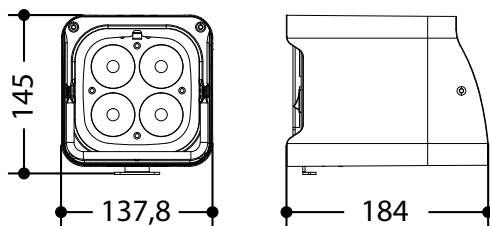


Fig.1

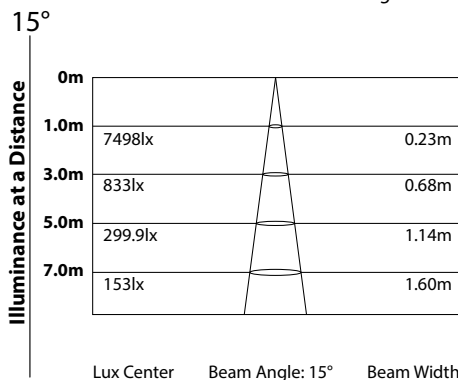
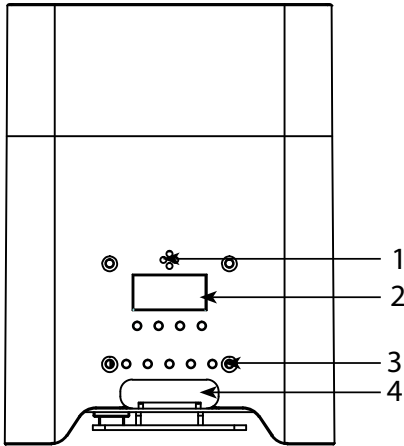
Diagramma di luminosità

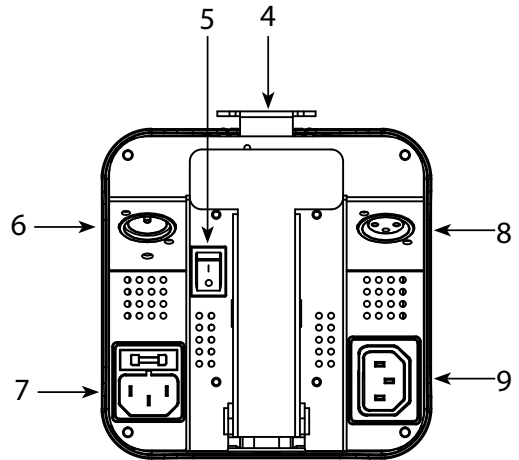
Fig.2

1.3 ELEMENTI DI COMANDO E COLLEGAMENTI



Pannello Laterale

Fig.3



Pannello Inferiore

Fig.4

1. MICROFONO per il comando tramite musica.
2. PANNELLO DI CONTROLLO con display e 4 pulsanti per accesso e gestione delle diverse funzioni.
3. LED DI CONTROLLO CARICA BATTERIA.
4. Piede estraibile per inclinazione tilt (fino a 20°).
5. Interruttore ON/OFF.
6. DMX IN (XLR a 3 poli):
1 = massa, 2 = DMX -, 3 = DMX +.
7. POWER IN spina da pannello VDE per il collegamento ad una presa di rete

(110-240V~/50-60Hz) tramite il cavo di rete in dotazione. Accanto alla spina si trova il portafusibile. Sostituire un fusibile difettoso solo con uno dello stesso tipo.

8. DMX OUT (XLR a 3 poli):
1= massa, 2 = DMX -, 3 = DMX +.
9. POWER OUT output alimentazione per connessioni di più unità in serie.

- 2 - INSTALLAZIONE

2.1 MONTAGGIO

Lo SMARTBAT può essere collocato su un piano solido. Inoltre, grazie alla possibilità di fissaggio mediante il foro filettato presente sul cabinet (fig.5), l'unità può essere montata anche a testa in giù, su una traversa. Per il fissaggio occorrono dei supporti robusti per il montaggio. L'area di collocazione deve avere una stabilità sufficiente e supportare almeno 10 volte il peso dell'unità. Inoltre assicurarsi di rispettare tutte le avvertenze in materia di sicurezza.

IMPORTANTE

È assolutamente necessario assicurare il proiettore contro la caduta utilizzando un cavo di sicurezza: in particolare collegare il cavo in un punto adatto in modo che la caduta del proiettore non possa superare i 20 cm.

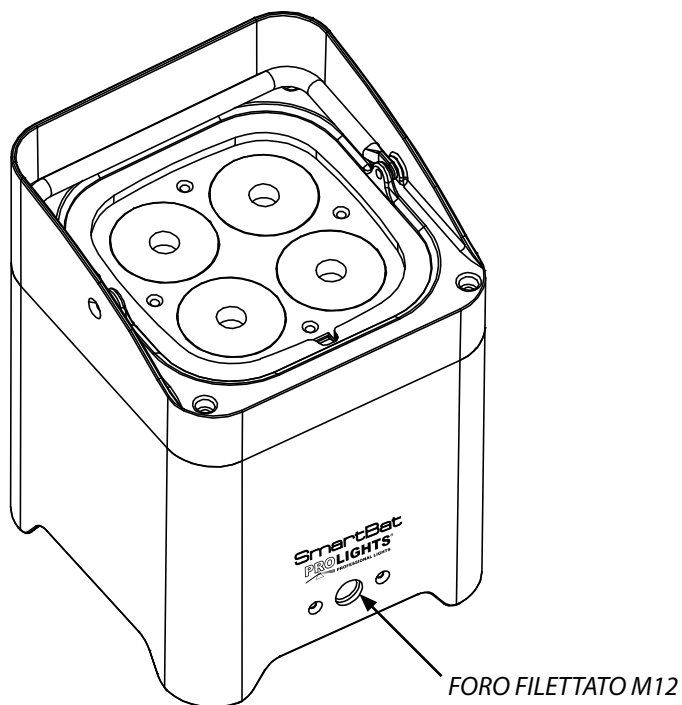


Fig.5

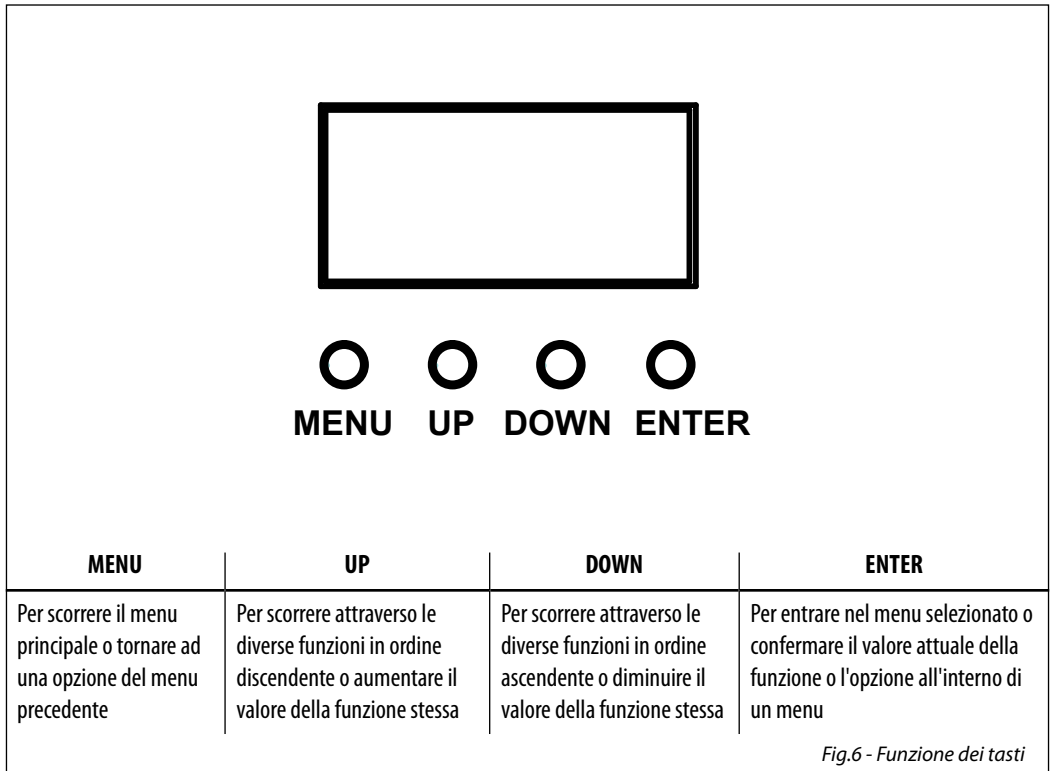
- 3 - FUNZIONI E IMPOSTAZIONI

3.1 FUNZIONAMENTO

Per accendere lo SMARTBAT premere l'interruttore ON/OFF (se la batteria è scarica, inserire la spina del cavo di alimentazione in una presa di rete (100-240V~/50-60Hz). L'unità può essere comandata da un'unità DMX di comando luce oppure svolgere autonomamente il suo programma. Dopo l'uso spegnere l'unità attraverso il medesimo interruttore.

3.2 IMPOSTAZIONE BASE

Lo SMARTBAT dispone di un LED display e 4 pulsanti per accesso alle funzioni del pannello di controllo (fig.6).



3.3 PROCESSO DI RICARICA

Per ricaricare lo SMARTBAT, inserire la spina del cavo di alimentazione in una presa di rete (100-240V~/50-60Hz). Sull'unità si accenderà il LED per indicare che è in atto il processo di ricarica della batteria.

NOTA - I tempo di è pari a 5h mentre l'autonomia è di 8h.

3.4 STRUTTURA MENU

	MENU (LEVEL 1)	(LEVEL 2)	(LEVEL 3)
1	4 CH	d1 ~ d512	
2	6 CH	d1 ~ d512	
3	10 CH	d1 ~ d512	
4	C--	C1 C2 C3 C4 C5 C6 C7 C8 C9 C10 C11 C12 C13 C14 C15	
5	P--	P1 P2 P3 P4	
6	S--	S1 ~ S100	
7	Snd		
8	Sens	u0 ~ u100	
9	U--	r0 ~ r255 g0 ~	

		g255 b0 ~ b255 wo ~ w255	
10	dlM	OFF dim1 dlM2 dlM3	
11	SET	ON OFF	
12	S-tr	drAS drCH dtAS dtCH	drAU dr 1 ~ dr16 dtAU dt 1 ~ dt16

3.5 AUTOSHOW

Per entrare nella modalità automatica e permettere all'unità di svolgere il suo programma Show autonomamente:

- Premere il tasto MENU fino a quando sul display non appare [P--].
- Premere il tasto ENTER per confermare la scelta.
- Usare i tasti UP/DOWN per selezionare il programma [P1 - P4].
- Premere il tasto ENTER per salvare l'impostazione.

3.6 VELOCITÀ SHOW

Per impostare la velocità dello show far riferimento alla seguente procedura:

- Premere il tasto MENU fino a quando sul display non appare [S--].
- Usare i tasti UP/DOWN per selezionare il valore [S1 - S100].
- Premere il tasto ENTER per salvare l'impostazione.

3.7 STATIC COLOR

L'unità dispone di preset colori pre-programmati che possono essere impostati attraverso la seguente procedura:

- Premere il tasto MENU fino a quando sul display non appare [C--].
- Premere il tasto ENTER per confermare la scelta.
- Utilizzare i tasti UP/DOWN per selezionare uno dei preset [C1 - C15].
- Premere il tasto ENTER per salvare l'impostazione..

3.8 MODALITÀ MUSICALE

Per impostare la modalità musicale far riferimento alla seguente procedura:

- Premere il tasto MENU fino a quando sul display non appare **[Snd]**.
- Premere il tasto ENTER per salvare l'impostazione.

3.9 SENSIBILITÀ MICROFONO

Per impostare la sensibilità del microfono far riferimento alla seguente procedura:

- Premere il tasto MENU fino a quando sul display non appare **[Sens]**.
- Usare i tasti UP/DOWN per selezionare il valore **[u1 - u100]**.
- Premere il tasto ENTER per salvare l'impostazione.

3.10 MANUAL COLOR

Per impostare il bilanciamento personalizzato dei colori far riferimento alla seguente procedura:

- Premere il tasto MENU fino a quando sul display non appare **[U--]**.
- Premere il tasto ENTER per confermare.
- Selezionare il colore rosso, verde, blue, bianco (**r, g, b, w**) attraverso il tasto ENTER.
- Utilizzare i tasti UP/DOWN per impostare il valore desiderato **[000 - 255]**.
- Premere il tasto ENTER per confermare e passare al successivo colore.
- Continuare fino ad ottenere la miscelazione del colore.

3.11 IMPOSTAZIONI IR

Per l'accensione del ricevitore ad infrarossi far riferimento alla seguente procedura:

- Premere il tasto MENU fino a quando sul display non appare **[Set]**.
- Premere il tasto ENTER per confermare la scelta.
- Usare i tasti UP/DOWN per selezionare il valore **[ON]** oppure **[OFF]**.
- Premere il tasto ENTER per salvare l'impostazione.

NOTA - Assicurarsi di puntare il telecomando direttamente verso il ricevitore dell'unità.

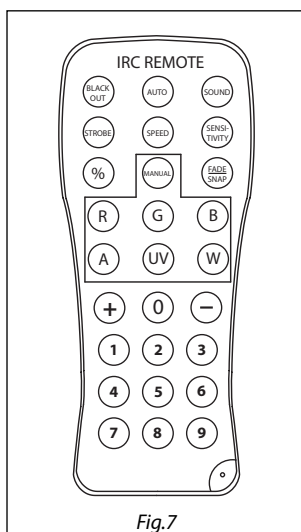


Fig.7

3.12 MODALITÀ MASTER/SLAVE CON CAVO DI SEGNALE DMX

Questa modalità consente di collegare in linea più unità SMARTBAT senza un controller. La prima sarà impostata come master e le altre come slave.

- Servirsi dei connettori DMX dello SMARTBAT e di un cavo XLR per formare una catena di unità. In certe condizioni e lunghezze si consiglia di effettuare una terminazione come mostrato a pagina 18.
- Sull'unità master selezionare una delle modalità standalone.
- Impostare sulle unità slave la stessa configurazione canali DMX e lo stesso indirizzo.

3.13 MODALITÀ MASTER/SLAVE CON SEGNALE WIRELESS

Questa modalità consente di collegare in modalità wireless più unità SMARTBAT, senza un controller. La prima unità, trasmittitrice di segnale, sarà impostata come master e le altre, riceventi, come slave.

La comunicazione wireless tra i dispositivi può essere configurata in due modalità:

Modalità trasmissione/ricezione manuale

Sull'unità Master:

- Premere il tasto MENU fino a quando sul display non appare [S-tr].
- Premere il tasto ENTER per confermare la scelta.
- Usare i tasti UP/DOWN per selezionare il valore [dtCH].
- Premere il tasto ENTER per confermare la scelta.
- Premere il tasto UP/DOWN per selezionare il segnale per la trasmissione [dt 1 - dt 16].
- Premere il tasto ENTER per salvare l'impostazione.

Sull'unità Slave:

- Premere il tasto MENU fino a quando sul display non appare [S-tr].
- Premere il tasto ENTER per confermare la scelta.
- Usare i tasti UP/DOWN per selezionare il valore [drCH].
- Premere il tasto ENTER per confermare la scelta.
- Premere il tasto UP/DOWN per selezionare il segnale per la ricezione [dr 1 - dr 16].
- Premere il tasto ENTER per salvare l'impostazione.

Modalità trasmissione/ricezione automatica

Sull'unità Master:

- Premere il tasto MENU fino a quando sul display non appare [S-tr].
- Premere il tasto ENTER per confermare la scelta.
- Usare i tasti UP/DOWN per selezionare il valore [dtAS].
- Premere il tasto ENTER per confermare la scelta.
- Premere nuovamente il tasto ENTER per confermare [dtAU].

Sull'unità Slave:

- Premere il tasto MENU fino a quando sul display non appare [S-tr].
- Premere il tasto ENTER per confermare la scelta.
- Usare i tasti UP/DOWN per selezionare il valore [drAS].
- Premere il tasto ENTER per confermare la scelta.
- Premere nuovamente il tasto ENTER per confermare [drAU].

Sull'unità Master:

- Mantenere premuto il tasto AUTO.

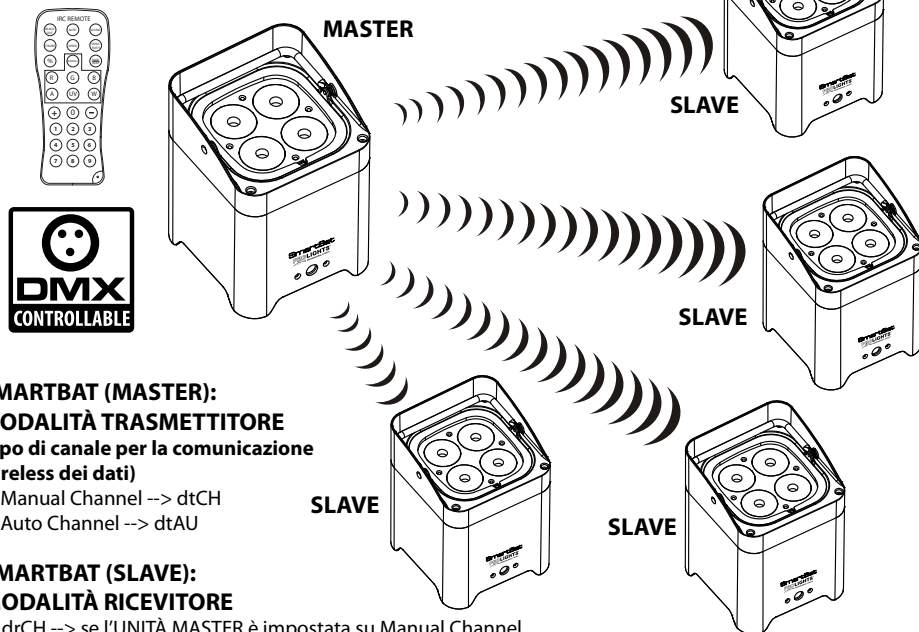
Sull'unità Slave:

- Mantenere premuto il tasto AUTO (continuare a mantenere premuto il tasto AUTO sull'unità Master).
- Rilasciare dopo 5 secondi il tasto AUTO sull'unità Slave.

Nota: Sull'unità master selezionare una delle modalità standalone. Impostare sulle unità slave la stessa configurazione canali DMX e lo stesso indirizzo.

SMARTBAT (MASTER): SEGNALE DI INGRESSO

- 1) DMX (con un Controller DMX)
- 2) Pannello di controllo sul dispositivo
- 3) Telecomando IR



**SMARTBAT (MASTER):
MODALITÀ TRASMETTITORE**
(tipo di canale per la comunicazione wireless dei dati)

- 1) Manual Channel --> dtCH
- 2) Auto Channel --> dtAU

**SMARTBAT (SLAVE):
MODALITÀ RICEVITORE**

- 1) drCH --> se l'UNITÀ MASTER è impostata su Manual Channel
- 2) drAU --> se l'UNITÀ MASTER è impostata su Auto Channel

Nota: Per funzionare correttamente, tutti gli SMARTBAT devono essere configurati con lo stesso indirizzo e modalità DMX.

Fig.8 - Configurazione modalità Master/Slave

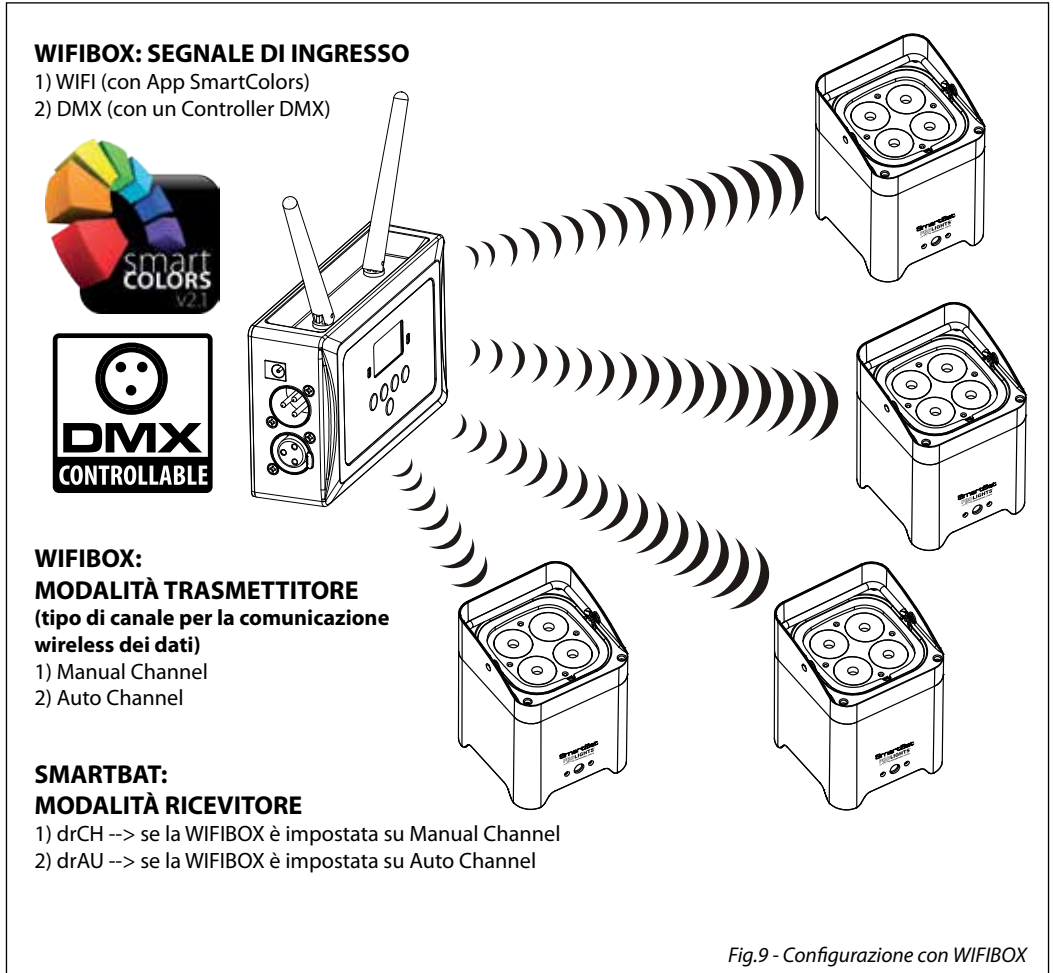
3.14 FUNZIONAMENTO CON APP "SMARTCOLORS"

Importante: per utilizzare questa applicazione è necessaria un'unità WIFIBOX (acquistabile separatamente). WIFIBOX è un dispositivo di controllo di nuova concezione ideato per avere una gestione versatile ed immediata per proiettori LED. La trasmissione del segnale avviene tramite cavo e Wireless via Wi-Fi, entrambi sia in uscita che ingresso, permettendo il controllo in remoto dei proiettori attraverso l'applicazione SmartColors, disponibile sia per dispositivi Android che iOS. Prima di utilizzare questa applicazione, controllare che tutti i dispositivi da utilizzare siano configurati correttamente con la WIFIBOX. Per la configurazione dei dispositivi fare riferimento al manuale della WIFIBOX disponibile sul sito "www.musiclights.it".



3.15 FUNZIONAMENTO CON WIFIBOX

Questa modalità consente di collegare in modalità wireless più unità SMARTBAT, tutte gestite attraverso un'unità WIFIBOX (acquistabile separatamente). Per l'unità WIFIBOX, trasmittitrice di segnale, sarà impostato il segnale di ingresso, WIFI o DMX. Per la configurazione dei dispositivi fare riferimento al manuale della WIFIBOX disponibile sul sito "www.musiclights.it".



3.16 FUNZIONE DIMMER

- Per entrare nella modalità dimmer e scegliere e simulare diverse curve dimming, premere il tasto MENU ripetutamente fino a quando sul display non compare [DIM], quindi premere il tasto ENTER.
- Premere il tasto UP/DOWN per selezionare [OFF - DIM1 - DIM2 - DIM3].
- Premere il tasto ENTER per confermare la scelta.
- Premere il tasto MENU per tornare indietro o attendere alcuni secondi per uscire dal menu di impostazione.

3.17 COLLEGAMENTO

1. Collegare l'uscita DMX OUT dell'unità principale con l'ingresso DMX IN della prima unità secondaria servendosi di un cavo XLR a 3 poli.
2. Collegare l'uscita DMX OUT della prima unità secondaria con l'ingresso DMX IN della seconda unità secondaria ecc.

3.18 MODALITÀ DMX

- Per poter entrare nella modalità DMX, premere il tasto MENU fino a quando sul display non appare [CH4], [CH6] o [CH10], quindi premere ENTER per confermare.
- Utilizzare i tasti UP/DOWN per impostare l'indirizzo DMX desiderato [d001 - d512]. Tenere premuto per lo scorrimento veloce.
- Premere ENTER per confermare

Le tabelle a pagina 19 indicano le modalità di funzionamento e i relativi valori DMX. Come interfaccia DMX, l'unità possiede dei contatti XLR a 3 poli.

3.19 INDIRIZZAMENTO DMX

Per poter comandare lo SMARTBAT con un'unità di comando luce, occorre impostare l'indirizzo di start DMX per il primo canale DMX. Se, per esempio, sull'unità di comando è previsto l'indirizzo 33 per comandare la funzione del primo canale DMX, si deve impostare sul SMARTBAT l'indirizzo di start 33. Le altre funzioni del pannello saranno assegnate automaticamente agli indirizzi successivi. A pagina seguente un esempio con indirizzo 33 di start:

Numero canali DMX	Indirizzo di start (esempio)	Indirizzo DMX occupati	Prossimo indirizzo di start possibile per unità n°1	Prossimo indirizzo di start possibile per unità n°2	Prossimo indirizzo di start possibile per unità n°3
4	33	33-36	37	41	45
6	33	33-38	39	45	51
10	33	33-42	43	53	63

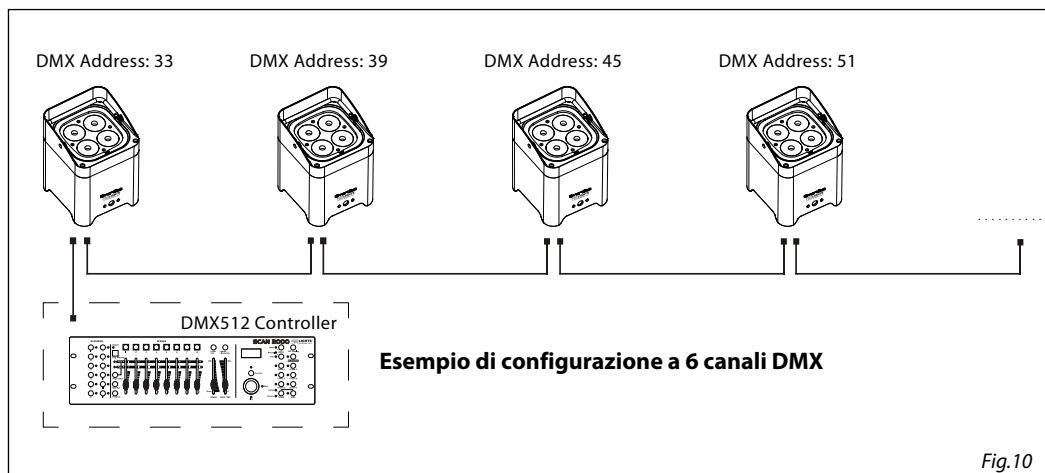
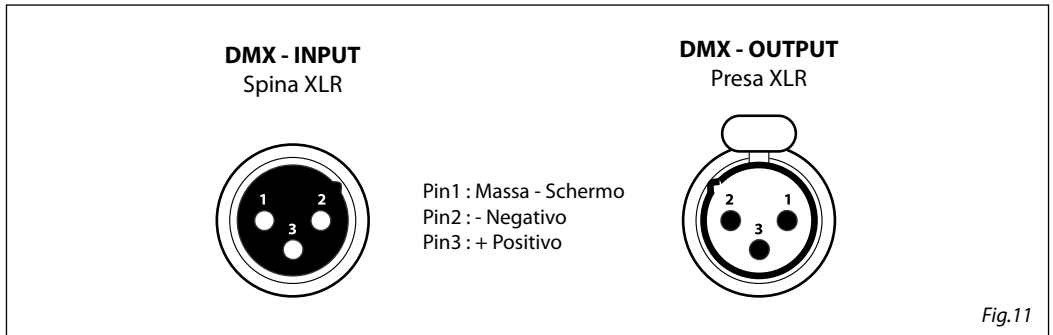


Fig.10

3.20 COLLEGAMENTI DELLA LINEA DMX

La connessione DMX è realizzata con connettori standard XLR. Utilizzare cavi schermati, 2 poli ritorti, con impedenza 120Ω e bassa capacità.

Per il collegamento fare riferimento allo schema di connessione riportato di seguito:



ATTENZIONE

La parte schermata del cavo (calza) non deve mai essere collegata alla terra dell'impianto; ciò comporterebbe malfunzionamenti delle unità e dei controller.

Per passaggi lunghi può essere necessario l'inserimento di un amplificatore DMX.

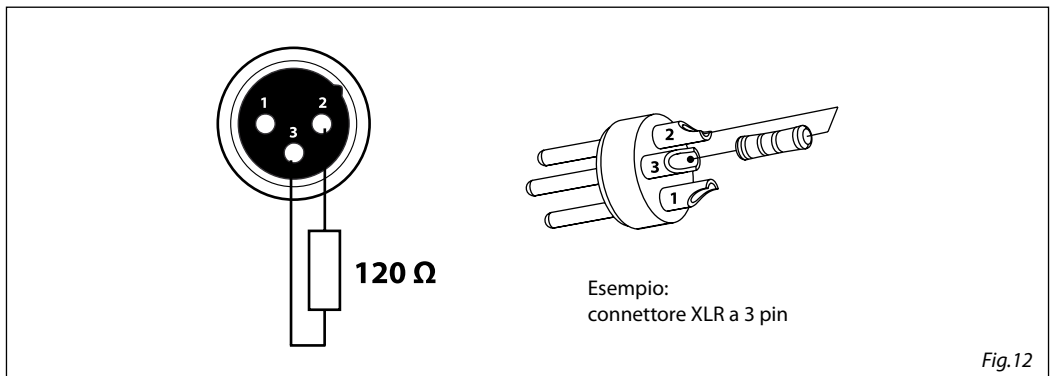
In tal caso, è sconsigliato utilizzare nei collegamenti cavo bilanciato microfonico poiché non è in grado di trasmettere in modo affidabile i dati di controllo DMX.

- Collegare l'uscita DMX del controller con l'ingresso DMX della prima unità;
- Collegare, quindi, l'uscita DMX con l'ingresso DMX della successiva unità; l'uscita di quest'ultima con l'ingresso di quella successiva e via dicendo finché tutte le unità sono collegate formando una catena.
- Per installazioni in cui il cavo di segnale deve percorrere lunghe distanze è consigliato inserire sull'ultima unità una terminazione DMX.

3.21 COSTRUZIONE DEL TERMINATORE DMX

La terminazione evita la probabilità che il segnale DMX 512, una volta raggiunta la fine della linea stessa venga riflesso indietro lungo il cavo, provocando, in certe condizioni e lunghezze, la sua sovrapposizione al segnale originale e la sua cancellazione.

La terminazione deve essere effettuata, sull'ultima unità della catena, con connettori XLR a 3 pin, saldando una resistenza di 120Ω (minimo 1/4W) tra i terminali 2 e 3, così come indicato in figura.



3.22 CANALI DMX

MODE 10 Ch	FUNCTION	DMX Value
1	DIMMER 0~100%	000 - 255
2	RED 0~100%	000 - 255
3	GREEN 0~100%	000 - 255
4	BLUE 0~100%	000 - 255
5	WHITE 0~100%	000 - 255
6	COLOR COLOR + COLOR TEMPERATURE No Function R 100% G 0~100% B 0 R 100%~0 G 100% B 0 R 0 G 100% B 0~100% R 0 G 100%~0 B 100% R 0~100% G 0 B 100% R 100% G 0 B 100%~0 R 100% G 0~100% B 0~100% R 100%~0 G 100%~0 B 100% R 100% G 100% B 100% W 100% Color temperature 1 Color temperature 2 Color temperature 3 Color temperature 4 Color temperature 5 Color temperature 6 Color temperature 7 Color temperature 8 Color temperature 9 Color temperature 10 Color temperature 11	000-010 011-030 031-050 051-070 071-090 091-110 111-130 131-150 151-170 171-200 201-205 206-210 211-215 216-220 221-225 226-230 231-235 236-240 241-245 246-250 251-255
7	STROBE No Function Strobe slow to fast	000 - 010 011 - 255
8	AUTO/SOUND PROGRAMS No Function Auto Program 1 Auto Program 2 Auto Program 3 Auto Program 4	000-010 011-060 061-120 121 - 180 181 - 240

MODE 10 Ch	FUNCTION	DMX Value
8	Sound show	241 - 255
9	AUTO SPEED Speed slow to fast	000 - 255
10	DIM MODE Preset dimmer speed from display menu Dimmer speed mode off Dimmer speed mode1 (fast speed) Dimmer speed mode2 (middle speed) Dimmer speed mode3 (slow speed)	000-051 052-101 102-152 153-203 204-255

MODE 4 Ch	FUNCTION	DMX Value
1	RED 0~100%	000 - 255
2	GREEN 0~100%	000 - 255
3	BLUE 0~100%	000 - 255
4	WHITE 0~100%	000 - 255

MODE 6 Ch	FUNCTION	DMX Value
1	DIMMER 0~100%	000 - 255
2	RED 0~100%	000 - 255
3	GREEN 0~100%	000 - 255
4	BLUE 0~100%	000 - 255
5	WHITE 0~100%	000 - 255
6	STROBE No Function Strobe slow to fast	000 - 010 011 - 255

- 4 - MANUTENZIONE

4.1 MANUTENZIONE E PULIZIA DEL SISTEMA OTTICO

- Durante gli interventi, assicurarsi che l'area sotto il luogo di installazione sia libera da personale non qualificato.
- Spegnerne l'unità, scollegare il cavo di alimentazione ed aspettare finché l'unità non si sia raffreddata.
- Tutte le viti utilizzate per l'installazione dell'unità e le sue parti devono essere assicurate saldamente e non devono essere corrose.
- Alloggiamenti, elementi di fissaggio e di installazione (soffitto, truss, sospensioni) devono essere totalmente esenti da qualsiasi deformazione.
- I cavi di alimentazione devono essere in condizione impeccabile e devono essere sostituiti immediatamente nel momento in cui anche un piccolo problema viene rilevato.
- Si dovrebbe procedere, ad intervalli regolari, alla pulizia della parte frontale per asportare polvere, fumo e altre particelle. Solo così, la luce può essere irradiata con la luminosità massima. Per la pulizia usare un panno morbido, pulito e un detergente per vetri come si trovano in commercio. Quindi asciugare le parti delicatamente.

4.2 SOSTITUZIONE FUSIBILE

1. Assicurarsi di scollegare il cavo di alimentazione del proiettore prima di sostituire un fusibile bruciato con uno dello stesso tipo e valore.
2. Con un cacciavite, rimuovere il portafusibile dalla sua sede e il fusibile bruciato dal suo supporto; sostituire il fusibile con uno identico per tipologia e valore.
3. Inserire il portafusibile al suo posto e ricollegare l'alimentazione.

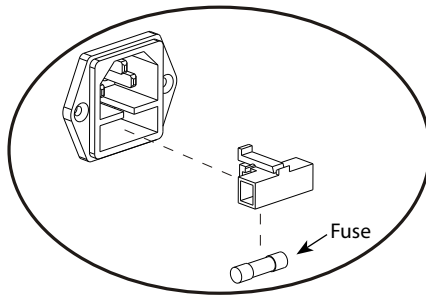


Fig.13

Guida all'uso della batteria

Inizializzazione di una nuova batteria

Ogni nuovo faro contenente una batteria al litio, dovrebbe essere inizializzata al primo utilizzo per massimizzarne l'efficienza.

Per fare questo:

1. Caricare completamente l'unità per un minimo di 5-6 ore.
 2. Scaricare completamente, quindi ricaricare completamente la batteria
 3. Ripetere questo ciclo altre 2 volte per ottenere una durata ottimale della batteria.
-

Ottimizza le prestazioni della batteria

1. Le batterie al litio funzionano in modo ottimale quando vengono utilizzate regolarmente. Lunghi periodi con batteria al minimo riducono la durata della batteria.
 2. Ricaricare la batteria appena possibile, lasciare le batterie scariche per lunghi periodi, riduce la durata della batteria.
 3. Conservare le unità contenenti batterie al litio a temperature fredde. Una temperatura ambientale troppo alta riduce notevolmente la durata di una batteria al litio.
 4. Scollegare l'alimentazione dall'unità quando la ricarica è completa.
 5. Non utilizzare durante il caricamento.
-

Se non lo usi per molto tempo

1. Carica la batteria circa al 50%. Un dispositivo con la batteria completamente scarica, potrebbe esaurirsi al punto da rendere impossibile una nuova ricarica. Se invece il dispositivo resta inattivo per un lungo periodo con la carica al 100%, la capacità della batteria potrebbe deteriorarsi e la sua autonomia potrebbe risentirne.
2. Spegni il dispositivo, in modo da impedire che la batteria continui a essere utilizzata.
3. Riponi il dispositivo in un luogo fresco e asciutto, a una temperatura inferiore ai 32 °C.

