

Photometric Test Report



MOSAICOFX100FC

Image projector with dual animation wheel
1 gobo/color slot, 100W RGBW LED source

CONTENTS

| | |
|--|----|
| Table of contents | 2 |
| Testing process | 4 |
| Preset Full on | |
| Water effect and Gobo Narrow Optic 15° (LWGN) | 5 |
| Water effect Medium Optic 30° (LWTM) | 8 |
| Water effect Wide Optic 50° (LWTW) | 11 |
| Water effect and Gobo Super Wide Optic 70° (LWGVW) | 14 |
| Gobo projection Medium Optic 30° (LGBM) | 17 |
| Gobo projection Wide Optic 50° (LGBW) | 20 |
| Preset Red | |
| Water effect and Gobo Narrow Optic 15° (LWGN) | 23 |
| Water effect Medium Optic 30° (LWTM) | 26 |
| Water effect Wide Optic 50° (LWTW) | 29 |
| Water effect and Gobo Super Wide Optic 70° (LWGVW) | 32 |
| Gobo projection Medium Optic 30° (LGBM) | 35 |
| Gobo projection Wide Optic 50° (LGBW) | 38 |
| Preset Green | |
| Water effect and Gobo Narrow Optic 15° (LWGN) | 41 |
| Water effect Medium Optic 30° (LWTM) | 44 |
| Water effect Wide Optic 50° (LWTW) | 47 |
| Water effect and Gobo Super Wide Optic 70° (LWGVW) | 50 |
| Gobo projection Medium Optic 30° (LGBM) | 53 |
| Gobo projection Wide Optic 50° (LGBW) | 56 |
| Preset Blue | |
| Water effect and Gobo Narrow Optic 15° (LWGN) | 59 |
| Water effect Medium Optic 30° (LWTM) | 62 |
| Water effect Wide Optic 50° (LWTW) | 65 |
| Water effect and Gobo Super Wide Optic 70° (LWGVW) | 68 |
| Gobo projection Medium Optic 30° (LGBM) | 71 |
| Gobo projection Wide Optic 50° (LGBW) | 74 |

Preset White

| | |
|--|----|
| Water effect and Gobo Narrow Optic 15° (LWGN) | 77 |
| Water effect Medium Optic 30° (LWTM) | 80 |
| Water effect Wide Optic 50° (LWTW) | 83 |
| Water effect and Gobo Super Wide Optic 70° (LWGVW) | 86 |
| Gobo projection Medium Optic 30° (LGBM) | 89 |
| Gobo projection Wide Optic 50° (LGBW) | 92 |

TESTING PROCESS

Prolights has its own optical testing laboratory in order to provide accurate photometric reports for its lighting products. The testing laboratory contains certain variety of precise lighting measurement systems that ensure an optimal reading of all the characteristic parameters of the lighting devices. All measurements are made at a controlled room temperature of 20°C without any external light sources. This photometric report is obtained through the data measured by a high precision measurement system and analyzed by a dedicate software.

Prolights measurement instrument

Prolights measurement instrument is a complete measurement system for any light source. It's equipped with two-axis goniometer, that enables to measure the full 3D distribution field of the light source. This instrument measures the light intensity, the beam angle and the most significative colors parameters, like color temperature, spectral distribution, CRI, CQS, TM-30 with a very high accuracy rate.

Please Note: All measurements are made with light source at operating temperature. Before starting the measurement, the instrument analyzes the process of the light source during the heating phase. The measuring process of all the parameters begins only when the light emission is stable, that is with a variation of less than 0.5% in a 15 minutes time frame.

Prolights measurement software

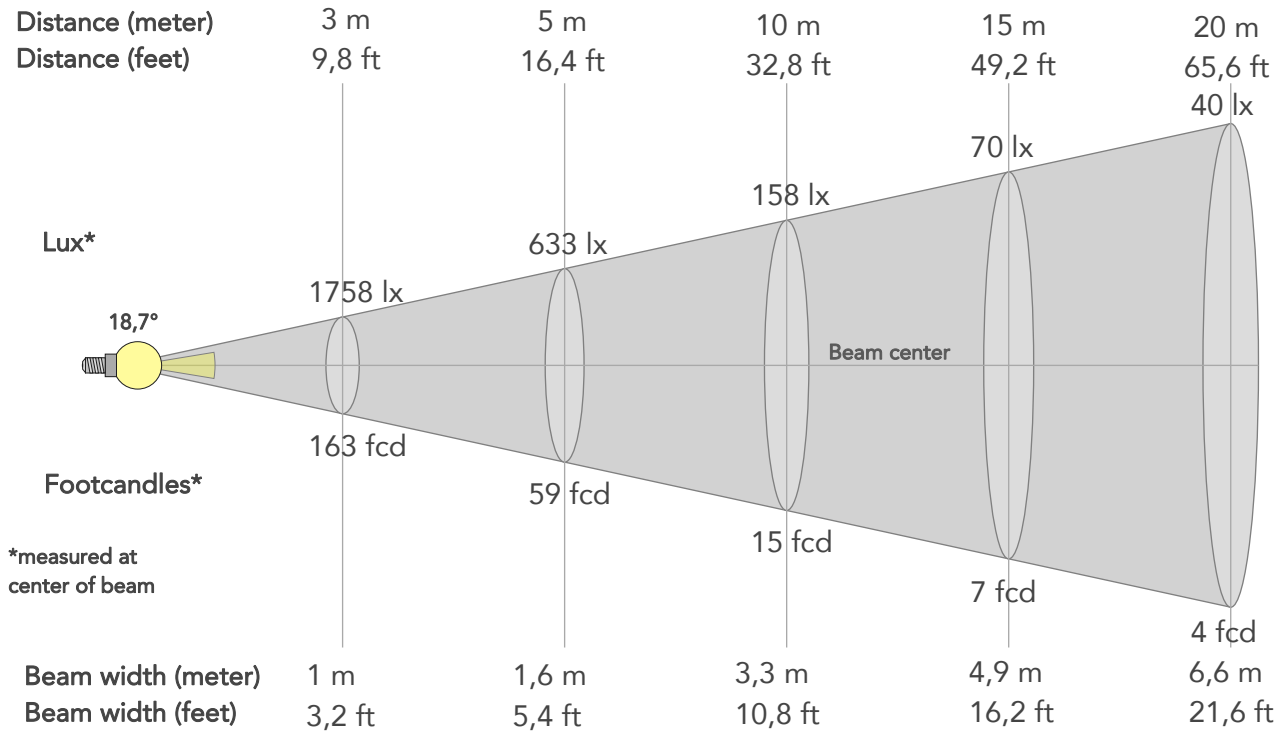
The software provides user friendly interface for the operator who does the measurements, and it also analyzes and processes all the collected data by the instrument. With this software it is possible to see the measured data in real-time and it is possible to examine all the measured data and graphics afterwards as well. All information is collected in a specific Prolights template, and the software creates also IES and LDT files, which are widely used to transfer the photometric data, and to develop lighting system.

Additionally, the fixtures are rechecked using various hand-held instruments like Sekonic C-700 and Gossen Mavospec Base, this is done to ensure, that the data in the photometric report are as accurate as possible.

BEAM DETAILS



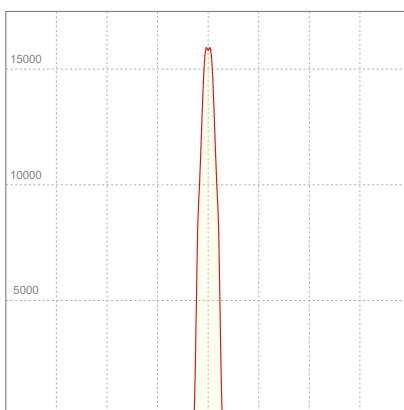
| | | | | |
|----------------|-----------------|--------------------|------------------------------|-----------------------------|
| Beam angle 50% | Field angle 10% | Cut off angle 2,5% | Intensity ratio in 120° cone | Intensity ratio in 90° cone |
| 18,7° | 23,5° | 24,5° | 99,7% | 99,7% |



BEAM INTENSITIES AND WIDTHS

| | | | | | | | | | | | | | |
|-----------|---------|--------|--------|--------|--------|--------|--------|--------|--------|------|--------|---------|-------|
| Distance | 1m | 2m | 3m | 4m | 5m | 7,5m | 10m | 15m | 20m | 25m | 30m | 40m | 50m |
| Distance | 3,3ft | 6,6ft | 9,8ft | 13,1ft | 16,4ft | 24,6ft | 32,8ft | 49,2ft | 65,6ft | 82ft | 98,4ft | 131,2ft | 164ft |
| Lux | 15820lx | 3955lx | 1758lx | 989lx | 633lx | 281lx | 158lx | 70lx | 40lx | 25lx | 18lx | 10lx | 6lx |
| Footcand. | 1470fcd | 367fcd | 163fcd | 92fcd | 59fcd | 26fcd | 15fcd | 7fcd | 4fcd | 2fcd | 2fcd | 1fcd | 1fcd |
| Beam wid. | 0,3m | 0,7m | 1m | 1,3m | 1,6m | 2,5m | 3,3m | 4,9m | 6,6m | 8,2m | 9,9m | 13,2m | 16,5m |
| Beam wid. | 1,1ft | 2,2ft | 3,2ft | 4,3ft | 5,4ft | 8,1ft | 10,8ft | 16,2ft | 21,6ft | 27ft | 32,4ft | 43,2ft | 54ft |

LINEAR DISTRIBUTION DIAGRAM

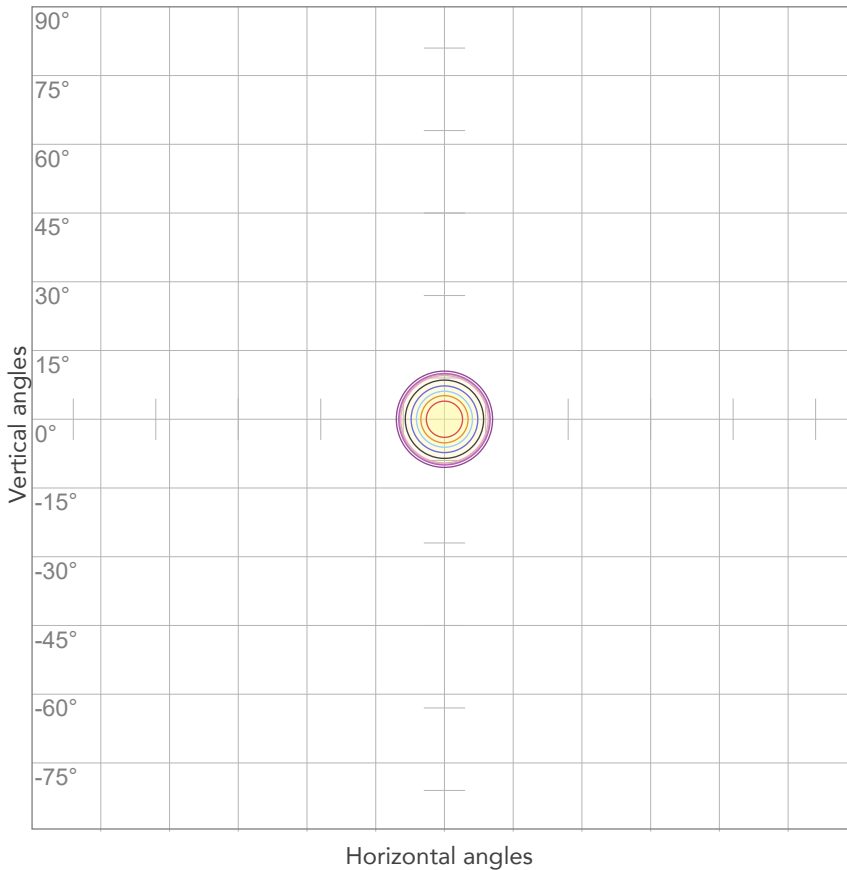


ELECTRICAL SPECIFICATIONS

| | | | |
|---------------|---------------|-------------|------------|
| Input voltage | Input current | Input power | Effeciency |
| 226V | 0,485A | 103,7W | 12lm/W |

| |
|----------|
| Power FC |
| 0,95 |

ISO CANDELA DIAGRAM



| | |
|-----|----------|
| 10% | 1582 cd |
| 20% | 3164 cd |
| 30% | 4746 cd |
| 40% | 6328 cd |
| 50% | 7910 cd |
| 60% | 9492 cd |
| 70% | 11074 cd |
| 80% | 12656 cd |

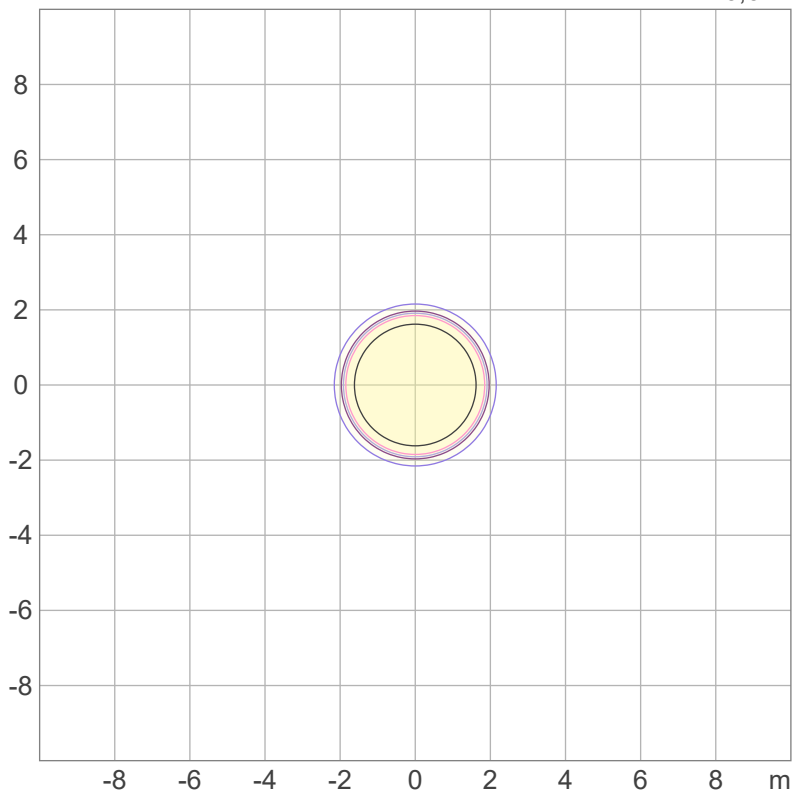
Conditions:

Number of c-planes: 2

Candela at center: 15820 cd

ISO LUX DIAGRAM

MH: 10,0 m



Mounting height: 10 meters (33 feet)

| | |
|-----|---------|
| 3% | 4,75 lx |
| 5% | 7,91 lx |
| 10% | 15,8 lx |
| 30% | 47,5 lx |
| 50% | 79,1 lx |

Conditions:

Number of c-planes: 2

Lux at center: 158 lx

Lux distribution on a surface when lamp is mounted at 10 meters from the surface.



Total lumen output:

1214 lm

Peak candela output:

9806 cd

PRODUCT NAME:

Mosaico FX100 FC

MEASUREMENT CONDITIONS:

Beam angle:

Optic 30° LWTM

Target:

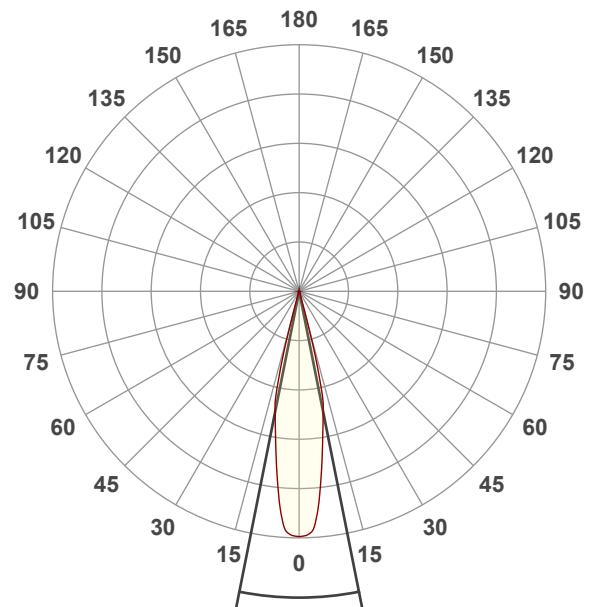
Full On

Operator:

Salvatore Giglio

Date and time:

11/01/2023 16:43:02

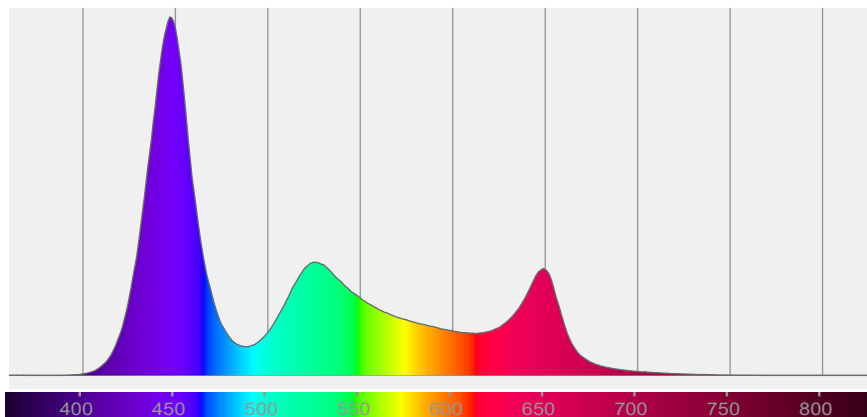


Beam angle 50%: 22,5°

Field angle 10%: 30,8°

Cut off angle 2.5%: 33,2°

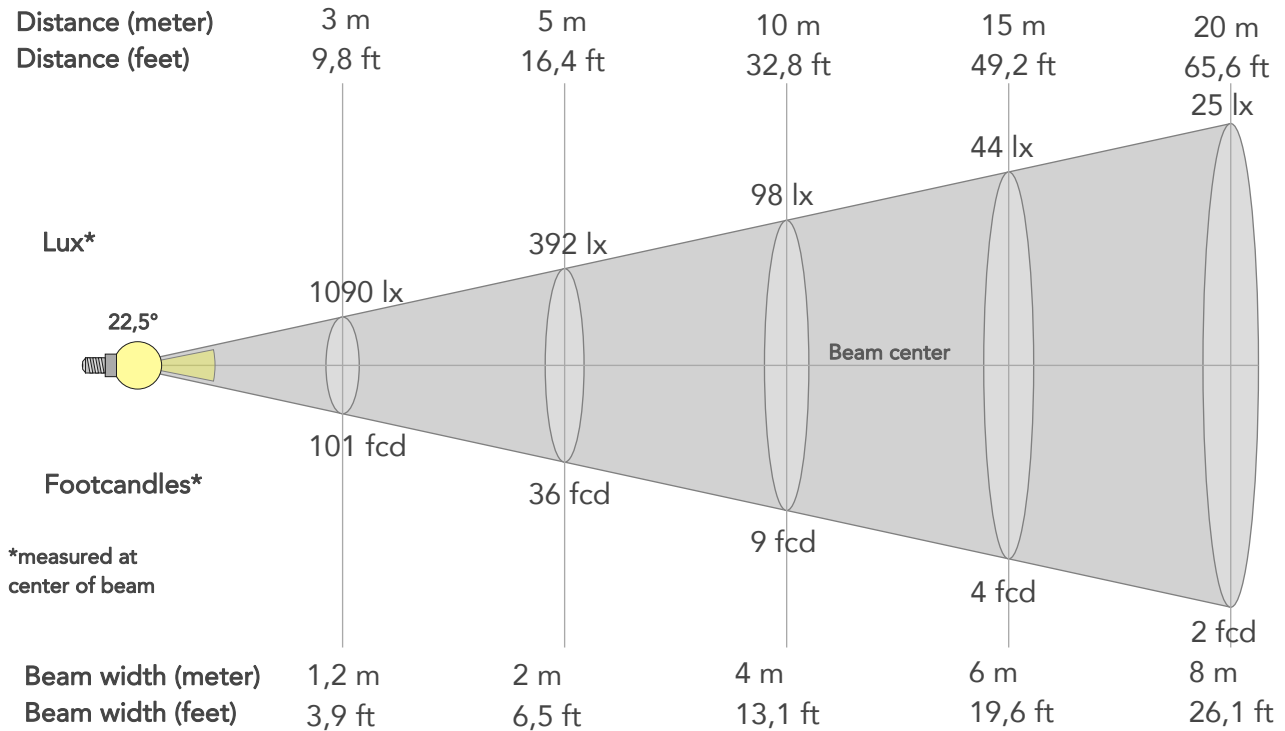
Spectra



BEAM DETAILS



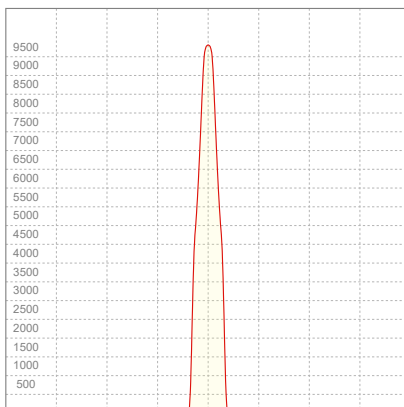
| | | | | |
|----------------|-----------------|--------------------|------------------------------|-----------------------------|
| Beam angle 50% | Field angle 10% | Cut off angle 2,5% | Intensity ratio in 120° cone | Intensity ratio in 90° cone |
| 22,5° | 30,8° | 33,2° | 98,8% | 98,8% |



BEAM INTENSITIES AND WIDTHS

| Distance | 1m | 2m | 3m | 4m | 5m | 7,5m | 10m | 15m | 20m | 25m | 30m | 40m | 50m |
|-----------|--------|--------|--------|--------|--------|--------|--------|--------|--------|--------|--------|---------|--------|
| Distance | 3,3ft | 6,6ft | 9,8ft | 13,1ft | 16,4ft | 24,6ft | 32,8ft | 49,2ft | 65,6ft | 82ft | 98,4ft | 131,2ft | 164ft |
| Lux | 9806lx | 2452lx | 1090lx | 613lx | 392lx | 174lx | 98lx | 44lx | 25lx | 16lx | 11lx | 6lx | 4lx |
| Footcand. | 911fcd | 228fcd | 101fcd | 57fcd | 36fcd | 16fcd | 9fcd | 4fcd | 2fcd | 1fcd | 1fcd | 1fcd | 0fcd |
| Beam wid. | 0,4m | 0,8m | 1,2m | 1,6m | 2m | 3m | 4m | 6m | 8m | 10m | 11,9m | 15,9m | 19,9m |
| Beam wid. | 1,3ft | 2,6ft | 3,9ft | 5,2ft | 6,5ft | 9,8ft | 13,1ft | 19,6ft | 26,1ft | 32,6ft | 39,2ft | 52,2ft | 65,3ft |

LINEAR DISTRIBUTION DIAGRAM

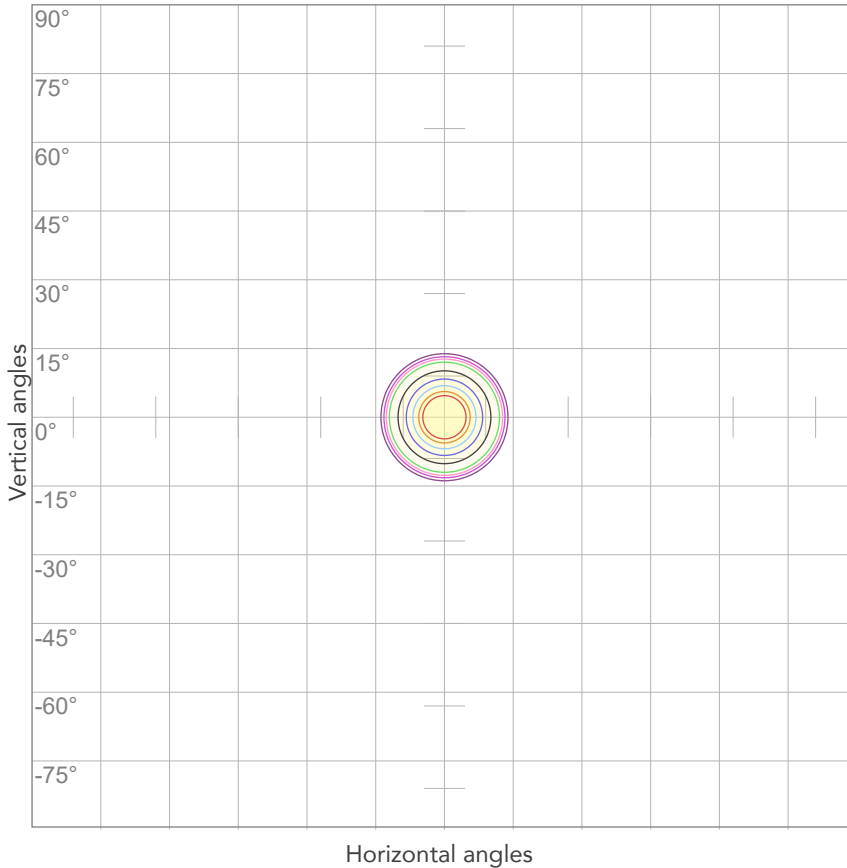


ELECTRICAL SPECIFICATIONS

| Input voltage | Input current | Input power | Effeciency |
|---------------|---------------|-------------|------------|
| 224V | 0,493A | 104,8W | 12lm/W |

| Power FC |
|----------|
| 0,95 |

ISO CANDELA DIAGRAM



| | |
|-----|---------|
| 10% | 981 cd |
| 20% | 1961 cd |
| 30% | 2942 cd |
| 40% | 3922 cd |
| 50% | 4903 cd |
| 60% | 5884 cd |
| 70% | 6864 cd |
| 80% | 7845 cd |

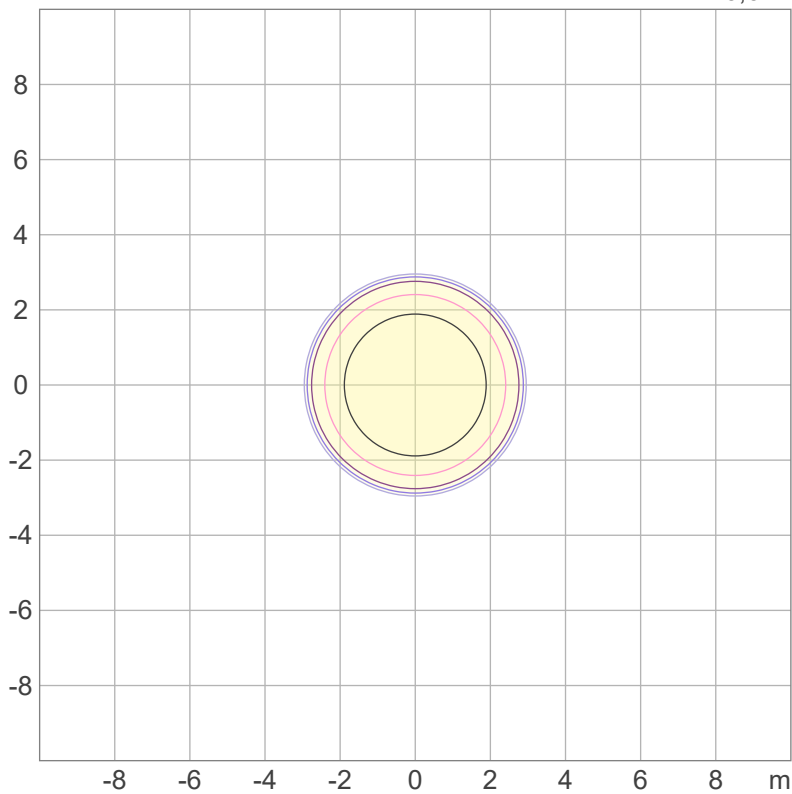
Conditions:

Number of c-planes: 2

Candela at center: 9806 cd

ISO LUX DIAGRAM

MH: 10,0 m



Mounting height: 10 meters (33 feet)

| | |
|-----|---------|
| 3% | 2,94 lx |
| 5% | 4,90 lx |
| 10% | 9,81 lx |
| 30% | 29,4 lx |
| 50% | 49,0 lx |

Conditions:

Number of c-planes: 2

Lux at center: 98,1 lx

Lux distribution on a surface when lamp is mounted at 10 meters from the surface.



Total lumen output:

1340 lm

Peak candela output:

4477 cd

PRODUCT NAME:

Mosaico FX100 FC

MEASUREMENT CONDITIONS:

Beam angle:

Optic 50° LWTW

Target:

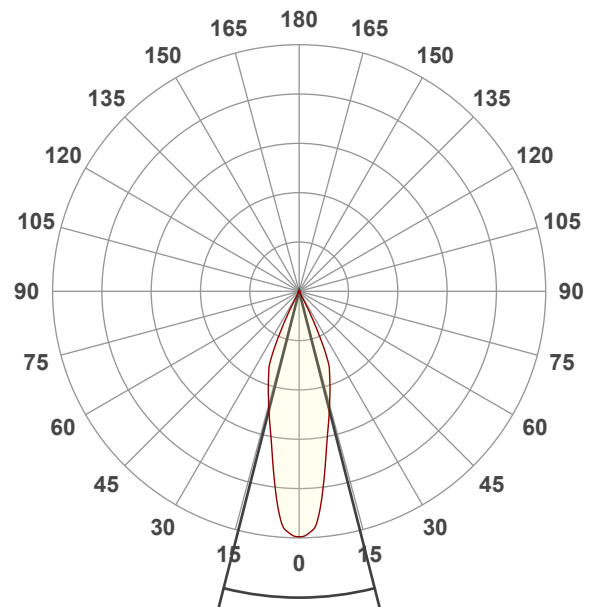
Full On

Operator:

Salvatore Giglio

Date and time:

12/01/2023 10:50:52

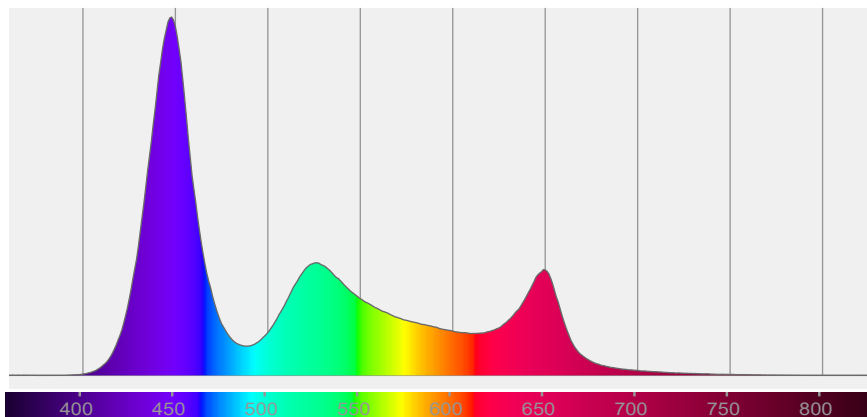


Beam angle 50%: 28,5°

Field angle 10%: 52,7°

Cut off angle 2.5%: 55,7°

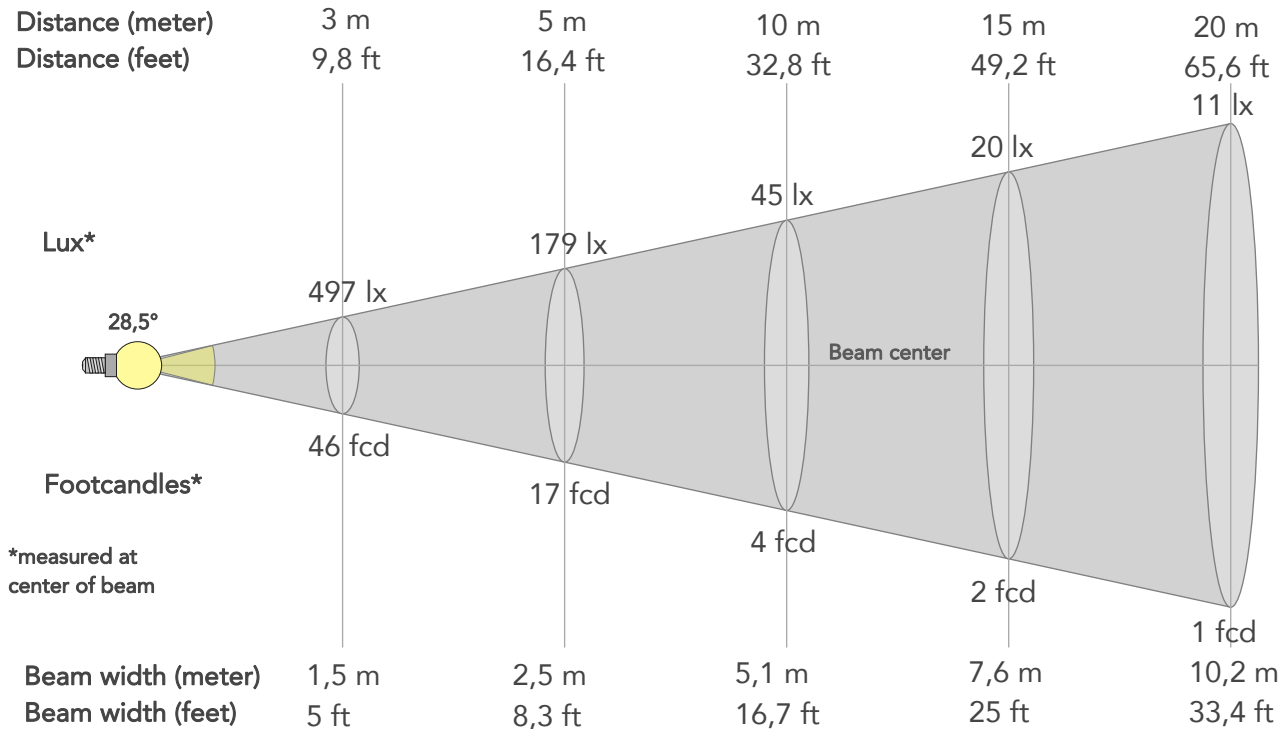
Spectra



BEAM DETAILS



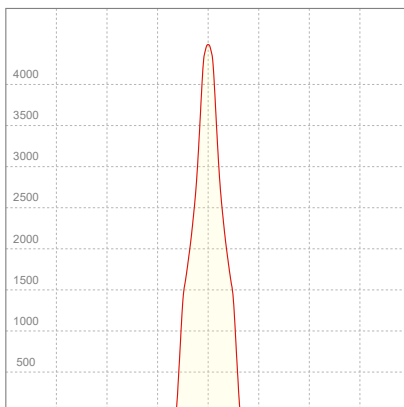
| | | | | |
|----------------|-----------------|--------------------|------------------------------|-----------------------------|
| Beam angle 50% | Field angle 10% | Cut off angle 2,5% | Intensity ratio in 120° cone | Intensity ratio in 90° cone |
| 28,5° | 52,7° | 55,7° | 95,6% | 95,4% |



BEAM INTENSITIES AND WIDTHS

| Distance | 1m | 2m | 3m | 4m | 5m | 7,5m | 10m | 15m | 20m | 25m | 30m | 40m | 50m |
|-----------|--------|--------|-------|--------|--------|--------|--------|--------|--------|--------|--------|---------|--------|
| Distance | 3,3ft | 6,6ft | 9,8ft | 13,1ft | 16,4ft | 24,6ft | 32,8ft | 49,2ft | 65,6ft | 82ft | 98,4ft | 131,2ft | 164ft |
| Lux | 4477lx | 1119lx | 497lx | 280lx | 179lx | 80lx | 45lx | 20lx | 11lx | 7lx | 5lx | 3lx | 2lx |
| Footcand. | 416fcd | 104fcd | 46fcd | 26fcd | 17fcd | 7fcd | 4fcd | 2fcd | 1fcd | 1fcd | 0fcd | 0fcd | 0fcd |
| Beam wid. | 0,5m | 1m | 1,5m | 2m | 2,5m | 3,8m | 5,1m | 7,6m | 10,2m | 12,7m | 15,3m | 20,4m | 25,4m |
| Beam wid. | 1,7ft | 3,4ft | 5ft | 6,7ft | 8,3ft | 12,5ft | 16,7ft | 25ft | 33,4ft | 41,7ft | 50,1ft | 66,8ft | 83,4ft |

LINEAR DISTRIBUTION DIAGRAM

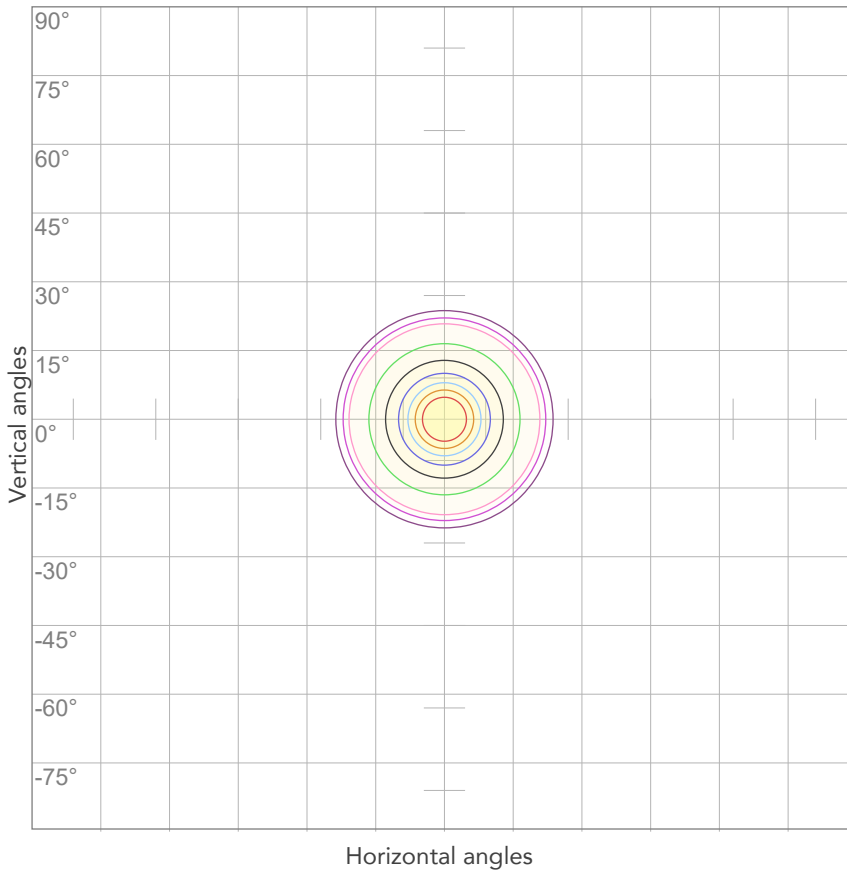


ELECTRICAL SPECIFICATIONS

| Input voltage | Input current | Input power | Effeciency |
|---------------|---------------|-------------|------------|
| 226V | 0,485A | 103,9W | 13lm/W |

| Power FC |
|----------|
| 0,95 |

ISO CANDELA DIAGRAM



| | |
|-----|---------|
| 10% | 448 cd |
| 20% | 895 cd |
| 30% | 1343 cd |
| 40% | 1791 cd |
| 50% | 2239 cd |
| 60% | 2686 cd |
| 70% | 3134 cd |
| 80% | 3582 cd |

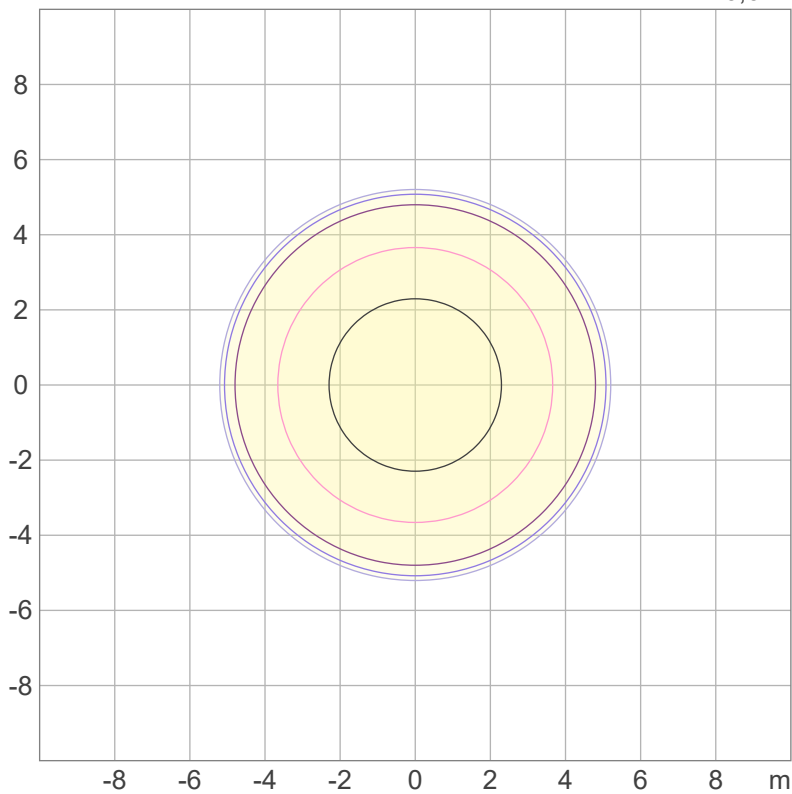
Conditions:

Number of c-planes: 2

Candela at center: 4477 cd

ISO LUX DIAGRAM

MH: 10,0 m



| | |
|-----|---------|
| 3% | 1,34 lx |
| 5% | 2,24 lx |
| 10% | 4,48 lx |
| 30% | 13,4 lx |
| 50% | 22,4 lx |

Conditions:

Number of c-planes: 2

Lux at center: 44,8 lx

Lux distribution on a surface when lamp is mounted at 10 meters from the surface.



Total lumen output:

960 lm

Peak candela output:

2298 cd

PRODUCT NAME:

Mosaico FX100 FC

MEASUREMENT CONDITIONS:

Beam angle:

Optic 70° LWGVW

Target:

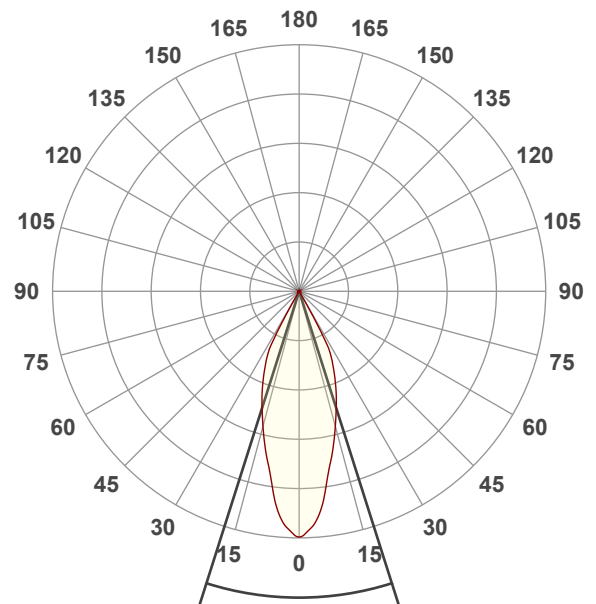
Full On

Operator:

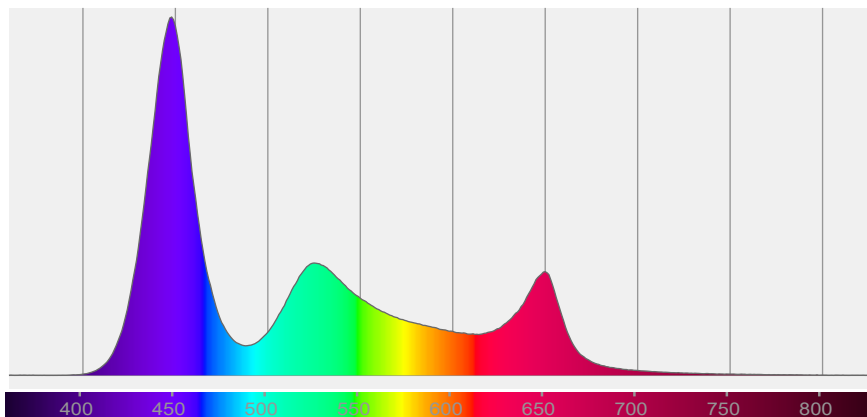
Salvatore Giglio

Date and time:

12/01/2023 12:55:43



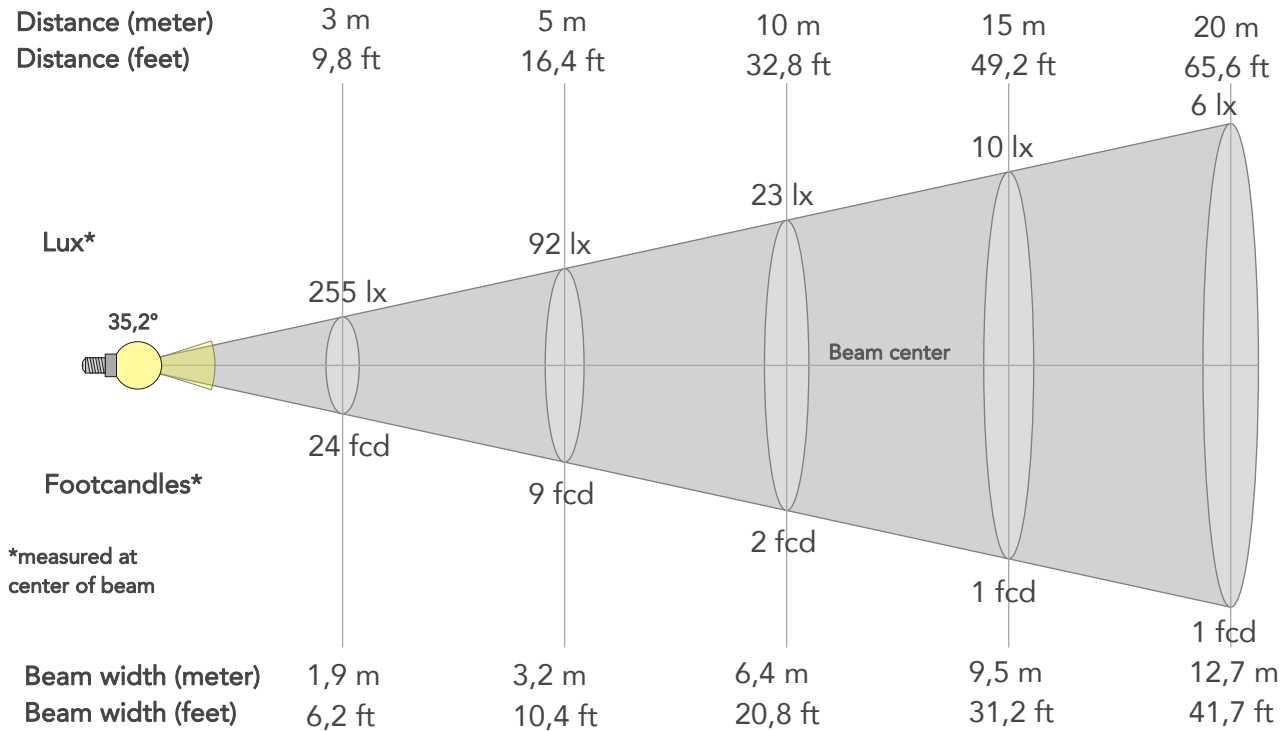
Spectra



BEAM DETAILS



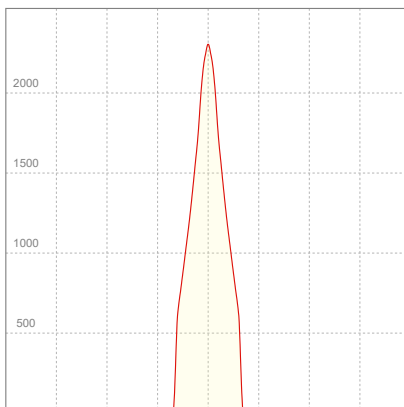
| | | | | |
|----------------|-----------------|--------------------|------------------------------|-----------------------------|
| Beam angle 50% | Field angle 10% | Cut off angle 2,5% | Intensity ratio in 120° cone | Intensity ratio in 90° cone |
| 35,2° | 58,8° | 60,9° | 90,2% | 89,9% |



BEAM INTENSITIES AND WIDTHS

| | | | | | | | | | | | | | |
|-----------|--------|-------|-------|--------|--------|--------|--------|--------|--------|--------|--------|---------|---------|
| Distance | 1m | 2m | 3m | 4m | 5m | 7,5m | 10m | 15m | 20m | 25m | 30m | 40m | 50m |
| Distance | 3,3ft | 6,6ft | 9,8ft | 13,1ft | 16,4ft | 24,6ft | 32,8ft | 49,2ft | 65,6ft | 82ft | 98,4ft | 131,2ft | 164ft |
| Lux | 2298lx | 575lx | 255lx | 144lx | 92lx | 41lx | 23lx | 10lx | 6lx | 4lx | 3lx | 1lx | 1lx |
| Footcand. | 214fcd | 53fcd | 24fcd | 13fcd | 9fcd | 4fcd | 2fcd | 1fcd | 1fcd | 0fcd | 0fcd | 0fcd | 0fcd |
| Beam wid. | 0,6m | 1,3m | 1,9m | 2,5m | 3,2m | 4,8m | 6,4m | 9,5m | 12,7m | 15,9m | 19,1m | 25,4m | 31,8m |
| Beam wid. | 2,1ft | 4,2ft | 6,2ft | 8,3ft | 10,4ft | 15,6ft | 20,8ft | 31,2ft | 41,7ft | 52,1ft | 62,5ft | 83,3ft | 104,2ft |

LINEAR DISTRIBUTION DIAGRAM

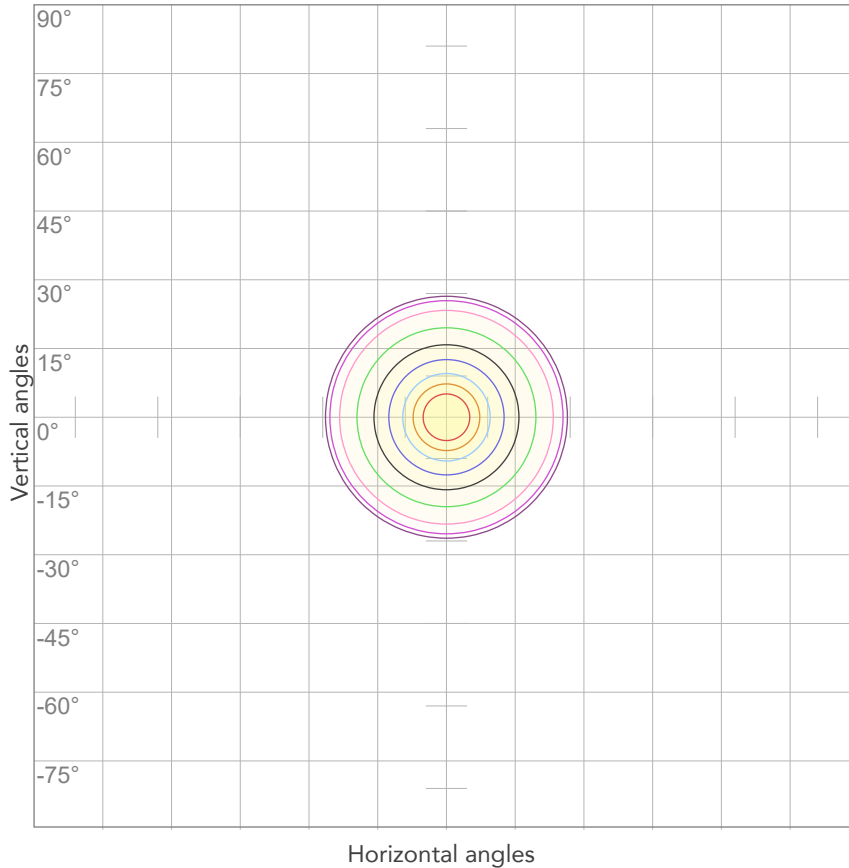


ELECTRICAL SPECIFICATIONS

| | | | |
|---------------|---------------|-------------|------------|
| Input voltage | Input current | Input power | Effeciency |
| 228V | 0,480A | 103,5W | 9lm/W |

| |
|----------|
| Power FC |
| 0,95 |

ISO CANDELA DIAGRAM



| | |
|-----|---------|
| 10% | 230 cd |
| 20% | 460 cd |
| 30% | 690 cd |
| 40% | 919 cd |
| 50% | 1149 cd |
| 60% | 1379 cd |
| 70% | 1609 cd |
| 80% | 1839 cd |

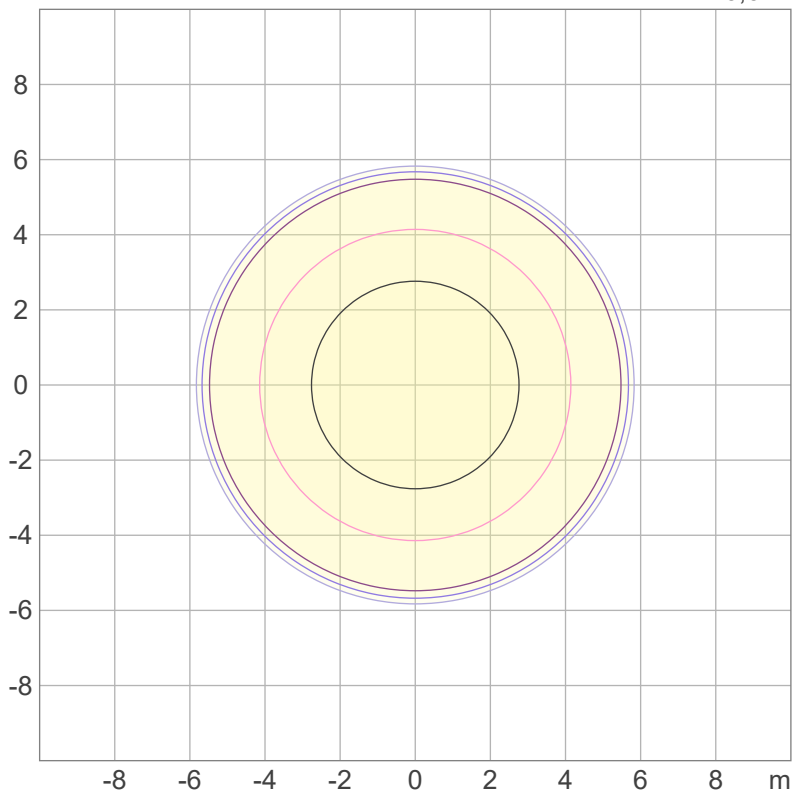
Conditions:

Number of c-planes: 2

Candela at center: 2298 cd

ISO LUX DIAGRAM

MH: 10,0 m



| | |
|-----|----------|
| 3% | 0,690 lx |
| 5% | 1,15 lx |
| 10% | 2,30 lx |
| 30% | 6,90 lx |
| 50% | 11,5 lx |

Conditions:

Number of c-planes: 2

Lux at center: 23,0 lx

Lux distribution on a surface when lamp is mounted at 10 meters from the surface.

Mounting height: 10 meters (33 feet)



Total lumen output:

1132 lm

Peak candela output:

4138 cd

PRODUCT NAME:

Mosaico FX100 FC

MEASUREMENT CONDITIONS:

Beam angle:

Optic 30° LGBM

Target:

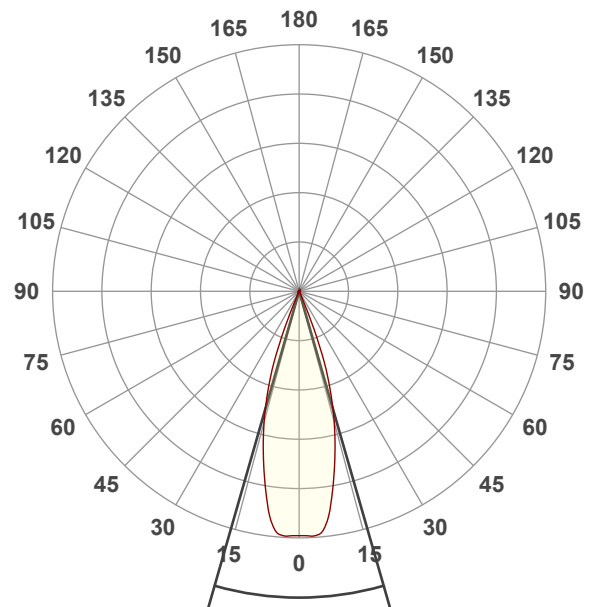
Full On

Operator:

Salvatore Giglio

Date and time:

11/01/2023 17:33:01

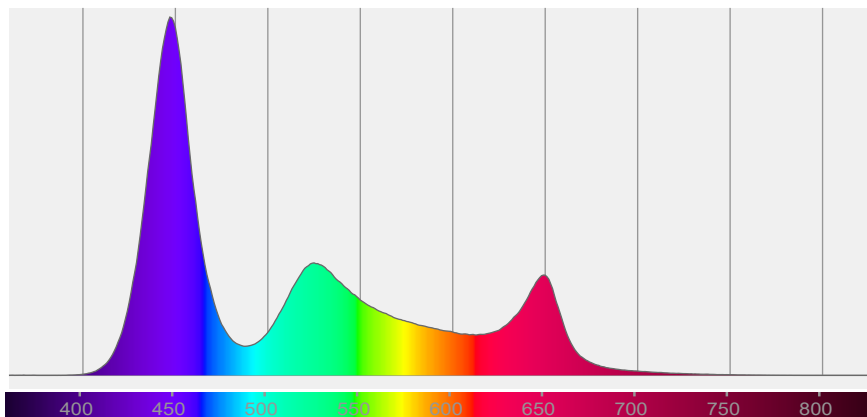


Beam angle 50%: 32°

Field angle 10%: 45°

Cut off angle 2.5%: 48,3°

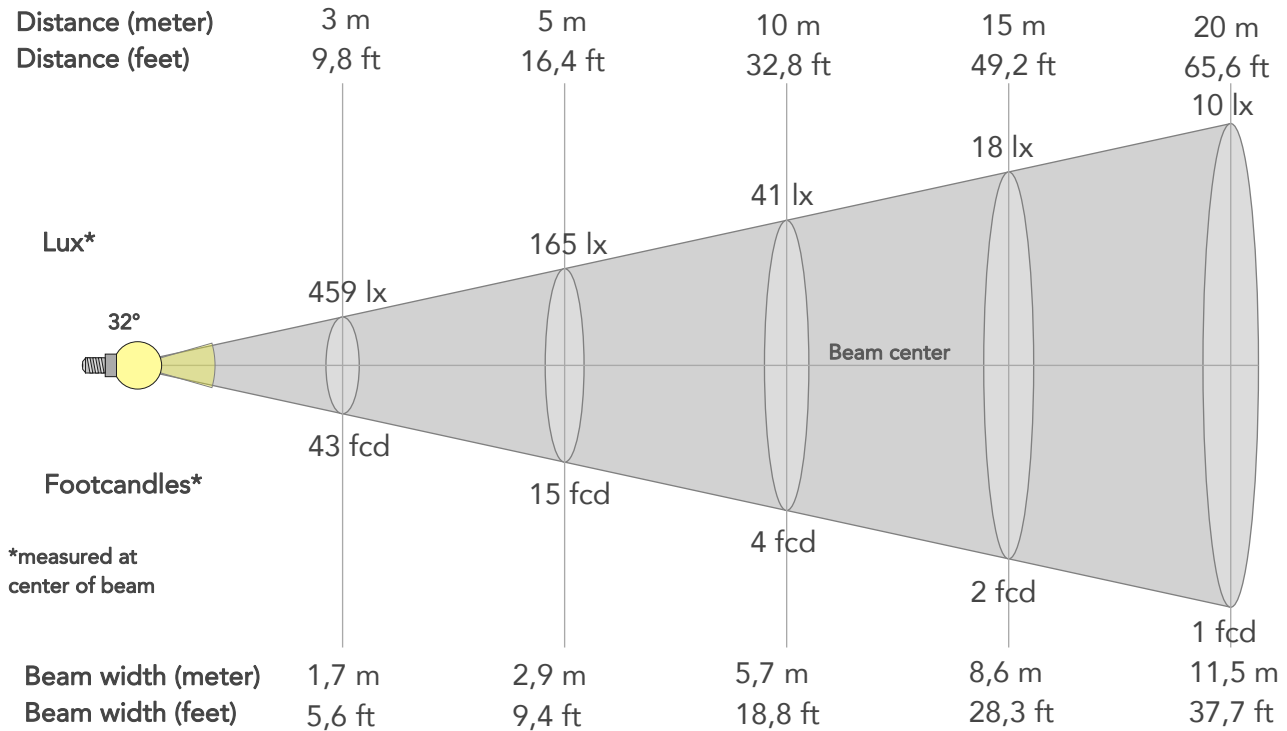
Spectra



BEAM DETAILS



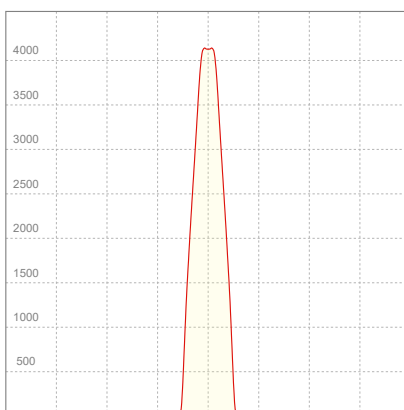
| | | | | |
|----------------|-----------------|--------------------|------------------------------|-----------------------------|
| Beam angle 50% | Field angle 10% | Cut off angle 2,5% | Intensity ratio in 120° cone | Intensity ratio in 90° cone |
| 32° | 45° | 48,3° | 94,3% | 94,3% |



BEAM INTENSITIES AND WIDTHS

| Distance | 1m | 2m | 3m | 4m | 5m | 7,5m | 10m | 15m | 20m | 25m | 30m | 40m | 50m |
|-----------|--------|--------|-------|--------|--------|--------|--------|--------|--------|--------|--------|---------|--------|
| Distance | 3,3ft | 6,6ft | 9,8ft | 13,1ft | 16,4ft | 24,6ft | 32,8ft | 49,2ft | 65,6ft | 82ft | 98,4ft | 131,2ft | 164ft |
| Lux | 4128lx | 1032lx | 459lx | 258lx | 165lx | 73lx | 41lx | 18lx | 10lx | 7lx | 5lx | 3lx | 2lx |
| Footcand. | 384fcd | 96fcd | 43fcd | 24fcd | 15fcd | 7fcd | 4fcd | 2fcd | 1fcd | 1fcd | 0fcd | 0fcd | 0fcd |
| Beam wid. | 0,6m | 1,1m | 1,7m | 2,3m | 2,9m | 4,3m | 5,7m | 8,6m | 11,5m | 14,4m | 17,2m | 23m | 28,7m |
| Beam wid. | 1,9ft | 3,8ft | 5,6ft | 7,5ft | 9,4ft | 14,1ft | 18,8ft | 28,3ft | 37,7ft | 47,1ft | 56,5ft | 75,3ft | 94,2ft |

LINEAR DISTRIBUTION DIAGRAM

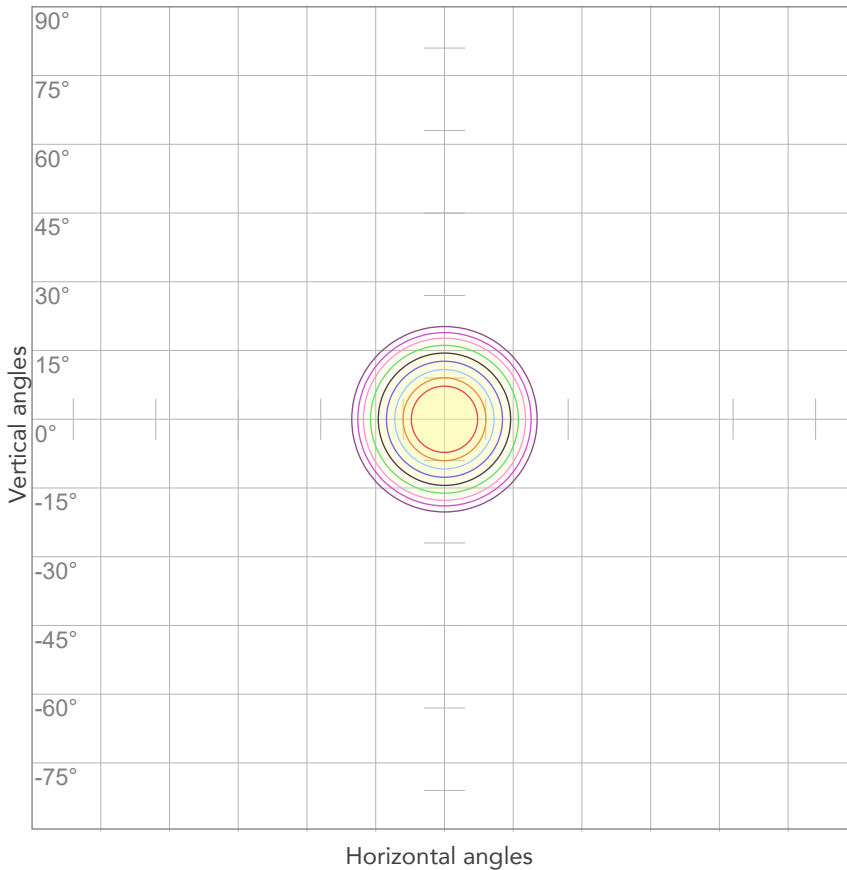


ELECTRICAL SPECIFICATIONS

| Input voltage | Input current | Input power | Effeciency |
|---------------|---------------|-------------|------------|
| 224V | 0,488A | 104W | 11lm/W |

| Power FC |
|----------|
| 0,95 |

ISO CANDELA DIAGRAM



| | |
|-----|---------|
| 10% | 413 cd |
| 20% | 826 cd |
| 30% | 1238 cd |
| 40% | 1651 cd |
| 50% | 2064 cd |
| 60% | 2477 cd |
| 70% | 2890 cd |
| 80% | 3303 cd |

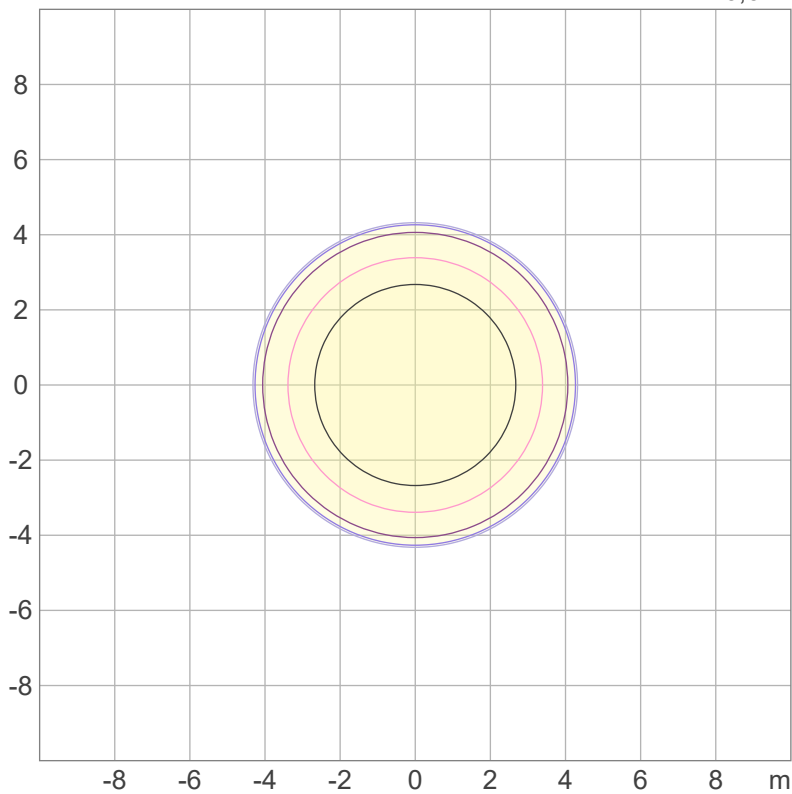
Conditions:

Number of c-planes: 2

Candela at center: 4128 cd

ISO LUX DIAGRAM

MH: 10,0 m



Mounting height: 10 meters (33 feet)

| | |
|-----|---------|
| 3% | 1,24 lx |
| 5% | 2,06 lx |
| 10% | 4,13 lx |
| 30% | 12,4 lx |
| 50% | 20,6 lx |

Conditions:

Number of c-planes: 2

Lux at center: 41,3 lx

Lux distribution on a surface when lamp is mounted at 10 meters from the surface.



Total lumen output:

896 lm

Peak candela output:

1888 cd

PRODUCT NAME:

Mosaico FX100 FC

MEASUREMENT CONDITIONS:

Beam angle:

Optic 50° LGBW

Target:

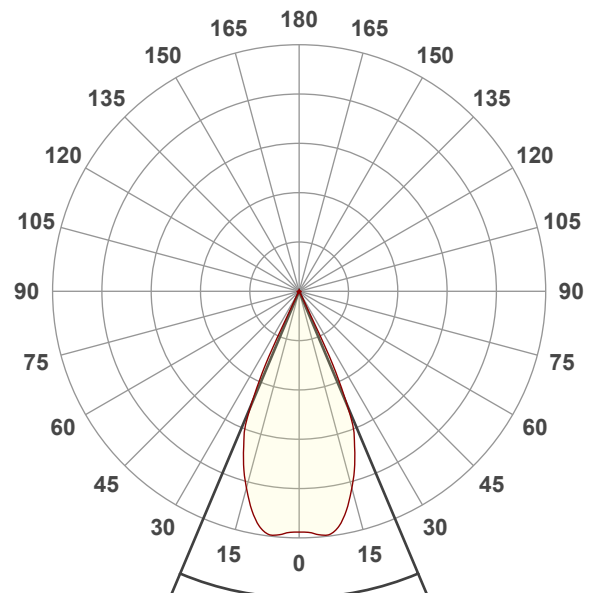
Full On

Operator:

Salvatore Giglio

Date and time:

12/01/2023 11:33:27

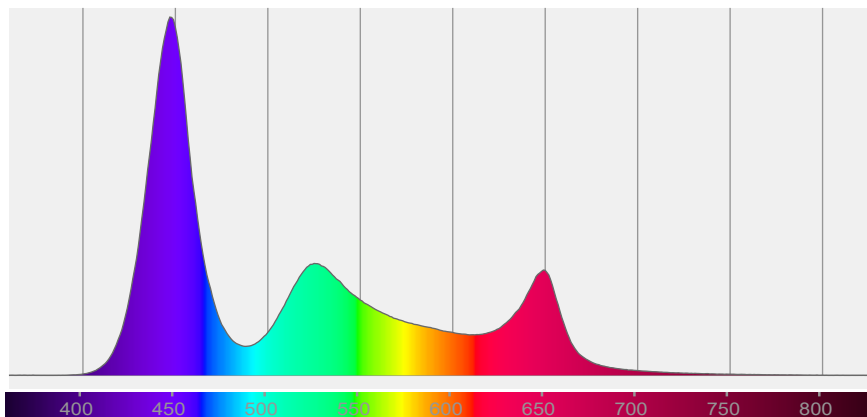


Beam angle 50%: 45,7°

Field angle 10%: 53,1°

Cut off angle 2.5%: 54,9°

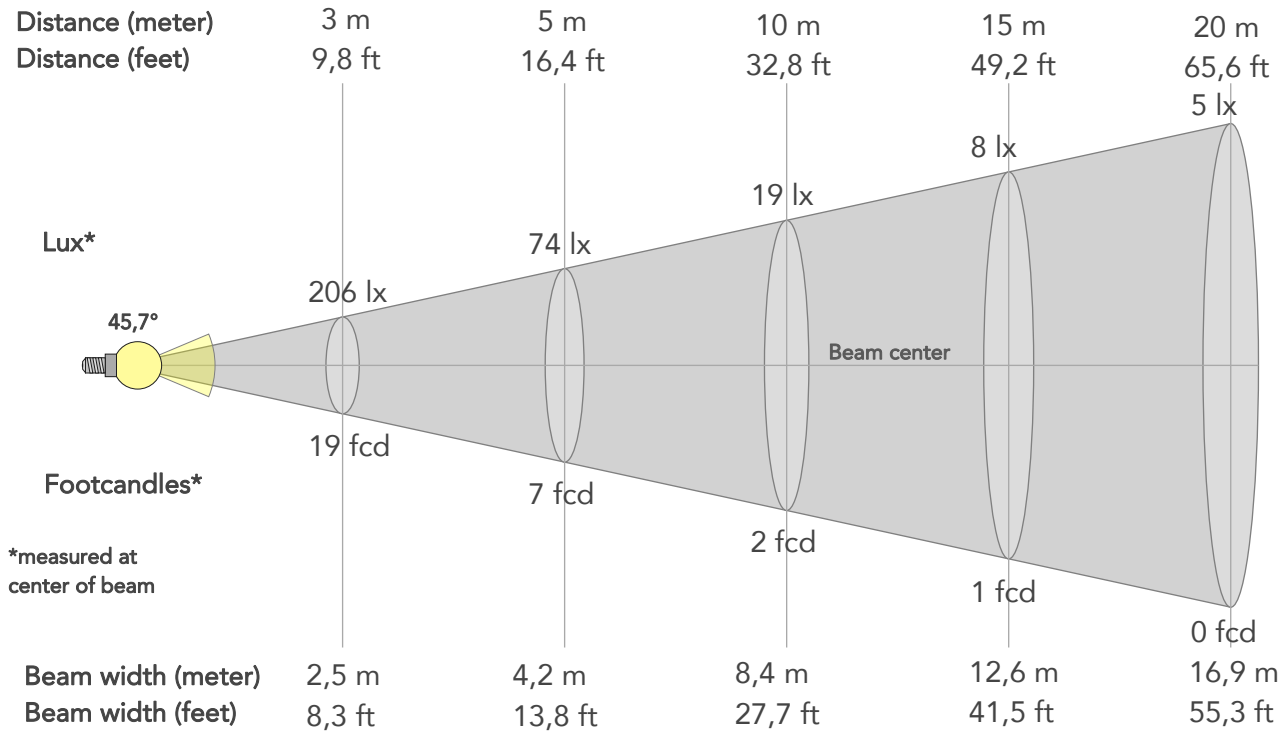
Spectra



BEAM DETAILS



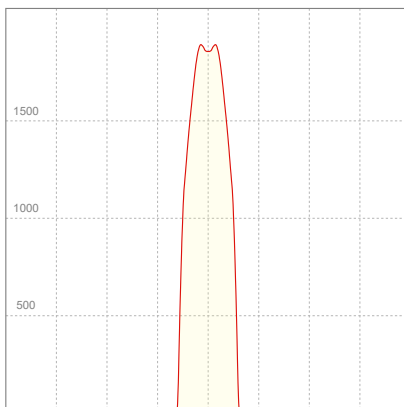
| | | | | |
|----------------|-----------------|--------------------|------------------------------|-----------------------------|
| Beam angle 50% | Field angle 10% | Cut off angle 2,5% | Intensity ratio in 120° cone | Intensity ratio in 90° cone |
| 45,7° | 53,1° | 54,9° | 94,4% | 94,1% |



BEAM INTENSITIES AND WIDTHS

| Distance | 1m | 2m | 3m | 4m | 5m | 7,5m | 10m | 15m | 20m | 25m | 30m | 40m | 50m |
|-----------|--------|-------|-------|--------|--------|--------|--------|--------|--------|--------|--------|---------|---------|
| Distance | 3,3ft | 6,6ft | 9,8ft | 13,1ft | 16,4ft | 24,6ft | 32,8ft | 49,2ft | 65,6ft | 82ft | 98,4ft | 131,2ft | 164ft |
| Lux | 1858lx | 465lx | 206lx | 116lx | 74lx | 33lx | 19lx | 8lx | 5lx | 3lx | 2lx | 1lx | 1lx |
| Footcand. | 173fcd | 43fcd | 19fcd | 11fcd | 7fcd | 3fcd | 2fcd | 1fcd | 0fcd | 0fcd | 0fcd | 0fcd | 0fcd |
| Beam wid. | 0,8m | 1,7m | 2,5m | 3,4m | 4,2m | 6,3m | 8,4m | 12,6m | 16,9m | 21,1m | 25,3m | 33,7m | 42,2m |
| Beam wid. | 2,8ft | 5,6ft | 8,3ft | 11ft | 13,8ft | 20,7ft | 27,7ft | 41,5ft | 55,3ft | 69,1ft | 83ft | 110,6ft | 138,3ft |

LINEAR DISTRIBUTION DIAGRAM

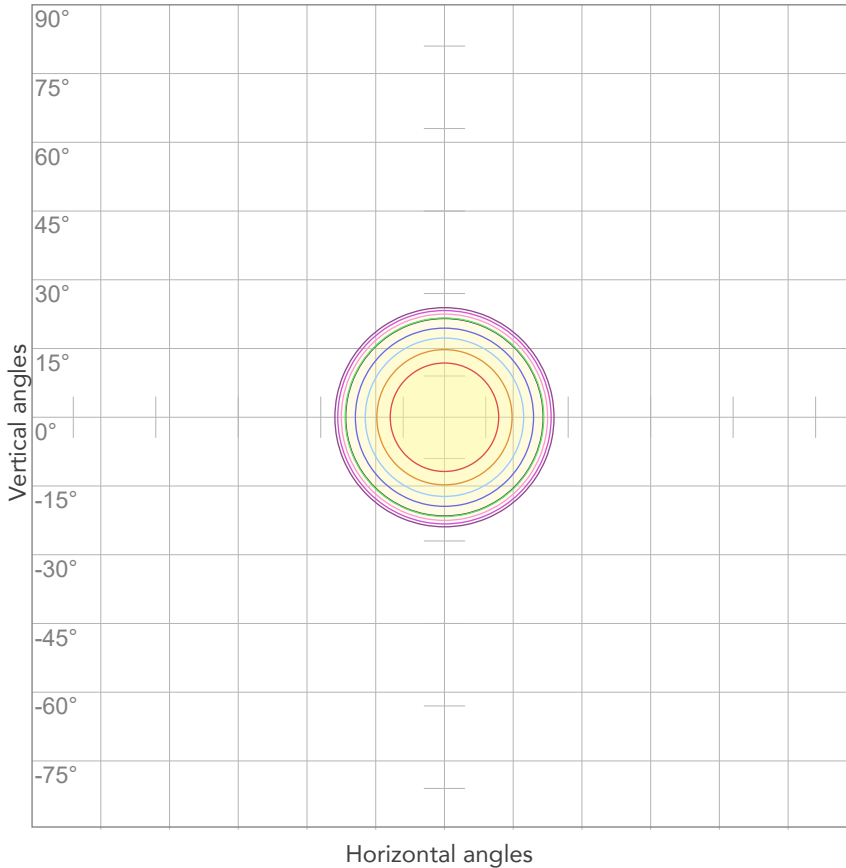


ELECTRICAL SPECIFICATIONS

| Input voltage | Input current | Input power | Effeciency |
|---------------|---------------|-------------|------------|
| 225V | 0,488A | 104,4W | 9lm/W |

| Power FC |
|----------|
| 0,95 |

ISO CANDELA DIAGRAM



| | |
|-----|---------|
| 10% | 186 cd |
| 20% | 372 cd |
| 30% | 558 cd |
| 40% | 743 cd |
| 50% | 929 cd |
| 60% | 1115 cd |
| 70% | 1301 cd |
| 80% | 1487 cd |

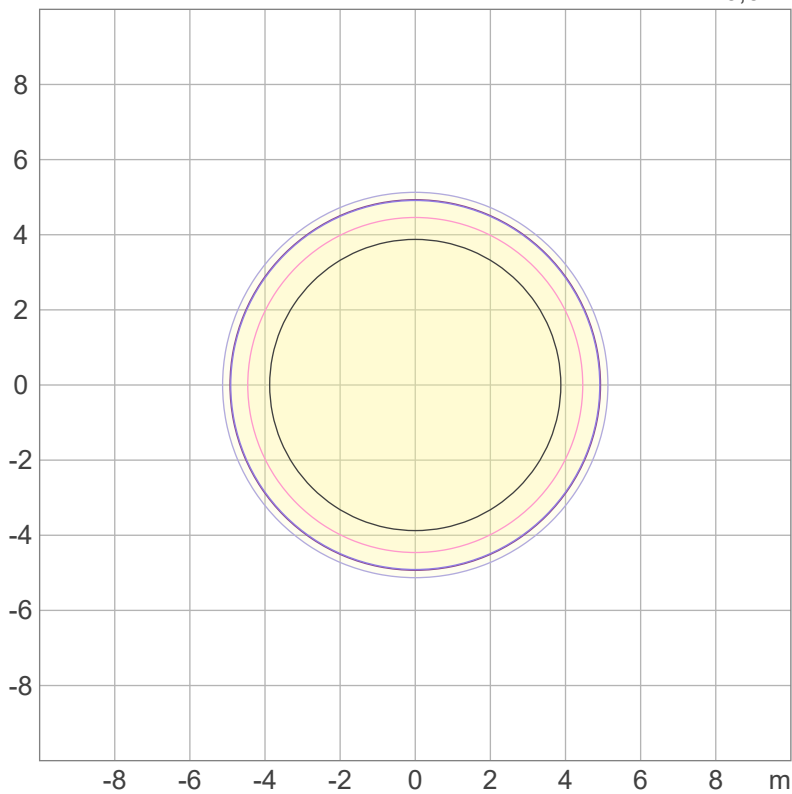
Conditions:

Number of c-planes: 2

Candela at center: 1858 cd

ISO LUX DIAGRAM

MH: 10,0 m



Mounting height: 10 meters (33 feet)

| | |
|-----|----------|
| 3% | 0,558 lx |
| 5% | 0,929 lx |
| 10% | 1,86 lx |
| 30% | 5,58 lx |
| 50% | 9,29 lx |

Conditions:

Number of c-planes: 2

Lux at center: 18,6 lx

Lux distribution on a surface when lamp is mounted at 10 meters from the surface.



Total lumen output:

129 lm

Peak candela output:

1751 cd

PRODUCT NAME:

Mosaico FX100 FC

MEASUREMENT CONDITIONS:

Beam angle:

Optic 15° LWGN

Target:

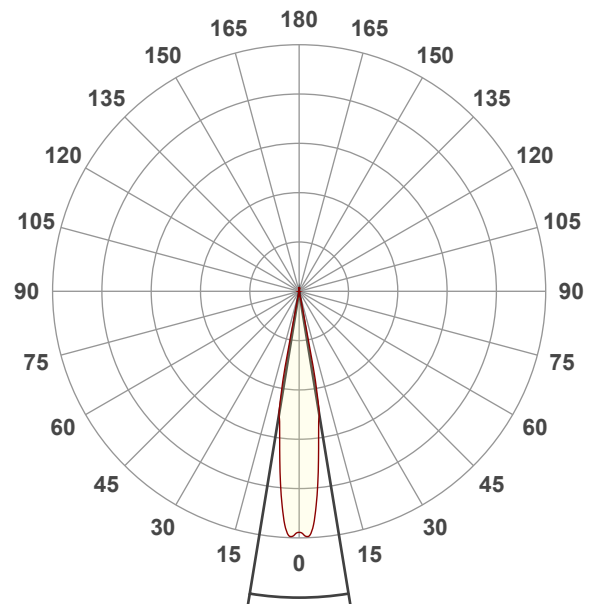
Red

Operator:

Salvatore Giglio

Date and time:

11/01/2023 15:34:34

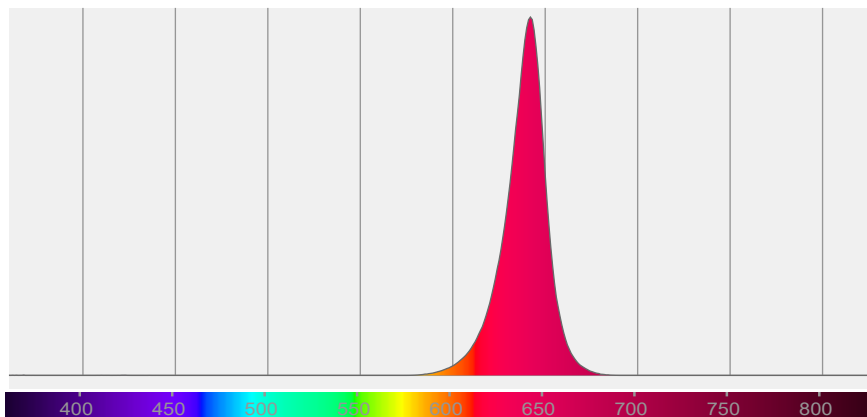


Beam angle 50%: 18,6°

Field angle 10%: 22,5°

Cut off angle 2.5%: 23°

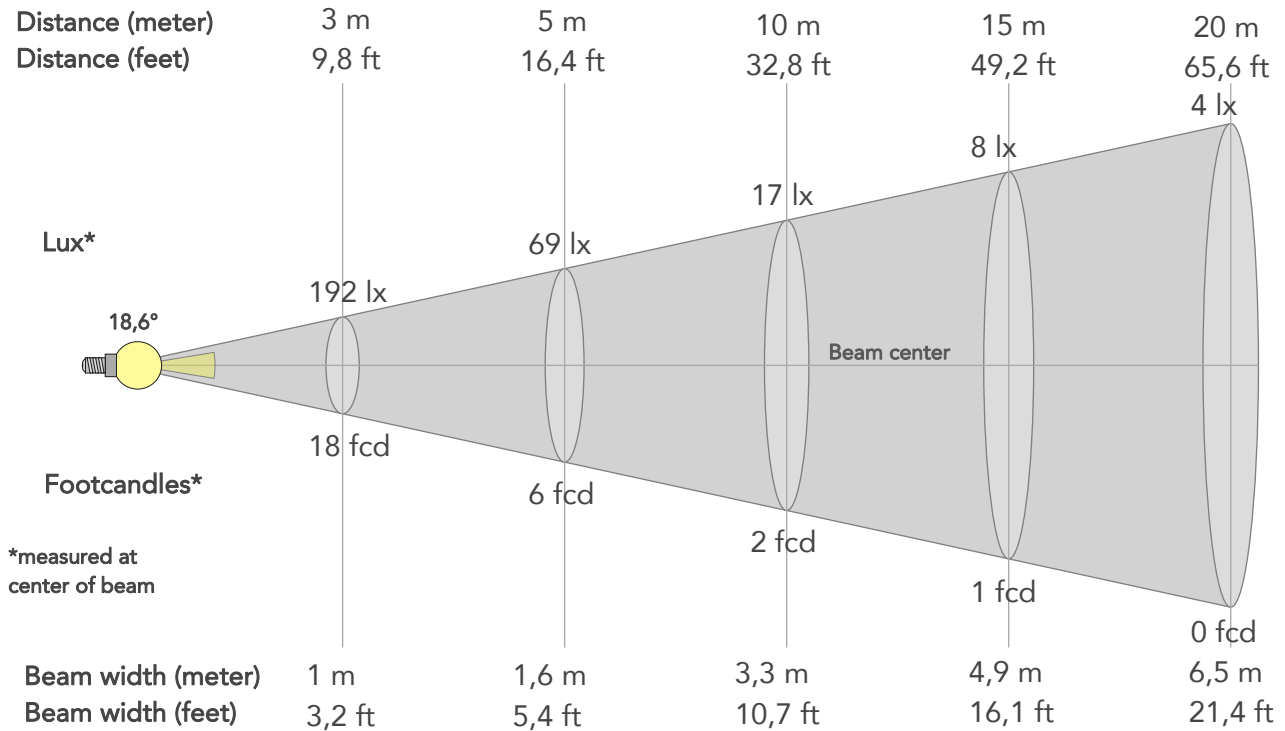
Spectra



BEAM DETAILS



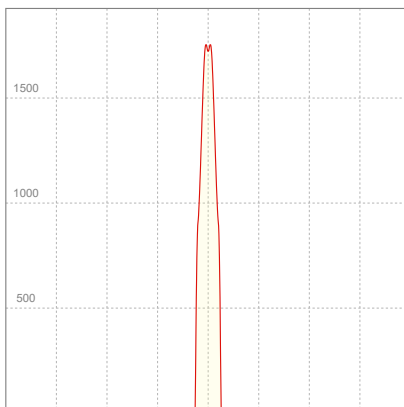
| | | | | |
|----------------|-----------------|--------------------|------------------------------|-----------------------------|
| Beam angle 50% | Field angle 10% | Cut off angle 2,5% | Intensity ratio in 120° cone | Intensity ratio in 90° cone |
| 18,6° | 22,5° | 23° | 99,0% | 99,0% |



BEAM INTENSITIES AND WIDTHS

| Distance | 1m | 2m | 3m | 4m | 5m | 7,5m | 10m | 15m | 20m | 25m | 30m | 40m | 50m |
|-----------|--------|-------|-------|--------|--------|--------|--------|--------|--------|--------|--------|---------|--------|
| Distance | 3,3ft | 6,6ft | 9,8ft | 13,1ft | 16,4ft | 24,6ft | 32,8ft | 49,2ft | 65,6ft | 82ft | 98,4ft | 131,2ft | 164ft |
| Lux | 1726lx | 431lx | 192lx | 108lx | 69lx | 31lx | 17lx | 8lx | 4lx | 3lx | 2lx | 1lx | 1lx |
| Footcand. | 160fcd | 40fcd | 18fcd | 10fcd | 6fcd | 3fcd | 2fcd | 1fcd | 0fcd | 0fcd | 0fcd | 0fcd | 0fcd |
| Beam wid. | 0,3m | 0,7m | 1m | 1,3m | 1,6m | 2,5m | 3,3m | 4,9m | 6,5m | 8,2m | 9,8m | 13,1m | 16,3m |
| Beam wid. | 1,1ft | 2,2ft | 3,2ft | 4,3ft | 5,4ft | 8ft | 10,7ft | 16,1ft | 21,4ft | 26,8ft | 32,2ft | 42,9ft | 53,6ft |

LINEAR DISTRIBUTION DIAGRAM

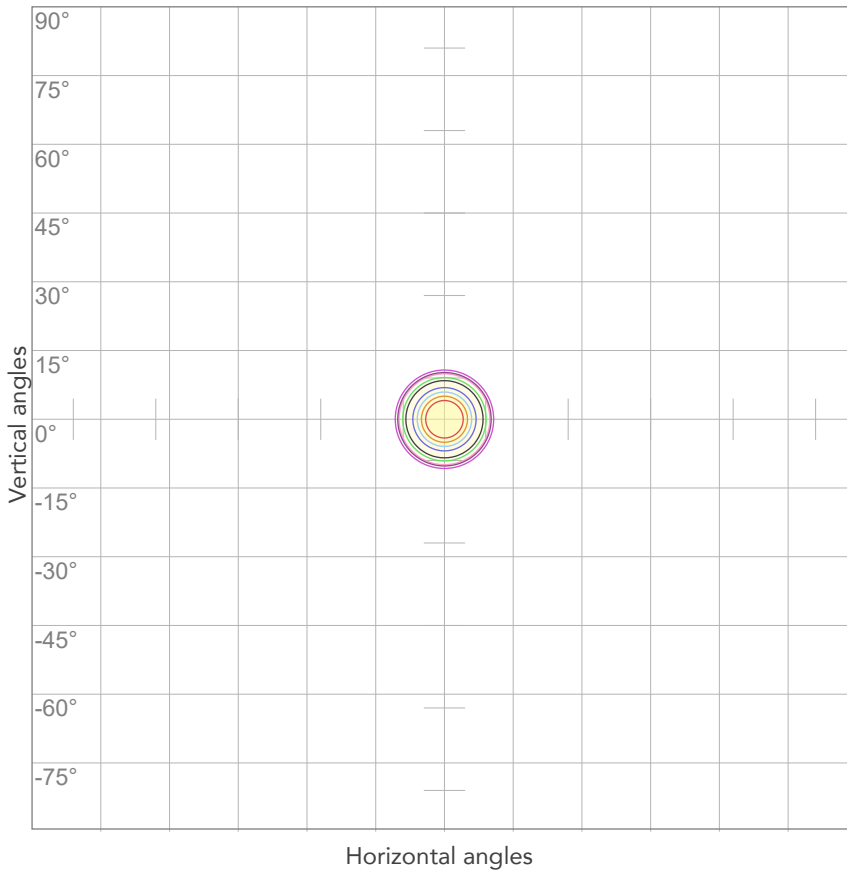


ELECTRICAL SPECIFICATIONS

| Input voltage | Input current | Input power | Effeciency |
|---------------|---------------|-------------|------------|
| 225V | 0,200A | 35,9W | 4lm/W |

| Power FC |
|----------|
| 0,8 |

ISO CANDELA DIAGRAM



| | |
|-----|---------|
| 10% | 173 cd |
| 20% | 345 cd |
| 30% | 518 cd |
| 40% | 690 cd |
| 50% | 863 cd |
| 60% | 1035 cd |
| 70% | 1208 cd |
| 80% | 1381 cd |

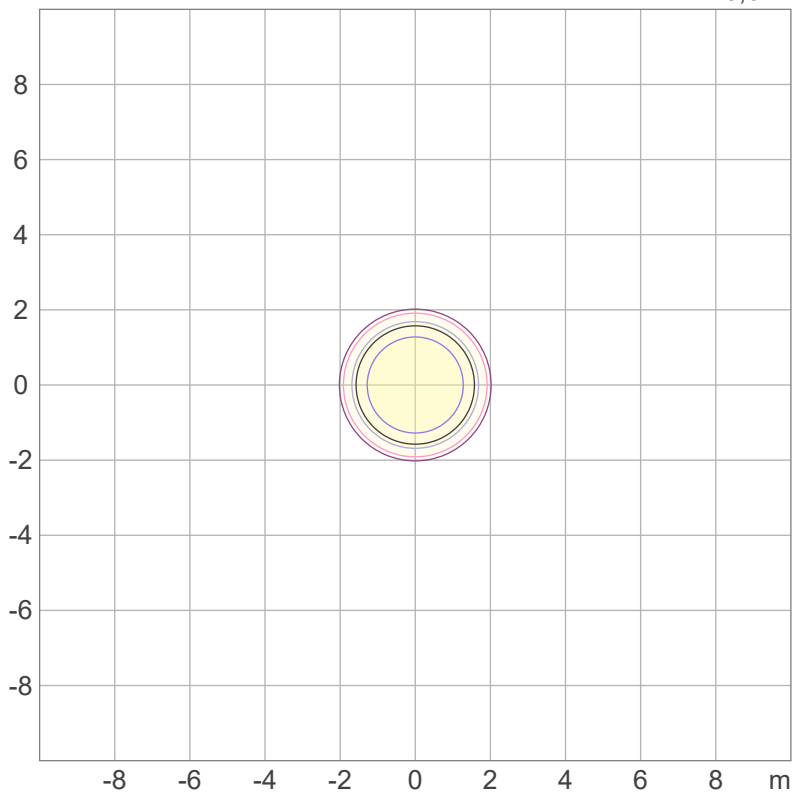
Conditions:

Number of c-planes: 2

Candela at center: 1726 cd

ISO LUX DIAGRAM

MH: 10,0 m



Mounting height: 10 meters (33 feet)

| | |
|-----|----------|
| 3% | 0,518 lx |
| 5% | 0,863 lx |
| 10% | 1,73 lx |
| 30% | 5,18 lx |
| 50% | 8,63 lx |

Conditions:

Number of c-planes: 2

Lux at center: 17,3 lx

Lux distribution on a surface when lamp is mounted at 10 meters from the surface.



Total lumen output:

151 lm

Peak candela output:

1210 cd

PRODUCT NAME:

Mosaico FX100 FC

MEASUREMENT CONDITIONS:

Beam angle:

Optic 30° LWTM

Target:

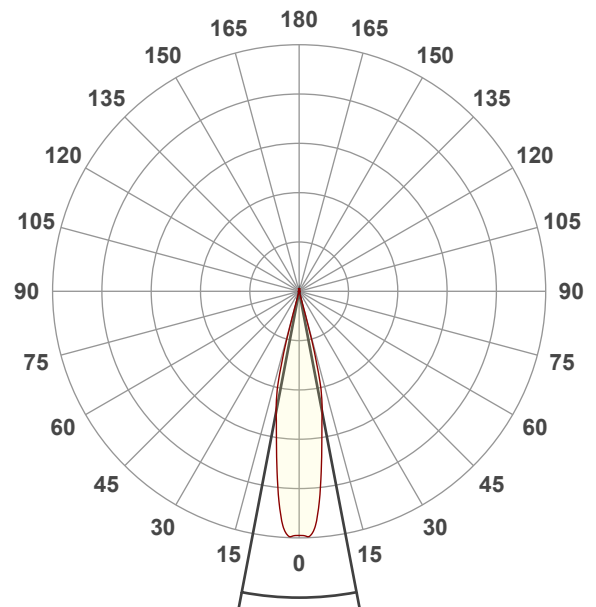
Red

Operator:

Salvatore Giglio

Date and time:

11/01/2023 16:38:50

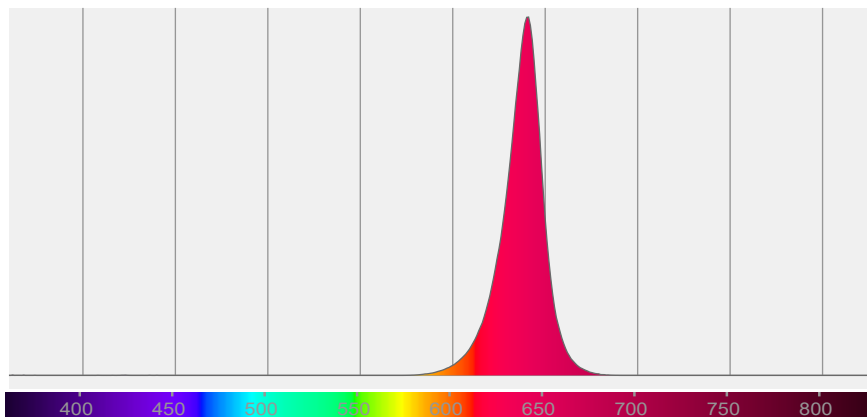


Beam angle 50%: 21,6°

Field angle 10%: 30,6°

Cut off angle 2.5%: 31,7°

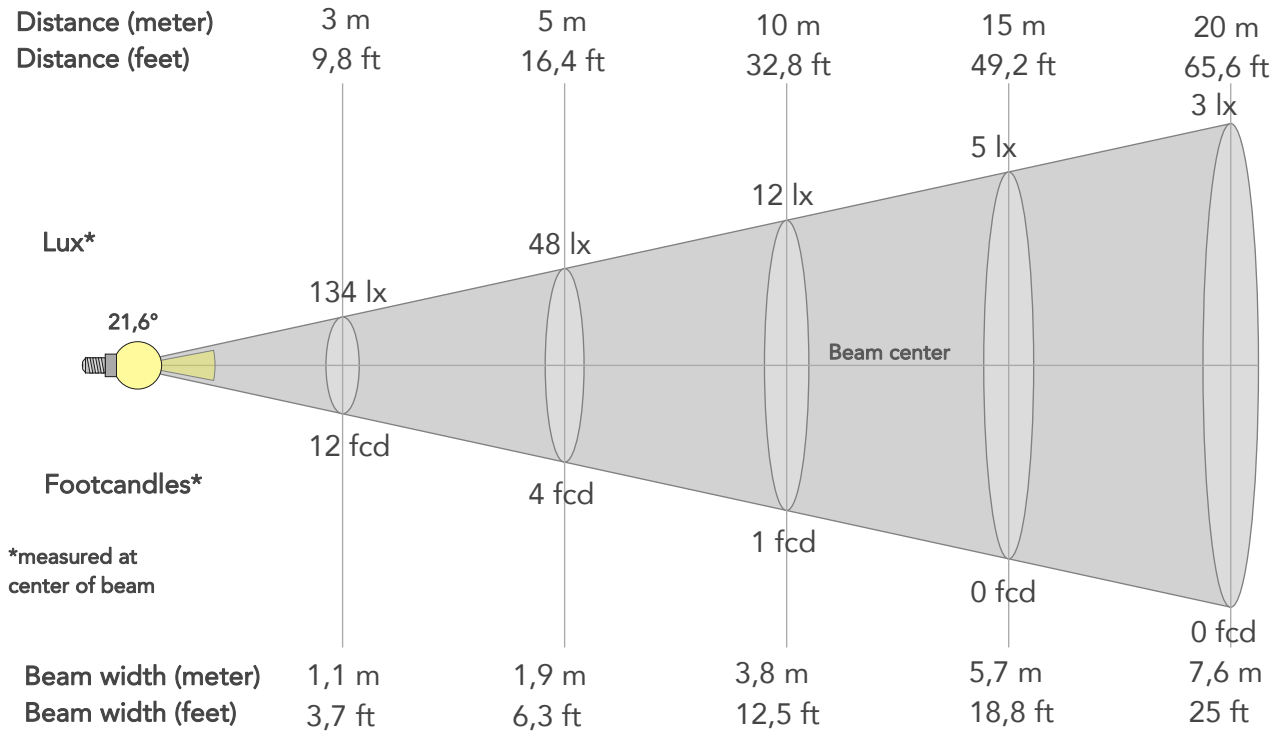
Spectra



BEAM DETAILS



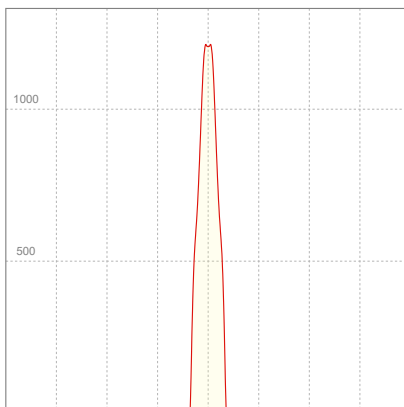
| | | | | |
|----------------|-----------------|--------------------|------------------------------|-----------------------------|
| Beam angle 50% | Field angle 10% | Cut off angle 2,5% | Intensity ratio in 120° cone | Intensity ratio in 90° cone |
| 21,6° | 30,6° | 31,7° | 94,5% | 94,5% |



BEAM INTENSITIES AND WIDTHS

| | | | | | | | | | | | | | |
|-----------|--------|-------|-------|--------|--------|--------|--------|--------|--------|--------|--------|---------|--------|
| Distance | 1m | 2m | 3m | 4m | 5m | 7,5m | 10m | 15m | 20m | 25m | 30m | 40m | 50m |
| Distance | 3,3ft | 6,6ft | 9,8ft | 13,1ft | 16,4ft | 24,6ft | 32,8ft | 49,2ft | 65,6ft | 82ft | 98,4ft | 131,2ft | 164ft |
| Lux | 1207lx | 302lx | 134lx | 75lx | 48lx | 21lx | 12lx | 5lx | 3lx | 2lx | 1lx | 1lx | 0lx |
| Footcand. | 112fcd | 28fcd | 12fcd | 7fcd | 4fcd | 2fcd | 1fcd | 0fcd | 0fcd | 0fcd | 0fcd | 0fcd | 0fcd |
| Beam wid. | 0,4m | 0,8m | 1,1m | 1,5m | 1,9m | 2,9m | 3,8m | 5,7m | 7,6m | 9,5m | 11,4m | 15,3m | 19,1m |
| Beam wid. | 1,3ft | 2,5ft | 3,7ft | 5ft | 6,3ft | 9,4ft | 12,5ft | 18,8ft | 25ft | 31,3ft | 37,5ft | 50,1ft | 62,6ft |

LINEAR DISTRIBUTION DIAGRAM

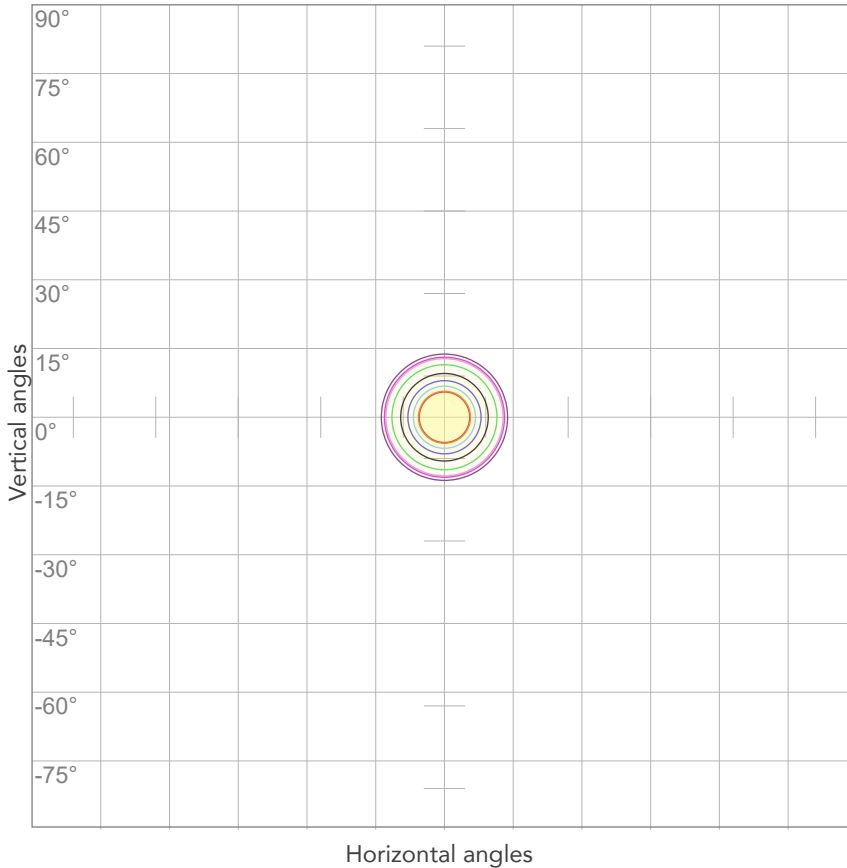


ELECTRICAL SPECIFICATIONS

| | | | |
|---------------|---------------|-------------|------------|
| Input voltage | Input current | Input power | Effeciency |
| 225V | 0,200A | 36,0W | 4lm/W |

| |
|----------|
| Power FC |
| 0,8 |

ISO CANDELA DIAGRAM



| | |
|-----|--------|
| 10% | 121 cd |
| 20% | 241 cd |
| 30% | 362 cd |
| 40% | 483 cd |
| 50% | 603 cd |
| 60% | 724 cd |
| 70% | 845 cd |
| 80% | 965 cd |

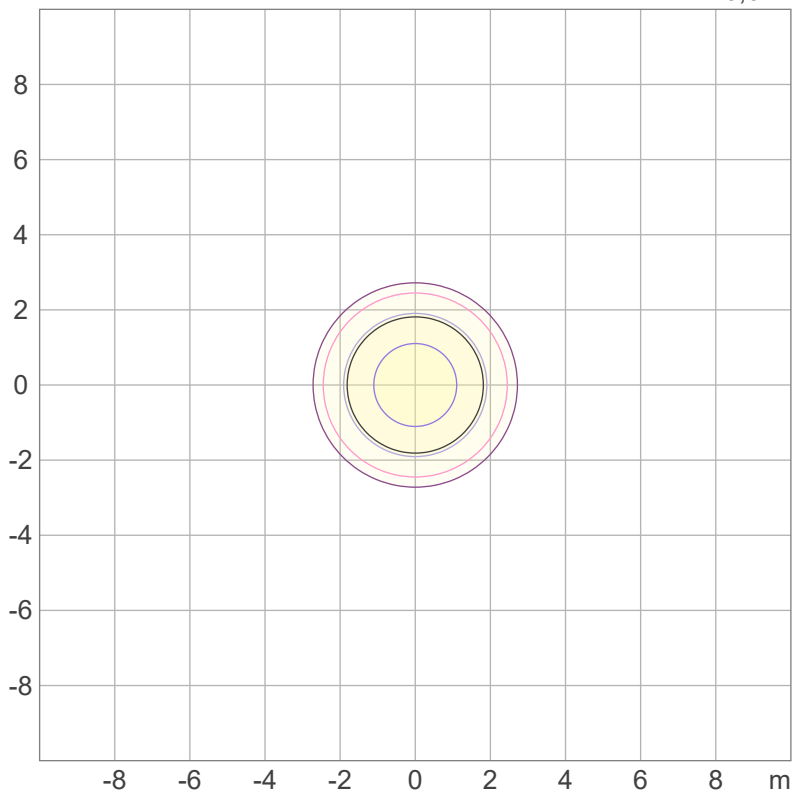
Conditions:

Number of c-planes: 2

Candela at center: 1207 cd

ISO LUX DIAGRAM

MH: 10,0 m



| | |
|-----|----------|
| 3% | 0,362 lx |
| 5% | 0,603 lx |
| 10% | 1,21 lx |
| 30% | 3,62 lx |
| 50% | 6,03 lx |

Conditions:

Number of c-planes: 2

Lux at center: 12,1 lx

Lux distribution on a surface when lamp is mounted at 10 meters from the surface.



Total lumen output:

163 lm

Peak candela output:

505 cd

PRODUCT NAME:

Mosaico FX100 FC

MEASUREMENT CONDITIONS:

Beam angle:

Optic 50° LWTW

Target:

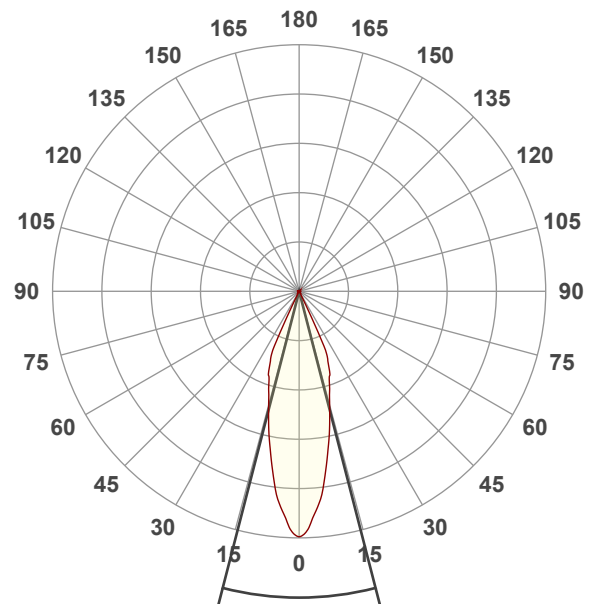
Red

Operator:

Salvatore Giglio

Date and time:

12/01/2023 10:55:31

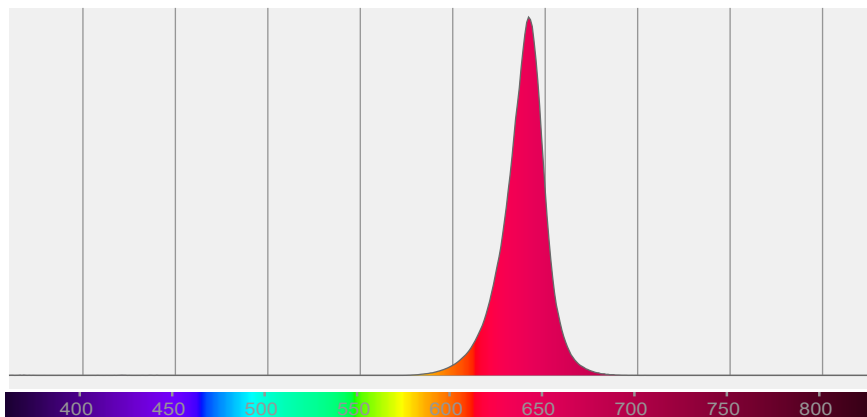


Beam angle 50%: 28,9°

Field angle 10%: 51,1°

Cut off angle 2.5%: 52,9°

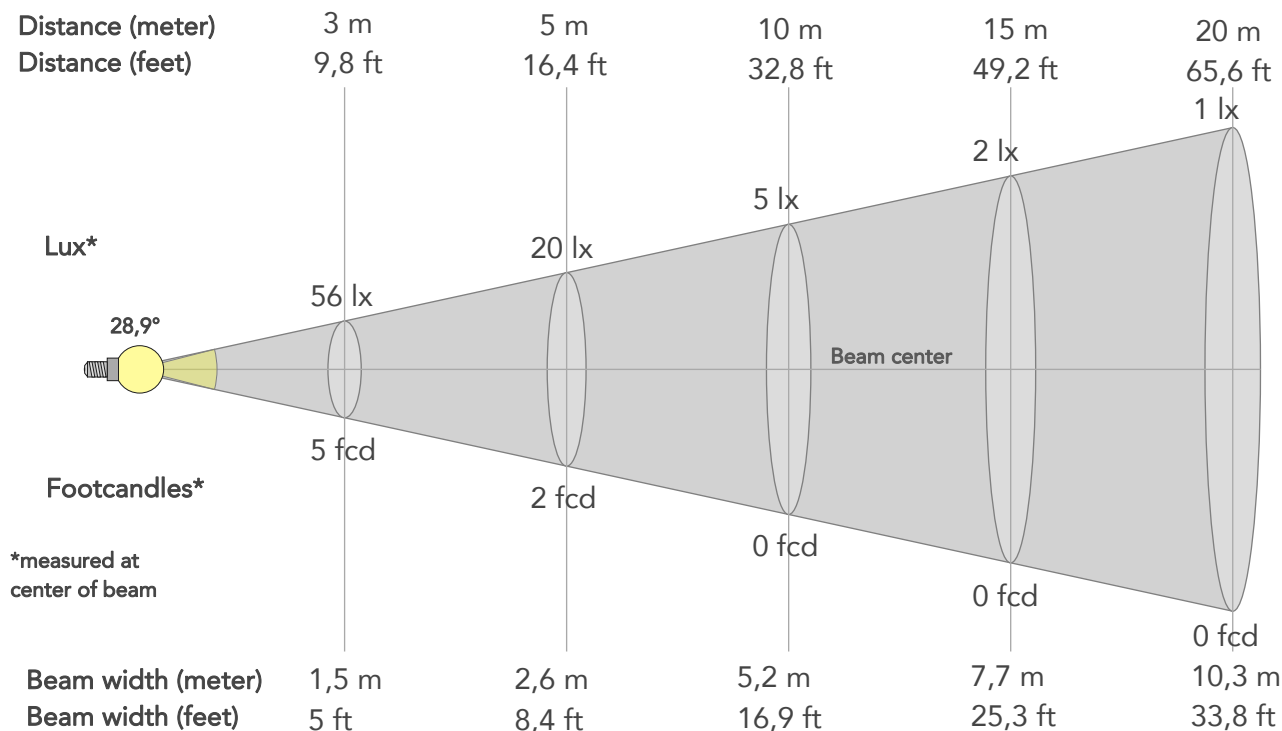
Spectra



BEAM DETAILS



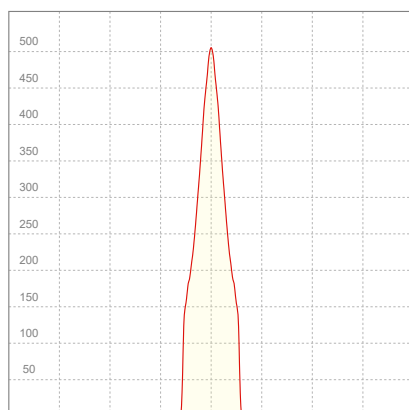
| | | | | |
|----------------|-----------------|--------------------|------------------------------|-----------------------------|
| Beam angle 50% | Field angle 10% | Cut off angle 2,5% | Intensity ratio in 120° cone | Intensity ratio in 90° cone |
| 28,9° | 51,1° | 52,9° | 87,8% | 87,3% |



BEAM INTENSITIES AND WIDTHS

| Distance | 1m | 2m | 3m | 4m | 5m | 7,5m | 10m | 15m | 20m | 25m | 30m | 40m | 50m |
|-----------|-------|-------|-------|--------|--------|--------|--------|--------|--------|--------|--------|---------|--------|
| Distance | 3,3ft | 6,6ft | 9,8ft | 13,1ft | 16,4ft | 24,6ft | 32,8ft | 49,2ft | 65,6ft | 82ft | 98,4ft | 131,2ft | 164ft |
| Lux | 505lx | 126lx | 56lx | 32lx | 20lx | 9lx | 5lx | 2lx | 1lx | 1lx | 1lx | 0lx | 0lx |
| Footcand. | 47fcd | 12fcd | 5fcd | 3fcd | 2fcd | 1fcd | 0fcd | 0fcd | 0fcd | 0fcd | 0fcd | 0fcd | 0fcd |
| Beam wid. | 0,5m | 1m | 1,5m | 2,1m | 2,6m | 3,9m | 5,2m | 7,7m | 10,3m | 12,9m | 15,5m | 20,6m | 25,8m |
| Beam wid. | 1,7ft | 3,4ft | 5ft | 6,7ft | 8,4ft | 12,7ft | 16,9ft | 25,3ft | 33,8ft | 42,2ft | 50,7ft | 67,6ft | 84,5ft |

LINEAR DISTRIBUTION DIAGRAM

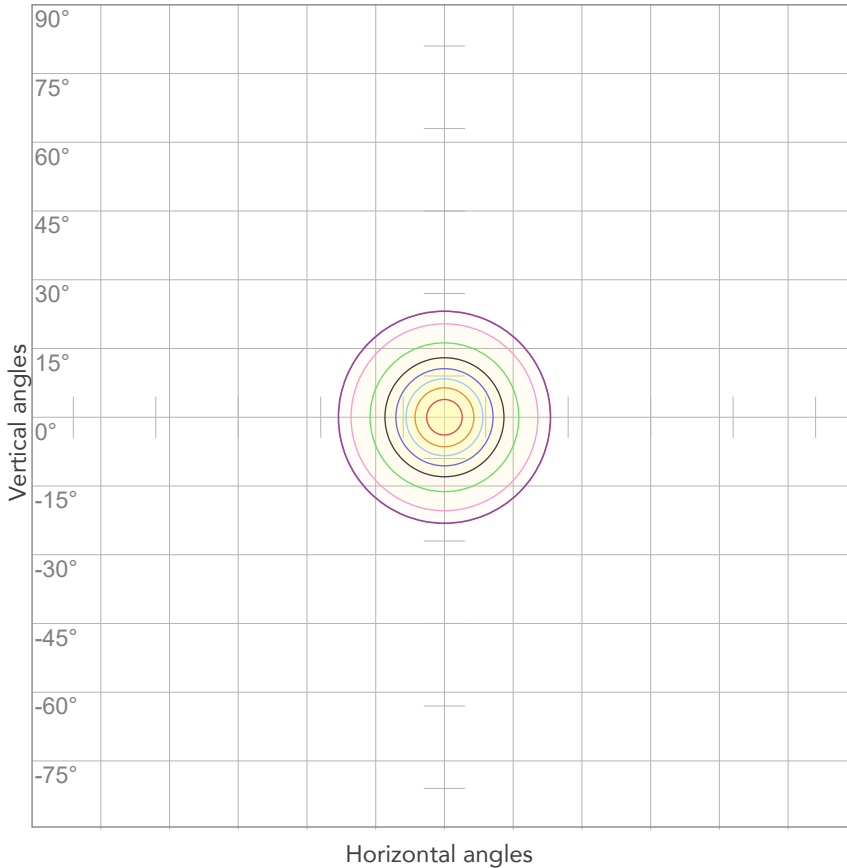


ELECTRICAL SPECIFICATIONS

| Input voltage | Input current | Input power | Effeciency |
|---------------|---------------|-------------|------------|
| 226V | 0,199A | 35,8W | 5lm/W |

| Power FC |
|----------|
| 0,8 |

ISO CANDELA DIAGRAM



| | |
|-----|--------|
| 10% | 50 cd |
| 20% | 101 cd |
| 30% | 151 cd |
| 40% | 202 cd |
| 50% | 252 cd |
| 60% | 303 cd |
| 70% | 353 cd |
| 80% | 404 cd |

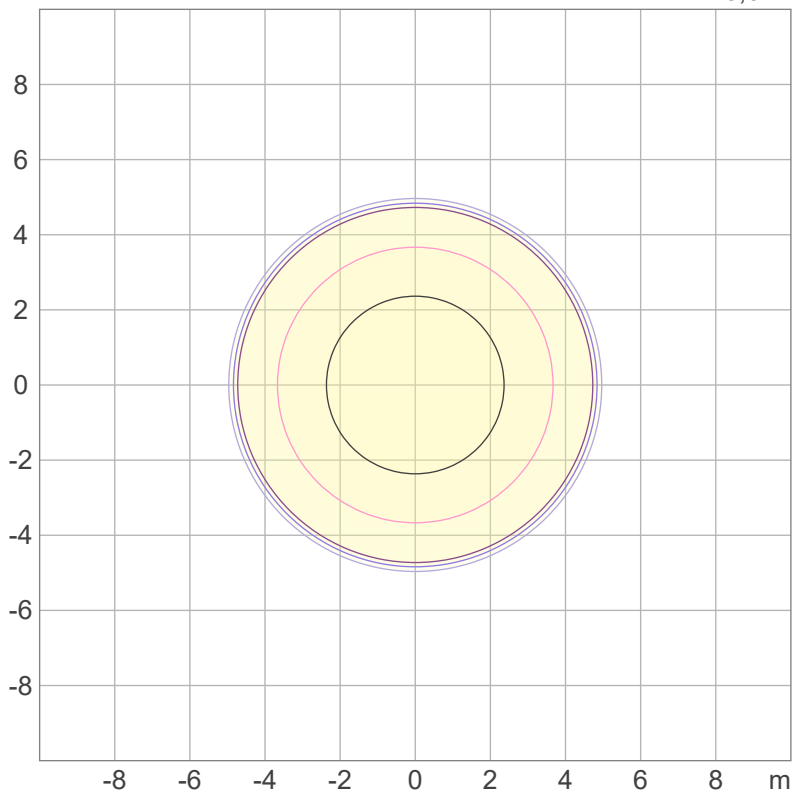
Conditions:

Number of c-planes: 2

Candela at center: 505 cd

ISO LUX DIAGRAM

MH: 10,0 m



| | |
|-----|----------|
| 3% | 0,151 lx |
| 5% | 0,252 lx |
| 10% | 0,505 lx |
| 30% | 1,51 lx |
| 50% | 2,52 lx |

Conditions:

Number of c-planes: 2

Lux at center: 5,05 lx

Lux distribution on a surface when lamp is mounted at 10 meters from the surface.



Total lumen output:

103 lm

Peak candela output:

242 cd

PRODUCT NAME:

Mosaico FX100 FC

MEASUREMENT CONDITIONS:

Beam angle:

Optic 70° LWGVV

Target:

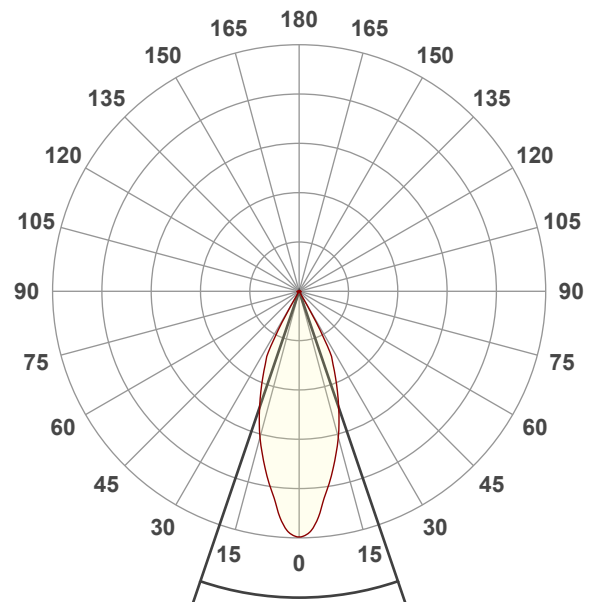
Red

Operator:

Salvatore Giglio

Date and time:

12/01/2023 13:02:57

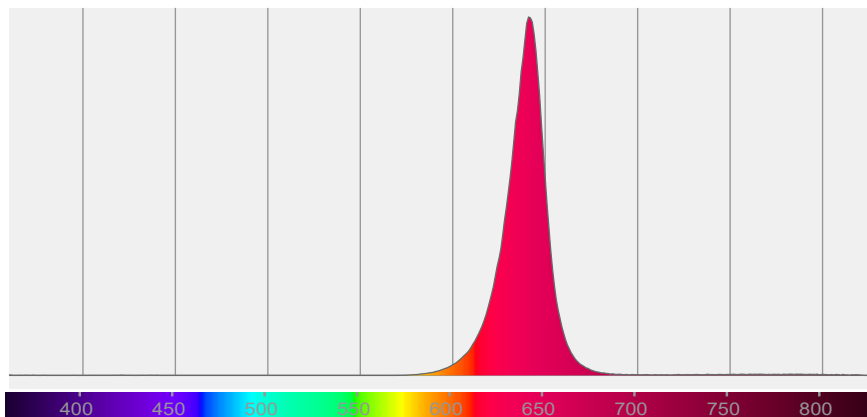


Beam angle 50%: 37,6°

Field angle 10%: 59,1°

Cut off angle 2.5%: 61,4°

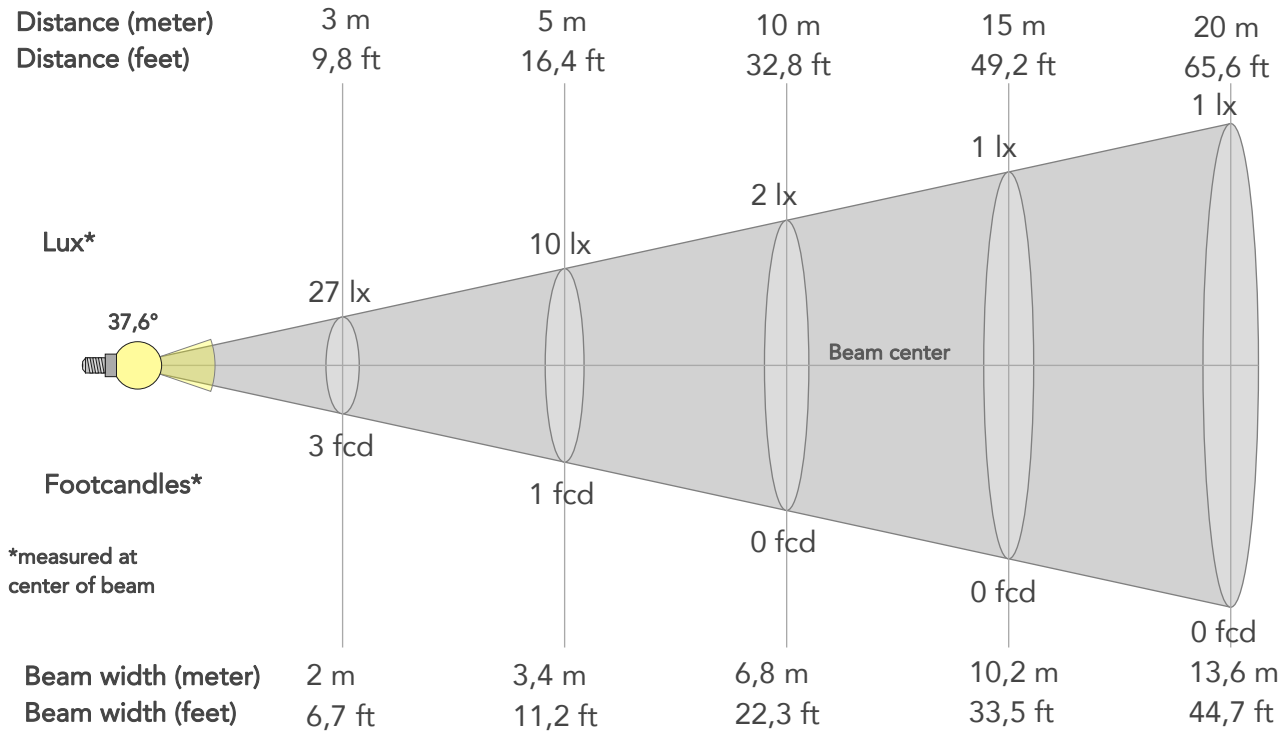
Spectra



BEAM DETAILS



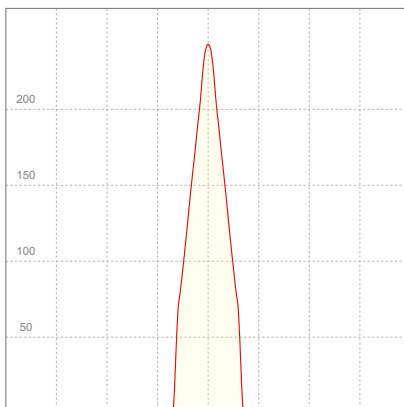
| | | | | |
|----------------|-----------------|--------------------|------------------------------|-----------------------------|
| Beam angle 50% | Field angle 10% | Cut off angle 2,5% | Intensity ratio in 120° cone | Intensity ratio in 90° cone |
| 37,6° | 59,1° | 61,4° | 93,2% | 92,3% |



BEAM INTENSITIES AND WIDTHS

| Distance | 1m | 2m | 3m | 4m | 5m | 7,5m | 10m | 15m | 20m | 25m | 30m | 40m | 50m |
|-----------|-------|-------|-------|--------|--------|--------|--------|--------|--------|--------|--------|---------|---------|
| Distance | 3,3ft | 6,6ft | 9,8ft | 13,1ft | 16,4ft | 24,6ft | 32,8ft | 49,2ft | 65,6ft | 82ft | 98,4ft | 131,2ft | 164ft |
| Lux | 242lx | 61lx | 27lx | 15lx | 10lx | 4lx | 2lx | 1lx | 1lx | 0lx | 0lx | 0lx | 0lx |
| Footcand. | 23fcd | 6fcd | 3fcd | 1fcd | 1fcd | 0fcd | 0fcd | 0fcd | 0fcd | 0fcd | 0fcd | 0fcd | 0fcd |
| Beam wid. | 0,7m | 1,4m | 2m | 2,7m | 3,4m | 5,1m | 6,8m | 10,2m | 13,6m | 17m | 20,4m | 27,3m | 34,1m |
| Beam wid. | 2,2ft | 4,5ft | 6,7ft | 8,9ft | 11,2ft | 16,8ft | 22,3ft | 33,5ft | 44,7ft | 55,9ft | 67ft | 89,4ft | 111,7ft |

LINEAR DISTRIBUTION DIAGRAM

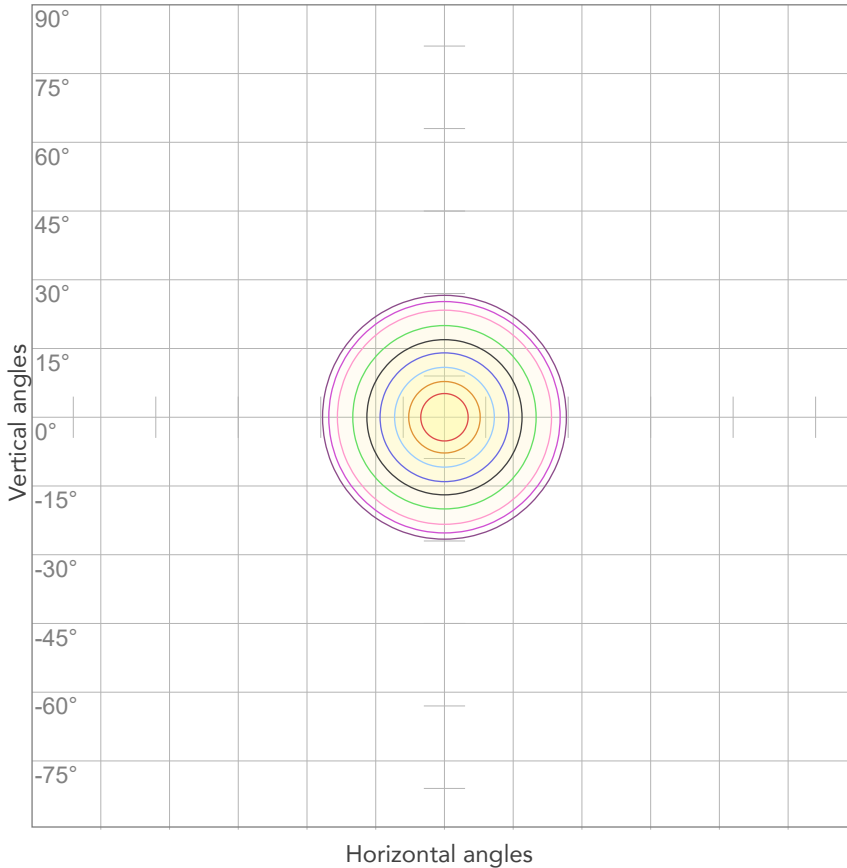


ELECTRICAL SPECIFICATIONS

| Input voltage | Input current | Input power | Effeciency |
|---------------|---------------|-------------|------------|
| 227V | 0,199A | 35,9W | 3lm/W |

| Power FC |
|----------|
| 0,8 |

ISO CANDELA DIAGRAM



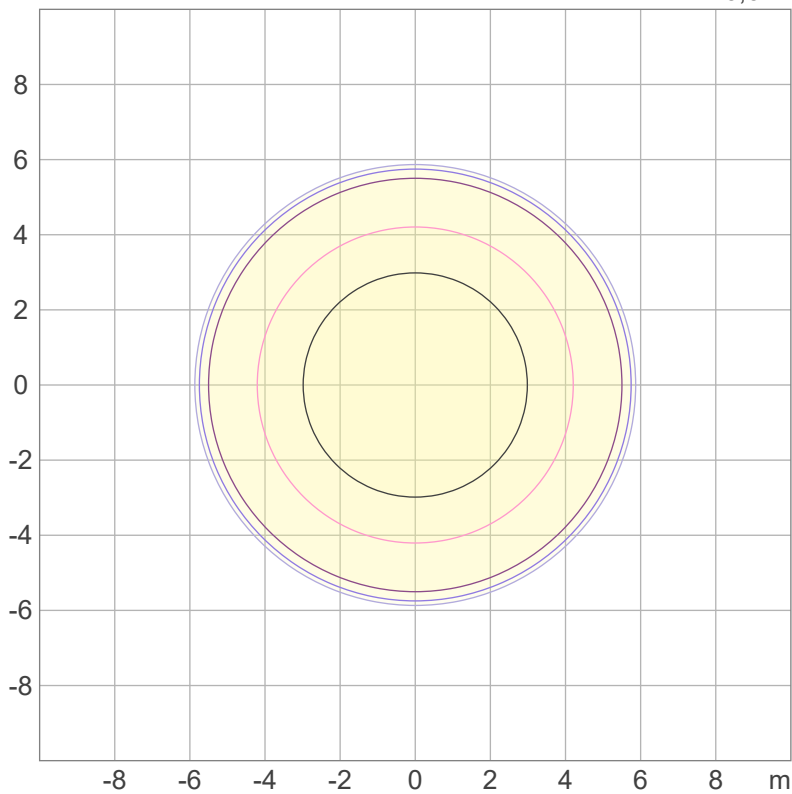
| | |
|-----|--------|
| 10% | 24 cd |
| 20% | 48 cd |
| 30% | 73 cd |
| 40% | 97 cd |
| 50% | 121 cd |
| 60% | 145 cd |
| 70% | 170 cd |
| 80% | 194 cd |

Conditions:

Number of c-planes: 2
Candela at center: 242 cd

ISO LUX DIAGRAM

MH: 10,0 m



Mounting height: 10 meters (33 feet)

| | |
|-----|----------|
| 3% | 72,7m lx |
| 5% | 0,121 lx |
| 10% | 0,242 lx |
| 30% | 0,727 lx |
| 50% | 1,21 lx |

Conditions:

Number of c-planes: 2
Lux at center: 2,42 lx

Lux distribution on a surface when lamp is mounted at 10 meters from the surface.



Total lumen output:

126 lm

Peak candela output:

471 cd

PRODUCT NAME:

Mosaico FX100 FC

MEASUREMENT CONDITIONS:

Beam angle:

Optic 30° LGBM

Target:

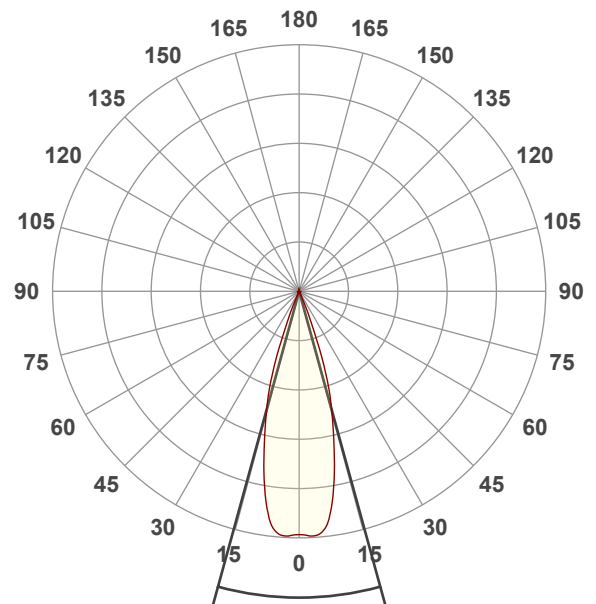
Red

Operator:

Salvatore Giglio

Date and time:

11/01/2023 17:34:35

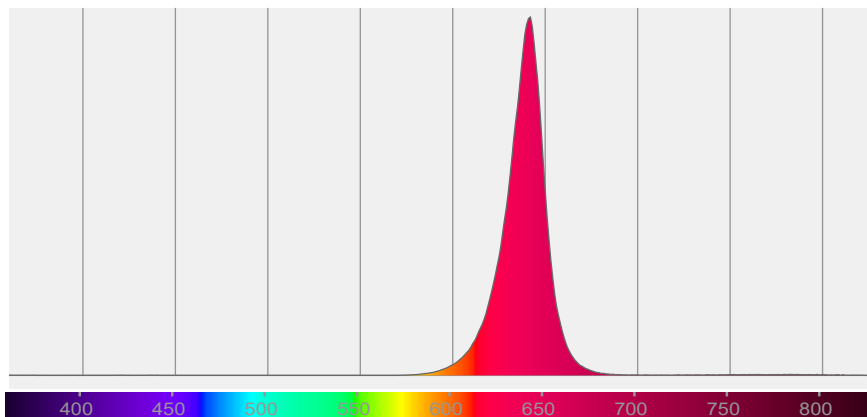


Beam angle 50%: 30,7°

Field angle 10%: 44,1°

Cut off angle 2.5%: 48,8°

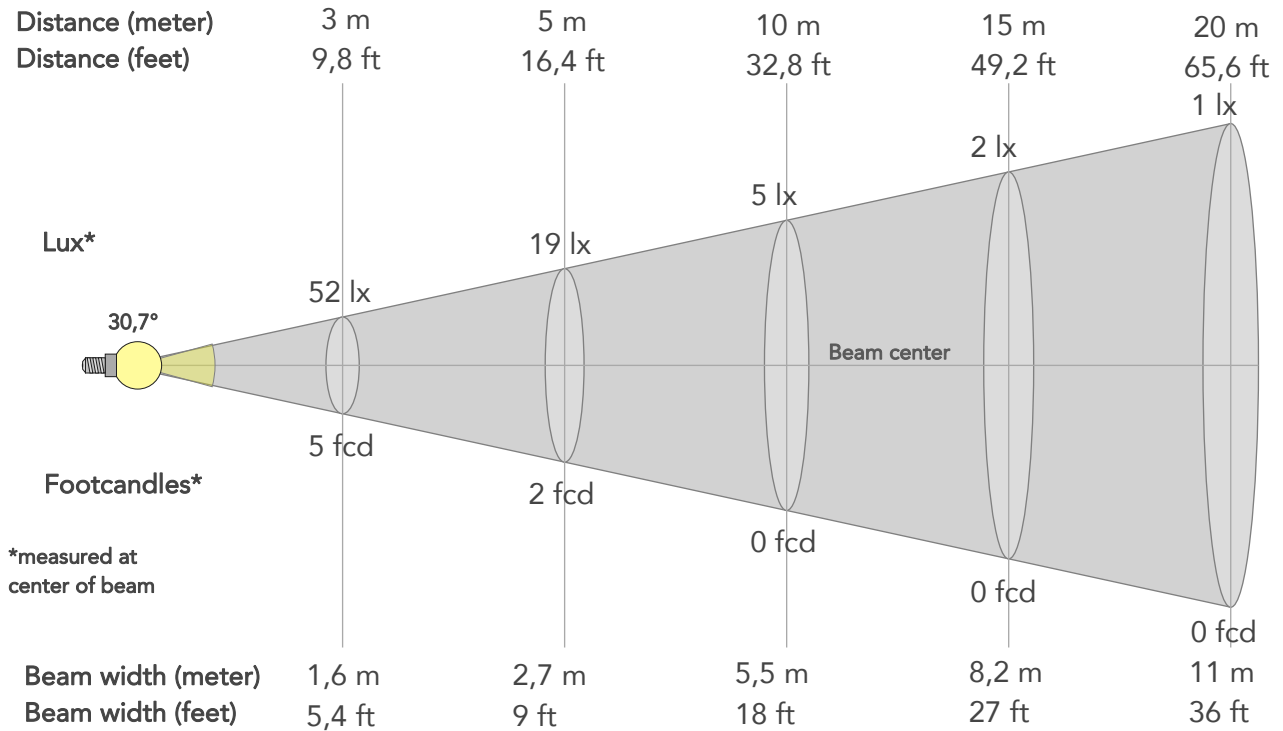
Spectra



BEAM DETAILS



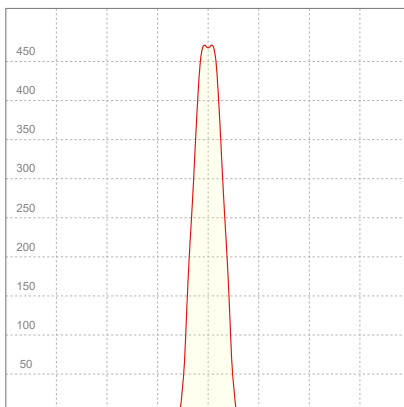
| | | | | |
|----------------|-----------------|--------------------|------------------------------|-----------------------------|
| Beam angle 50% | Field angle 10% | Cut off angle 2,5% | Intensity ratio in 120° cone | Intensity ratio in 90° cone |
| 30,7° | 44,1° | 48,8° | 92,0% | 91,8% |



BEAM INTENSITIES AND WIDTHS

| | | | | | | | | | | | | | |
|-----------|-------|-------|-------|--------|--------|--------|--------|--------|--------|--------|--------|---------|--------|
| Distance | 1m | 2m | 3m | 4m | 5m | 7,5m | 10m | 15m | 20m | 25m | 30m | 40m | 50m |
| Distance | 3,3ft | 6,6ft | 9,8ft | 13,1ft | 16,4ft | 24,6ft | 32,8ft | 49,2ft | 65,6ft | 82ft | 98,4ft | 131,2ft | 164ft |
| Lux | 468lx | 117lx | 52lx | 29lx | 19lx | 8lx | 5lx | 2lx | 1lx | 1lx | 1lx | 0lx | 0lx |
| Footcand. | 43fcd | 11fcd | 5fcd | 3fcd | 2fcd | 1fcd | 0fcd | 0fcd | 0fcd | 0fcd | 0fcd | 0fcd | 0fcd |
| Beam wid. | 0,5m | 1,1m | 1,6m | 2,2m | 2,7m | 4,1m | 5,5m | 8,2m | 11m | 13,7m | 16,5m | 22m | 27,5m |
| Beam wid. | 1,8ft | 3,6ft | 5,4ft | 7,2ft | 9ft | 13,5ft | 18ft | 27ft | 36ft | 45,1ft | 54,1ft | 72,1ft | 90,1ft |

LINEAR DISTRIBUTION DIAGRAM

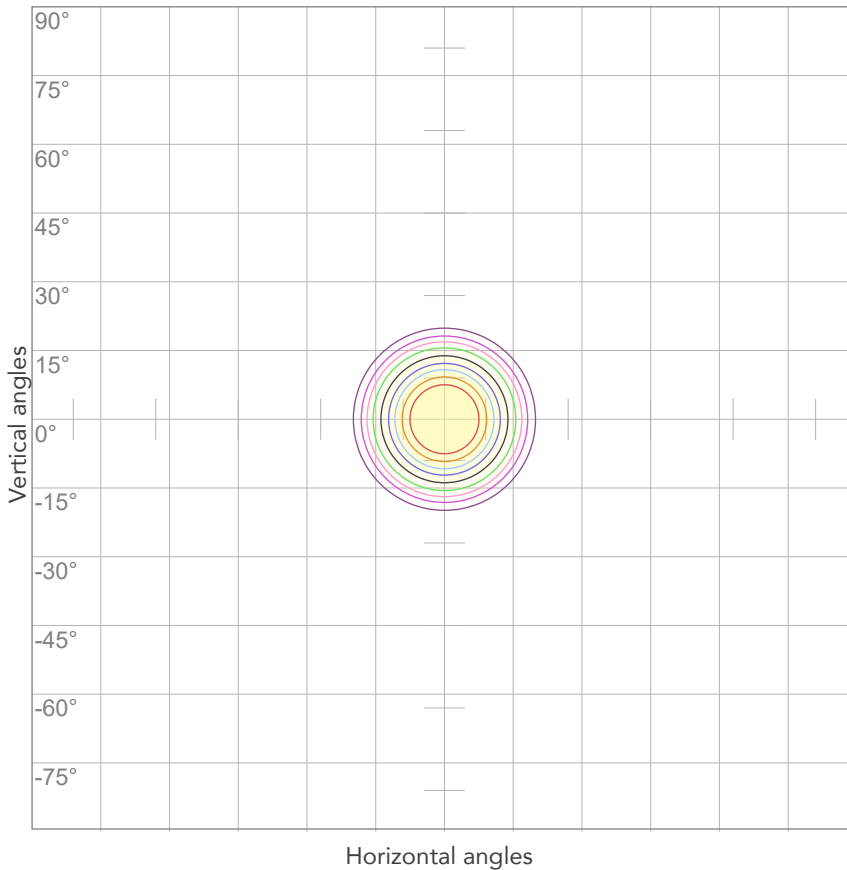


ELECTRICAL SPECIFICATIONS

| | | | |
|---------------|---------------|-------------|------------|
| Input voltage | Input current | Input power | Effeciency |
| 226V | 0,201A | 36,1W | 3lm/W |

| |
|----------|
| Power FC |
| 0,8 |

ISO CANDELA DIAGRAM



| | |
|-----|--------|
| 10% | 47 cd |
| 20% | 94 cd |
| 30% | 140 cd |
| 40% | 187 cd |
| 50% | 234 cd |
| 60% | 281 cd |
| 70% | 328 cd |
| 80% | 374 cd |

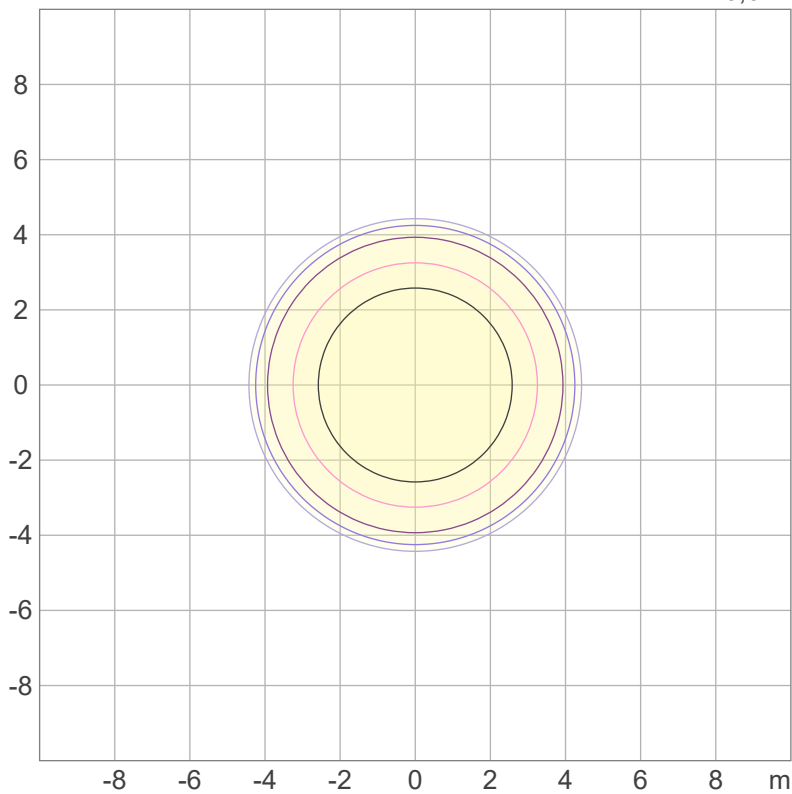
Conditions:

Number of c-planes: 2

Candela at center: 468 cd

ISO LUX DIAGRAM

MH: 10,0 m



| | |
|-----|----------|
| 3% | 0,140 lx |
| 5% | 0,234 lx |
| 10% | 0,468 lx |
| 30% | 1,40 lx |
| 50% | 2,34 lx |

Conditions:

Number of c-planes: 2

Lux at center: 4,68 lx

Lux distribution on a surface when lamp is mounted at 10 meters from the surface.



Total lumen output:

108 lm

Peak candela output:

230 cd

PRODUCT NAME:

Mosaico FX100 FC

MEASUREMENT CONDITIONS:

Beam angle:

Optic 50° LGBW

Target:

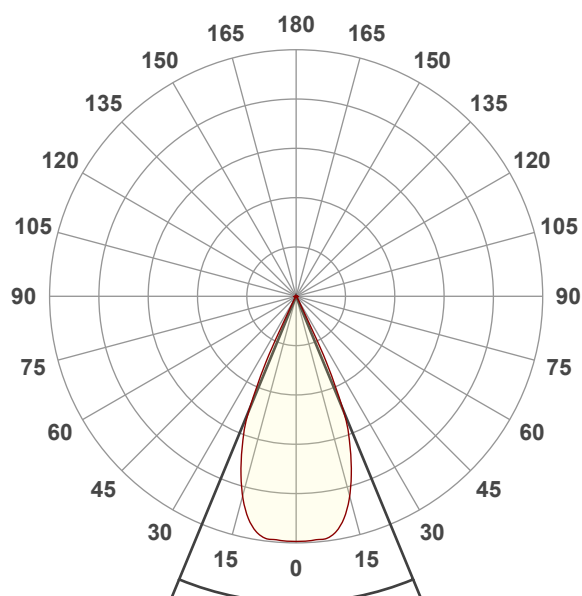
Red

Operator:

Salvatore Giglio

Date and time:

12/01/2023 11:40:05

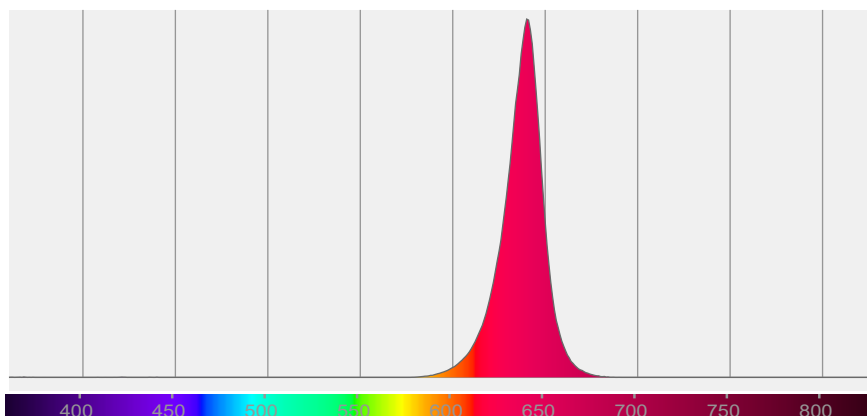


Beam angle 50%: 44,9°

Field angle 10%: 53,3°

Cut off angle 2.5%: 56,8°

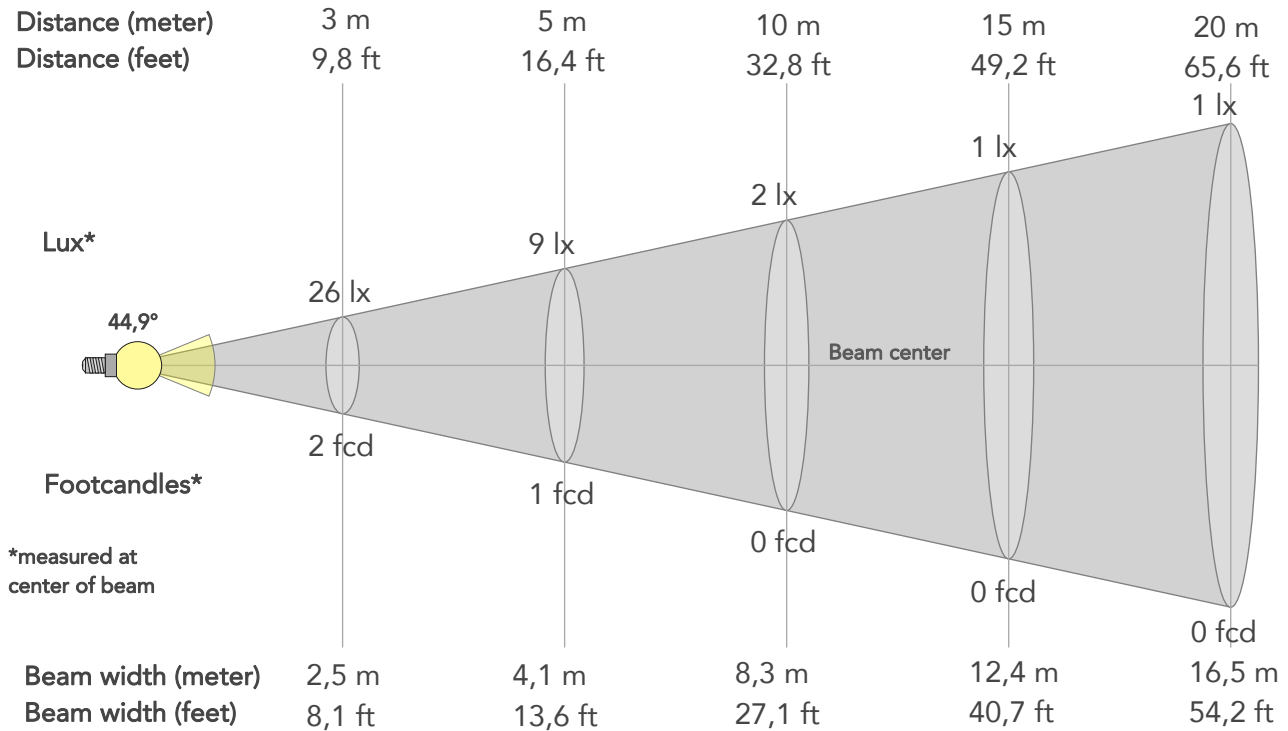
Spectra



BEAM DETAILS



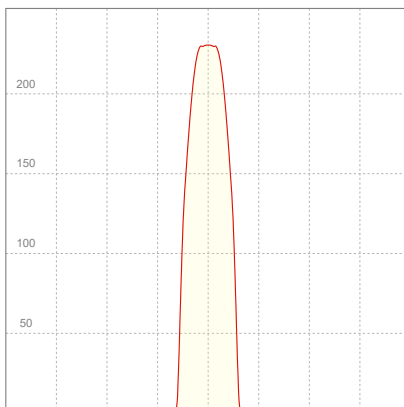
| | | | | |
|----------------|-----------------|--------------------|------------------------------|-----------------------------|
| Beam angle 50% | Field angle 10% | Cut off angle 2,5% | Intensity ratio in 120° cone | Intensity ratio in 90° cone |
| 44,9° | 53,3° | 56,8° | 94,2% | 93,8% |



BEAM INTENSITIES AND WIDTHS

| Distance | 1m | 2m | 3m | 4m | 5m | 7,5m | 10m | 15m | 20m | 25m | 30m | 40m | 50m |
|-----------|-------|-------|-------|--------|--------|--------|--------|--------|--------|--------|--------|---------|---------|
| Distance | 3,3ft | 6,6ft | 9,8ft | 13,1ft | 16,4ft | 24,6ft | 32,8ft | 49,2ft | 65,6ft | 82ft | 98,4ft | 131,2ft | 164ft |
| Lux | 230lx | 58lx | 26lx | 14lx | 9lx | 4lx | 2lx | 1lx | 1lx | 0lx | 0lx | 0lx | 0lx |
| Footcand. | 21fcd | 5fcd | 2fcd | 1fcd | 1fcd | 0fcd | 0fcd | 0fcd | 0fcd | 0fcd | 0fcd | 0fcd | 0fcd |
| Beam wid. | 0,8m | 1,7m | 2,5m | 3,3m | 4,1m | 6,2m | 8,3m | 12,4m | 16,5m | 20,7m | 24,8m | 33,1m | 41,3m |
| Beam wid. | 2,7ft | 5,5ft | 8,1ft | 10,8ft | 13,6ft | 20,3ft | 27,1ft | 40,7ft | 54,2ft | 67,8ft | 81,3ft | 108,4ft | 135,6ft |

LINEAR DISTRIBUTION DIAGRAM

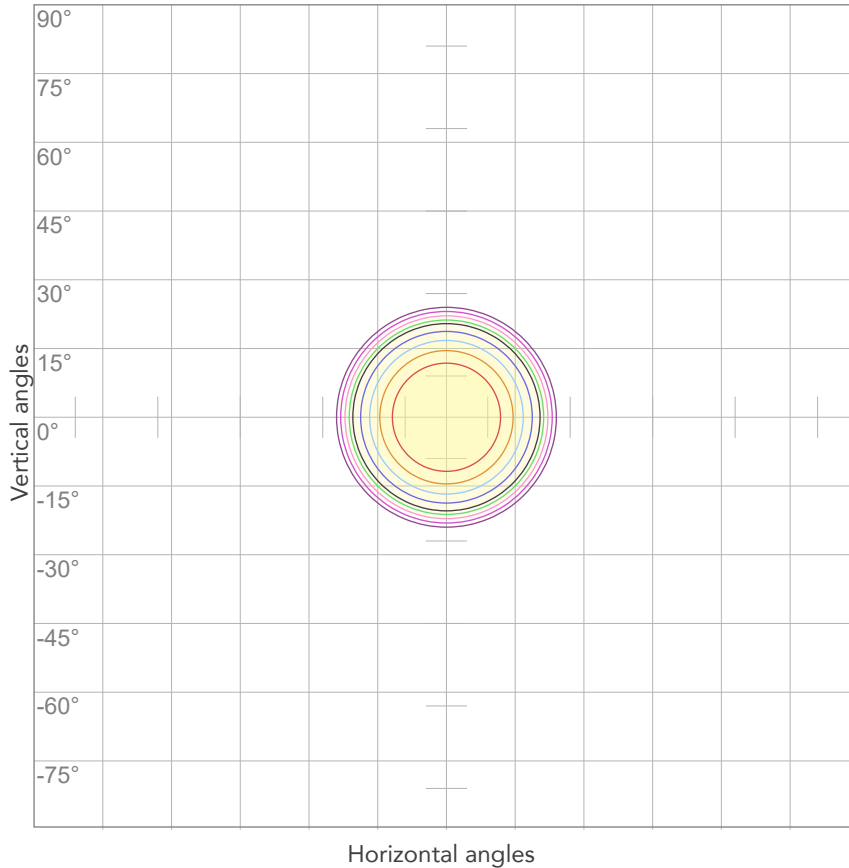


ELECTRICAL SPECIFICATIONS

| Input voltage | Input current | Input power | Effeciency |
|---------------|---------------|-------------|------------|
| 226V | 0,200A | 35,9W | 3lm/W |

| Power FC |
|----------|
| 0,79 |

ISO CANDELA DIAGRAM



| | |
|-----|--------|
| 10% | 23 cd |
| 20% | 46 cd |
| 30% | 69 cd |
| 40% | 92 cd |
| 50% | 115 cd |
| 60% | 138 cd |
| 70% | 161 cd |
| 80% | 184 cd |

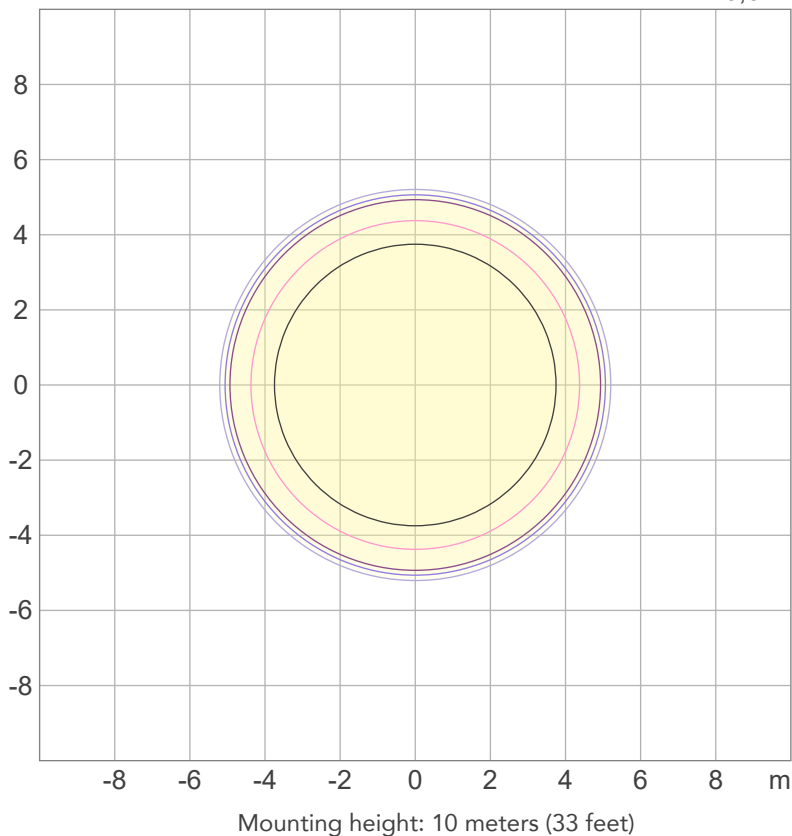
Conditions:

Number of c-planes: 2

Candela at center: 230 cd

ISO LUX DIAGRAM

MH: 10,0 m



| | |
|-----|----------|
| 3% | 69,1m lx |
| 5% | 0,115 lx |
| 10% | 0,230 lx |
| 30% | 0,691 lx |
| 50% | 1,15 lx |

Conditions:

Number of c-planes: 2

Lux at center: 2,30 lx

Lux distribution on a surface when lamp is mounted at 10 meters from the surface.



Total lumen output:

400 lm

Peak candela output:

5249 cd

PRODUCT NAME:

Mosaico FX100 FC

MEASUREMENT CONDITIONS:

Beam angle:

Optic 15° LWGN

Target:

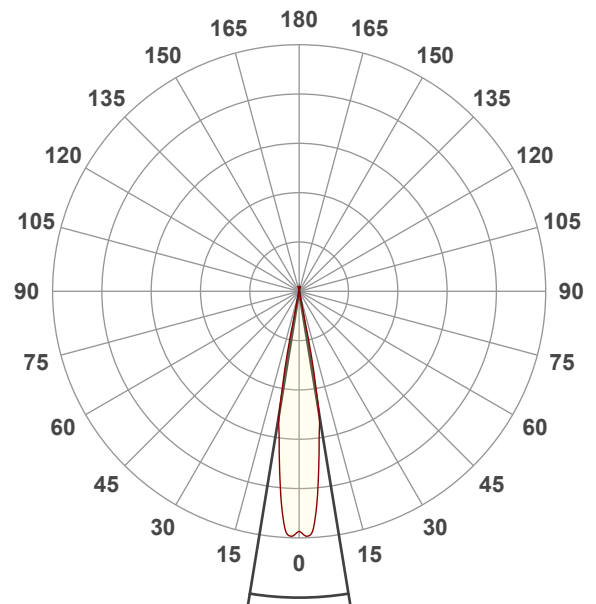
Green

Operator:

Salvatore Giglio

Date and time:

11/01/2023 15:38:05

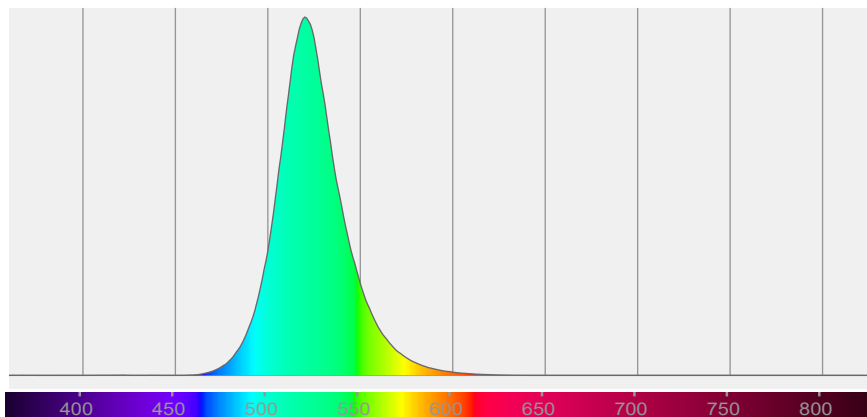


Beam angle 50%: 18,5°

Field angle 10%: 23,4°

Cut off angle 2.5%: 24,2°

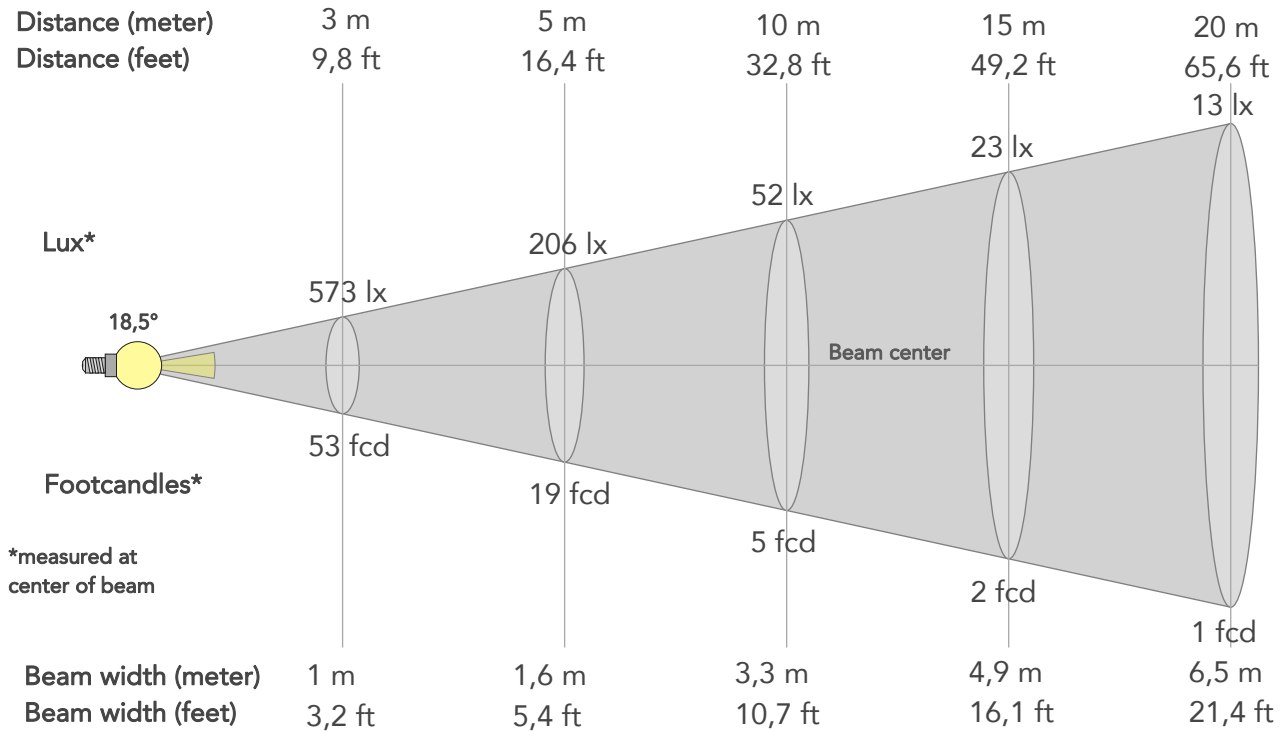
Spectra



BEAM DETAILS



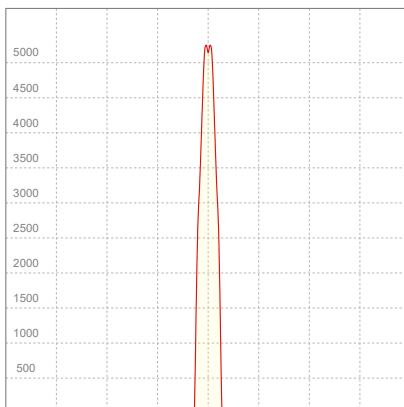
| | | | | |
|----------------|-----------------|--------------------|------------------------------|-----------------------------|
| Beam angle 50% | Field angle 10% | Cut off angle 2,5% | Intensity ratio in 120° cone | Intensity ratio in 90° cone |
| 18,5° | 23,4° | 24,2° | 98,3% | 98,3% |



BEAM INTENSITIES AND WIDTHS

| Distance | 1m | 2m | 3m | 4m | 5m | 7,5m | 10m | 15m | 20m | 25m | 30m | 40m | 50m |
|-----------|--------|--------|-------|--------|--------|--------|--------|--------|--------|--------|--------|---------|--------|
| Distance | 3,3ft | 6,6ft | 9,8ft | 13,1ft | 16,4ft | 24,6ft | 32,8ft | 49,2ft | 65,6ft | 82ft | 98,4ft | 131,2ft | 164ft |
| Lux | 5153lx | 1288lx | 573lx | 322lx | 206lx | 92lx | 52lx | 23lx | 13lx | 8lx | 6lx | 3lx | 2lx |
| Footcand. | 479fcd | 120fcd | 53fcd | 30fcd | 19fcd | 9fcd | 5fcd | 2fcd | 1fcd | 1fcd | 1fcd | 0fcd | 0fcd |
| Beam wid. | 0,3m | 0,7m | 1m | 1,3m | 1,6m | 2,4m | 3,3m | 4,9m | 6,5m | 8,2m | 9,8m | 13,1m | 16,3m |
| Beam wid. | 1,1ft | 2,2ft | 3,2ft | 4,3ft | 5,4ft | 8ft | 10,7ft | 16,1ft | 21,4ft | 26,8ft | 32,1ft | 42,8ft | 53,5ft |

LINEAR DISTRIBUTION DIAGRAM

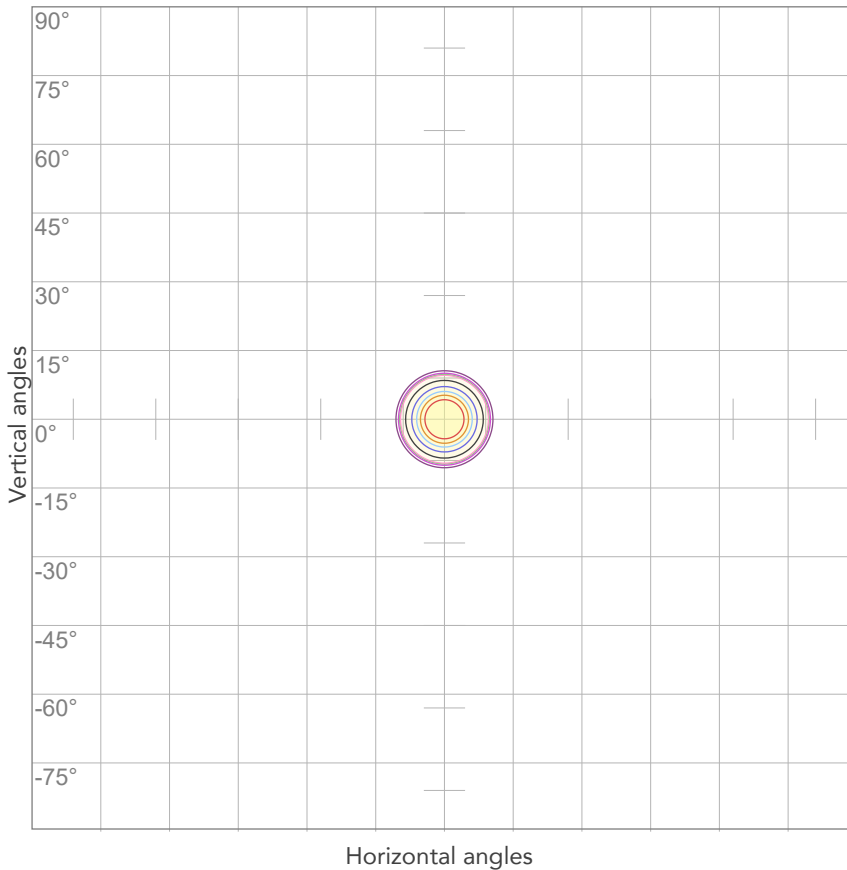


ELECTRICAL SPECIFICATIONS

| Input voltage | Input current | Input power | Effeciency |
|---------------|---------------|-------------|------------|
| 226V | 0,211A | 38,6W | 10lm/W |

| Power FC |
|----------|
| 0,81 |

ISO CANDELA DIAGRAM



| | |
|-----|---------|
| 10% | 515 cd |
| 20% | 1031 cd |
| 30% | 1546 cd |
| 40% | 2061 cd |
| 50% | 2576 cd |
| 60% | 3092 cd |
| 70% | 3607 cd |
| 80% | 4122 cd |

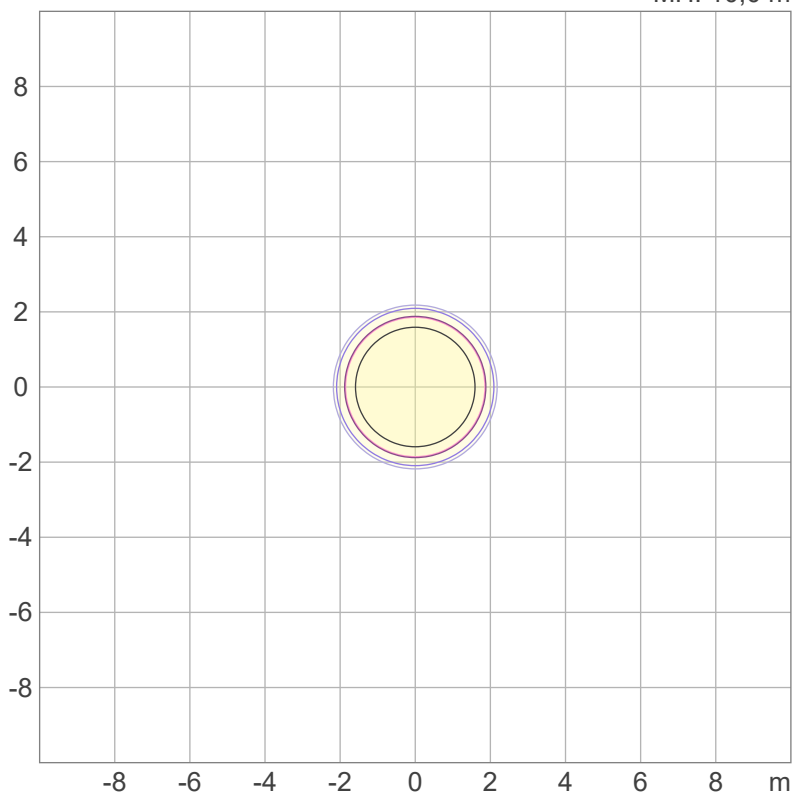
Conditions:

Number of c-planes: 2

Candela at center: 5153 cd

ISO LUX DIAGRAM

MH: 10,0 m



| | |
|-----|---------|
| 3% | 1,55 lx |
| 5% | 2,58 lx |
| 10% | 5,15 lx |
| 30% | 15,5 lx |
| 50% | 25,8 lx |

Conditions:

Number of c-planes: 2

Lux at center: 51,5 lx

Lux distribution on a surface when lamp is mounted at 10 meters from the surface.



Total lumen output:

403 lm

Peak candela output:

3269 cd

PRODUCT NAME:

Mosaico FX100 FC

MEASUREMENT CONDITIONS:

Beam angle:

Optic 30° LWTM

Target:

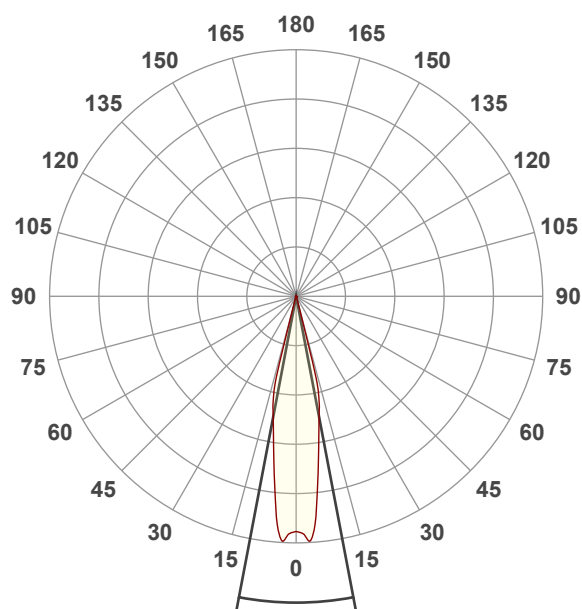
Green

Operator:

Salvatore Giglio

Date and time:

11/01/2023 16:40:25

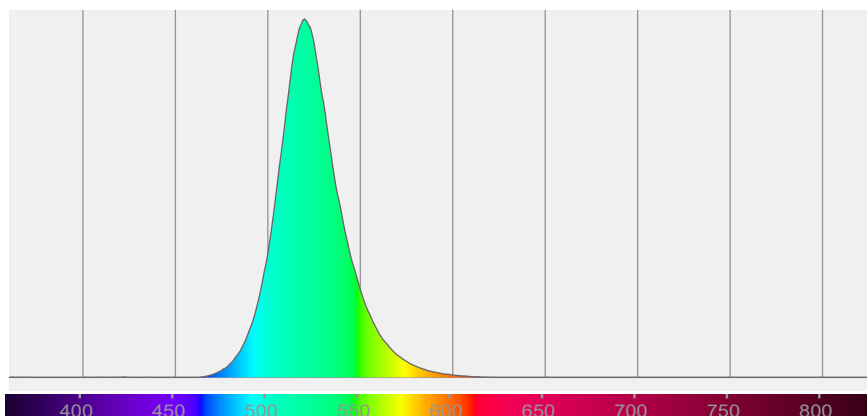


Beam angle 50%: 21,5°

Field angle 10%: 30°

Cut off angle 2.5%: 32,1°

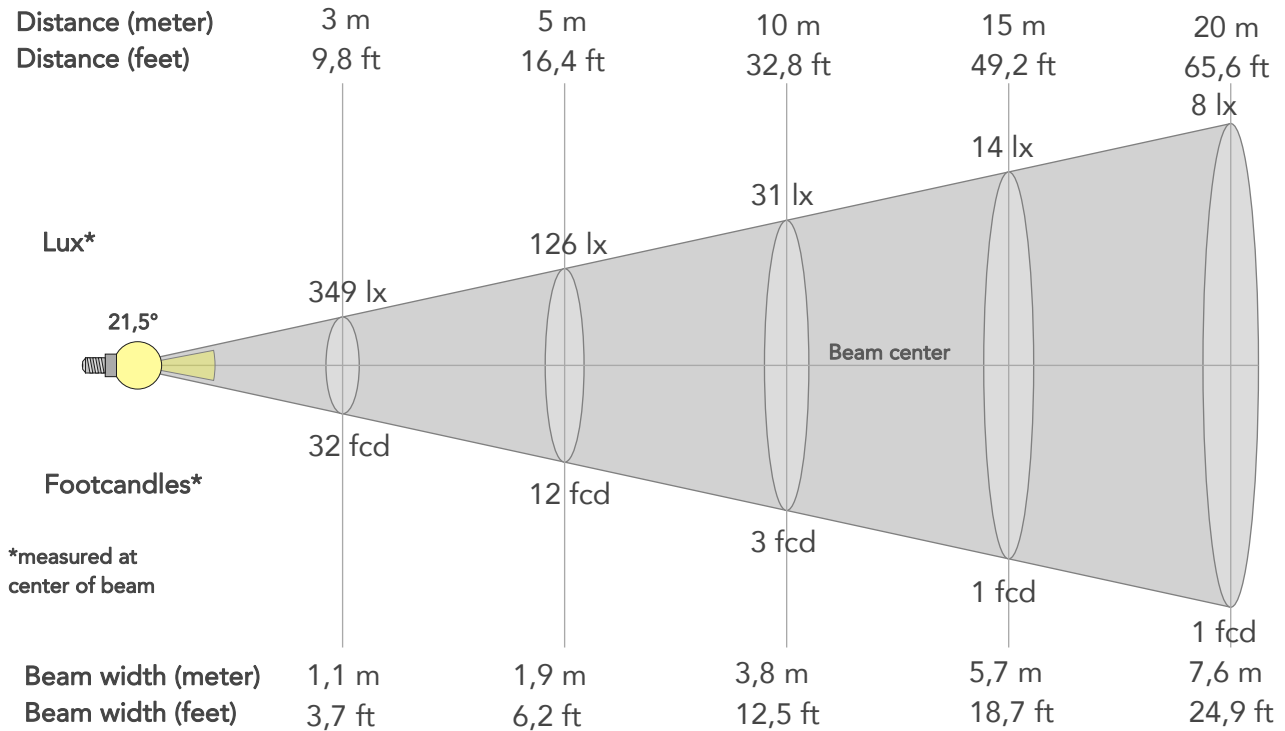
Spectra



BEAM DETAILS



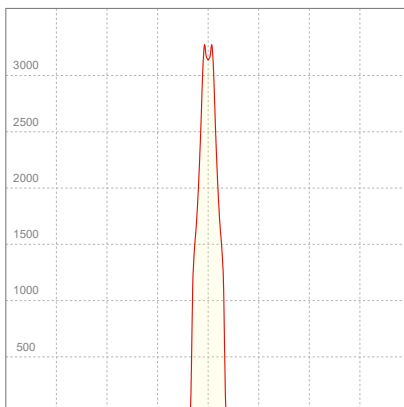
| | | | | |
|----------------|-----------------|--------------------|------------------------------|-----------------------------|
| Beam angle 50% | Field angle 10% | Cut off angle 2,5% | Intensity ratio in 120° cone | Intensity ratio in 90° cone |
| 21,5° | 30° | 32,1° | 96,4% | 96,4% |



BEAM INTENSITIES AND WIDTHS

| | | | | | | | | | | | | | |
|-----------|--------|-------|-------|--------|--------|--------|--------|--------|--------|--------|--------|---------|--------|
| Distance | 1m | 2m | 3m | 4m | 5m | 7,5m | 10m | 15m | 20m | 25m | 30m | 40m | 50m |
| Distance | 3,3ft | 6,6ft | 9,8ft | 13,1ft | 16,4ft | 24,6ft | 32,8ft | 49,2ft | 65,6ft | 82ft | 98,4ft | 131,2ft | 164ft |
| Lux | 3141lx | 785lx | 349lx | 196lx | 126lx | 56lx | 31lx | 14lx | 8lx | 5lx | 3lx | 2lx | 1lx |
| Footcand. | 292fcd | 73fcd | 32fcd | 18fcd | 12fcd | 5fcd | 3fcd | 1fcd | 1fcd | 0fcd | 0fcd | 0fcd | 0fcd |
| Beam wid. | 0,4m | 0,8m | 1,1m | 1,5m | 1,9m | 2,9m | 3,8m | 5,7m | 7,6m | 9,5m | 11,4m | 15,2m | 19m |
| Beam wid. | 1,3ft | 2,5ft | 3,7ft | 5ft | 6,2ft | 9,4ft | 12,5ft | 18,7ft | 24,9ft | 31,2ft | 37,4ft | 49,9ft | 62,4ft |

LINEAR DISTRIBUTION DIAGRAM

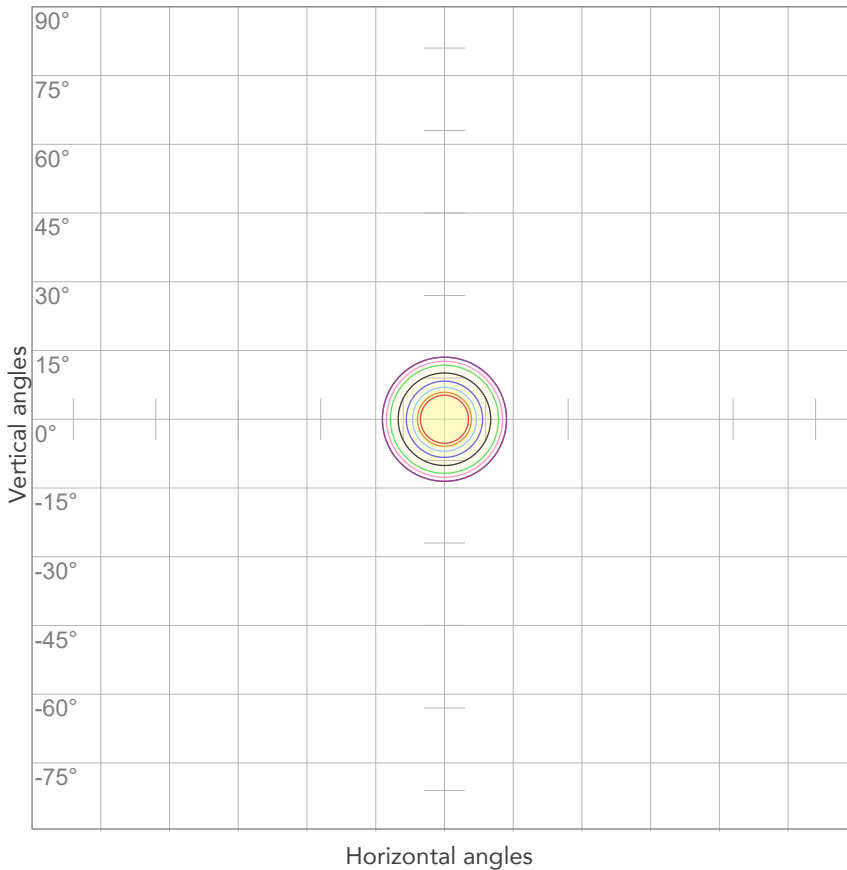


ELECTRICAL SPECIFICATIONS

| | | | |
|---------------|---------------|-------------|------------|
| Input voltage | Input current | Input power | Effeciency |
| 223V | 0,213A | 38,9W | 10lm/W |

| |
|----------|
| Power FC |
| 0,82 |

ISO CANDELA DIAGRAM



| | |
|-----|---------|
| 10% | 314 cd |
| 20% | 628 cd |
| 30% | 942 cd |
| 40% | 1256 cd |
| 50% | 1571 cd |
| 60% | 1885 cd |
| 70% | 2199 cd |
| 80% | 2513 cd |

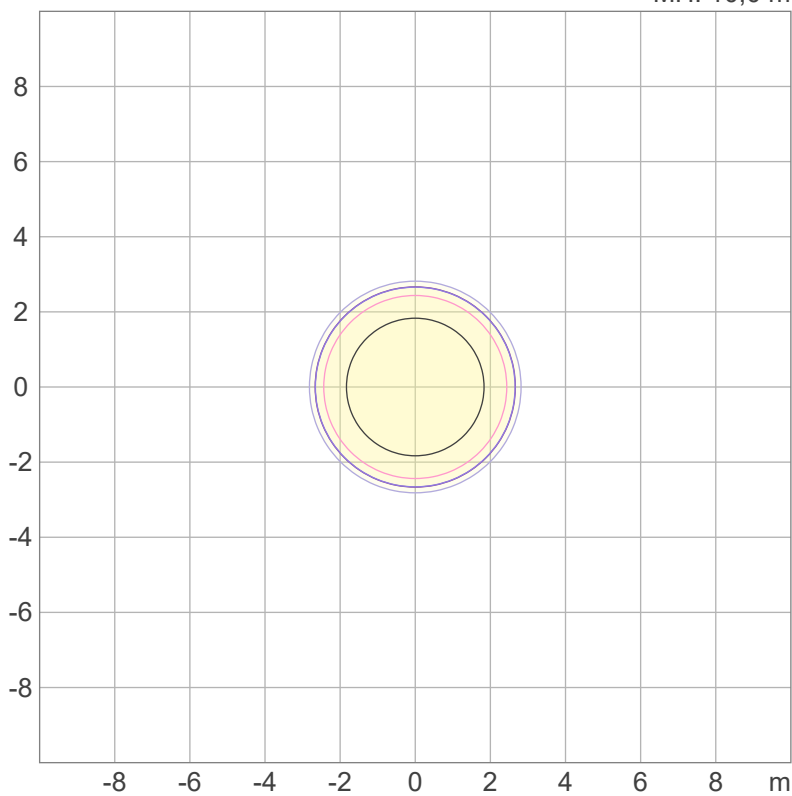
Conditions:

Number of c-planes: 2

Candela at center: 3141 cd

ISO LUX DIAGRAM

MH: 10,0 m



| | |
|-----|----------|
| 3% | 0,942 lx |
| 5% | 1,57 lx |
| 10% | 3,14 lx |
| 30% | 9,42 lx |
| 50% | 15,7 lx |

Conditions:

Number of c-planes: 2

Lux at center: 31,4 lx

Lux distribution on a surface when lamp is mounted at 10 meters from the surface.



Total lumen output:

440 lm

Peak candela output:

1652 cd

PRODUCT NAME:

Mosaico FX100 FC

MEASUREMENT CONDITIONS:

Beam angle:

Optic 50° LWTW

Target:

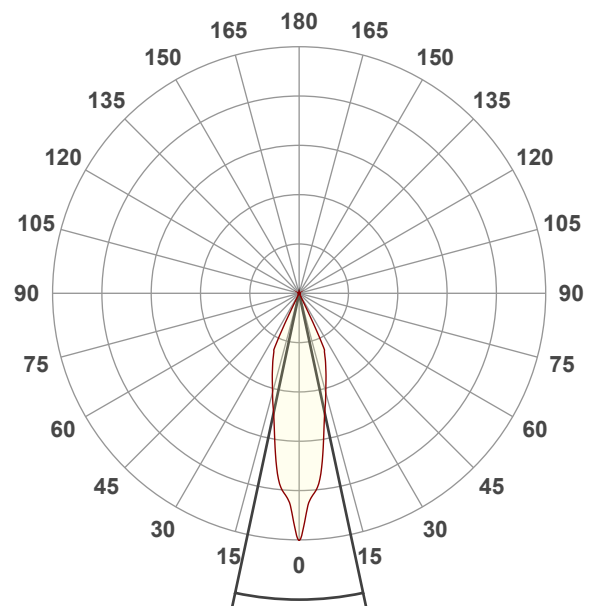
Green

Operator:

Salvatore Giglio

Date and time:

12/01/2023 11:13:45

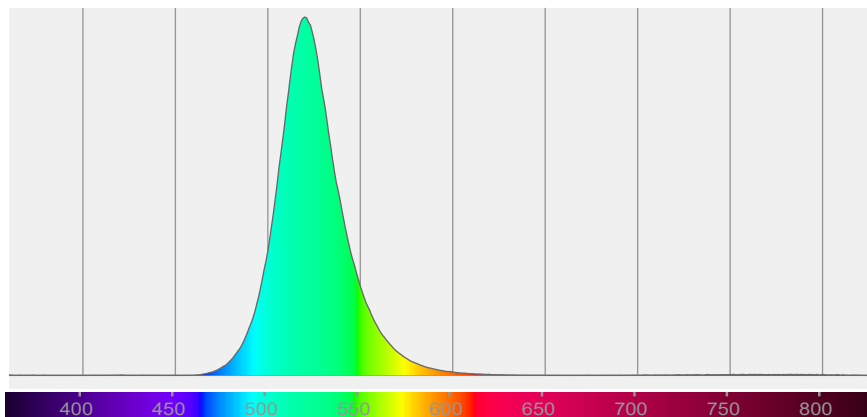


Beam angle 50%: 24,1°

Field angle 10%: 51,2°

Cut off angle 2.5%: 52,5°

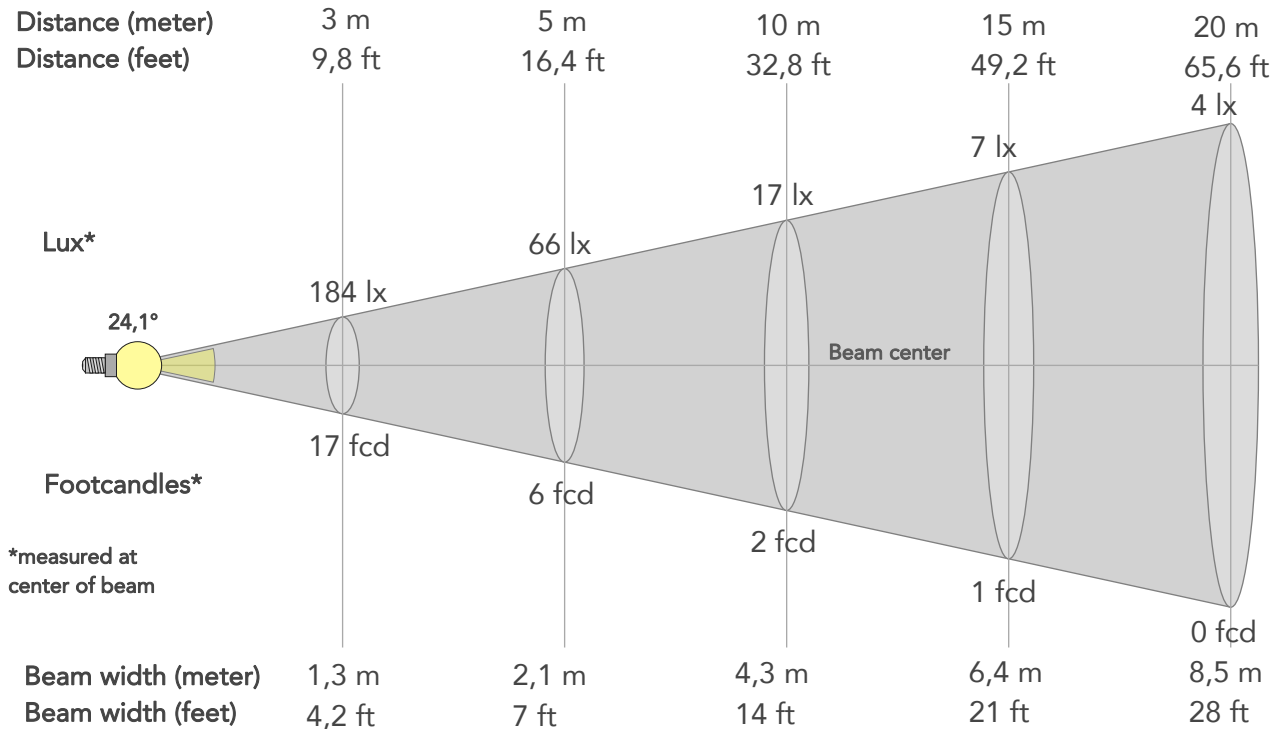
Spectra



BEAM DETAILS



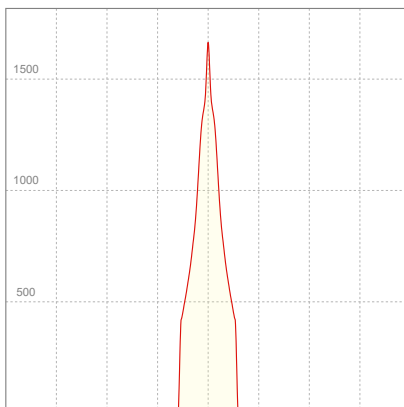
| | | | | |
|----------------|-----------------|--------------------|------------------------------|-----------------------------|
| Beam angle 50% | Field angle 10% | Cut off angle 2,5% | Intensity ratio in 120° cone | Intensity ratio in 90° cone |
| 24,1° | 51,2° | 52,5° | 94,2% | 93,8% |



BEAM INTENSITIES AND WIDTHS

| | | | | | | | | | | | | | |
|-----------|--------|-------|-------|--------|--------|--------|--------|--------|--------|-------|--------|---------|-------|
| Distance | 1m | 2m | 3m | 4m | 5m | 7,5m | 10m | 15m | 20m | 25m | 30m | 40m | 50m |
| Distance | 3,3ft | 6,6ft | 9,8ft | 13,1ft | 16,4ft | 24,6ft | 32,8ft | 49,2ft | 65,6ft | 82ft | 98,4ft | 131,2ft | 164ft |
| Lux | 1652lx | 413lx | 184lx | 103lx | 66lx | 29lx | 17lx | 7lx | 4lx | 3lx | 2lx | 1lx | 1lx |
| Footcand. | 153fcd | 38fcd | 17fcd | 10fcd | 6fcd | 3fcd | 2fcd | 1fcd | 0fcd | 0fcd | 0fcd | 0fcd | 0fcd |
| Beam wid. | 0,4m | 0,9m | 1,3m | 1,7m | 2,1m | 3,2m | 4,3m | 6,4m | 8,5m | 10,7m | 12,8m | 17,1m | 21,4m |
| Beam wid. | 1,4ft | 2,8ft | 4,2ft | 5,6ft | 7ft | 10,5ft | 14ft | 21ft | 28ft | 35ft | 42ft | 56ft | 70ft |

LINEAR DISTRIBUTION DIAGRAM

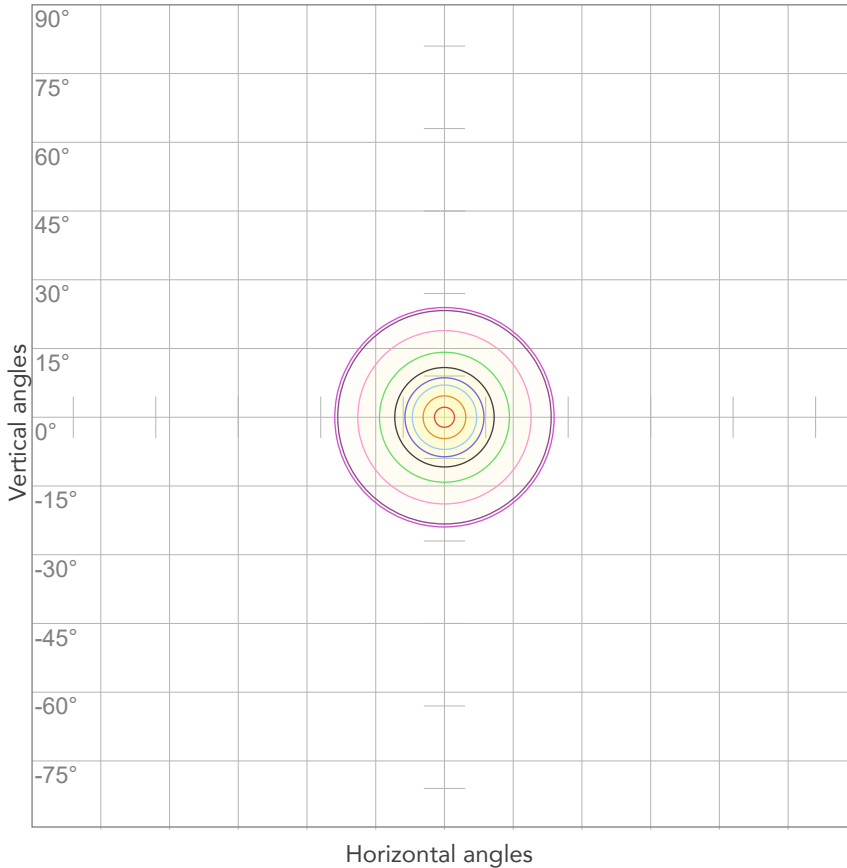


ELECTRICAL SPECIFICATIONS

| | | | |
|---------------|---------------|-------------|------------|
| Input voltage | Input current | Input power | Effeciency |
| 225V | 0,211A | 38,8W | 11lm/W |

| |
|----------|
| Power FC |
| 0,81 |

ISO CANDELA DIAGRAM



| | |
|-----|---------|
| 10% | 165 cd |
| 20% | 330 cd |
| 30% | 496 cd |
| 40% | 661 cd |
| 50% | 826 cd |
| 60% | 991 cd |
| 70% | 1156 cd |
| 80% | 1322 cd |

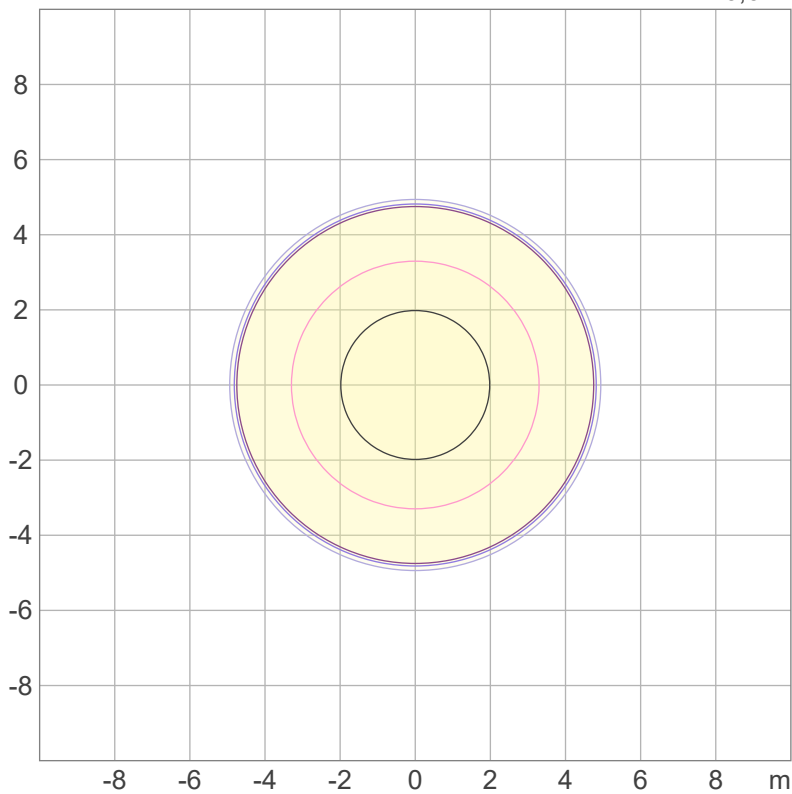
Conditions:

Number of c-planes: 2

Candela at center: 1652 cd

ISO LUX DIAGRAM

MH: 10,0 m



Mounting height: 10 meters (33 feet)

| | |
|-----|----------|
| 3% | 0,496 lx |
| 5% | 0,826 lx |
| 10% | 1,65 lx |
| 30% | 4,96 lx |
| 50% | 8,26 lx |

Conditions:

Number of c-planes: 2

Lux at center: 16,5 lx

Lux distribution on a surface when lamp is mounted at 10 meters from the surface.



Total lumen output:

298 lm

Peak candela output:

833 cd

PRODUCT NAME:

Mosaico FX100 FC

MEASUREMENT CONDITIONS:

Beam angle:

Optic 70° LWGVW

Target:

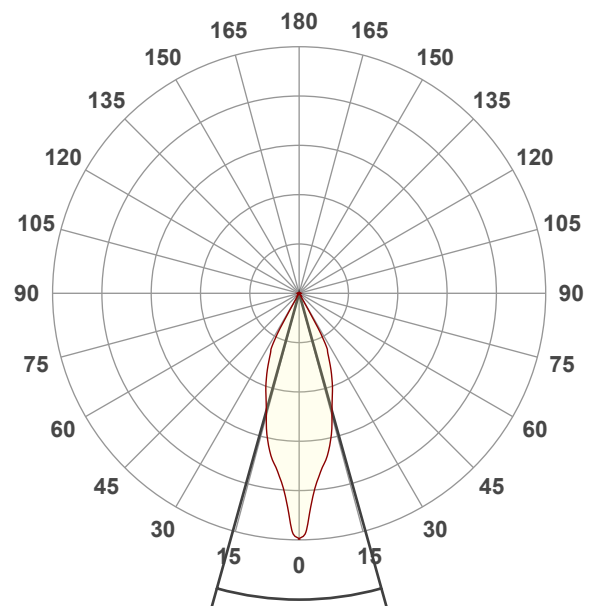
Green

Operator:

Salvatore Giglio

Date and time:

12/01/2023 13:01:34

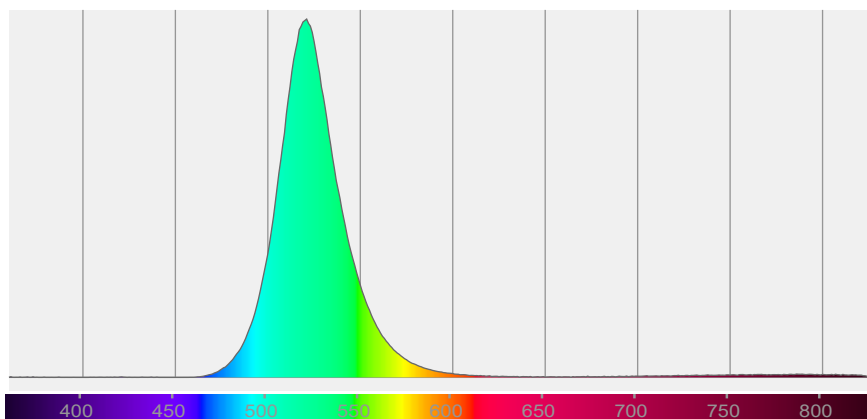


Beam angle 50%: 31,1°

Field angle 10%: 58,4°

Cut off angle 2.5%: 59,9°

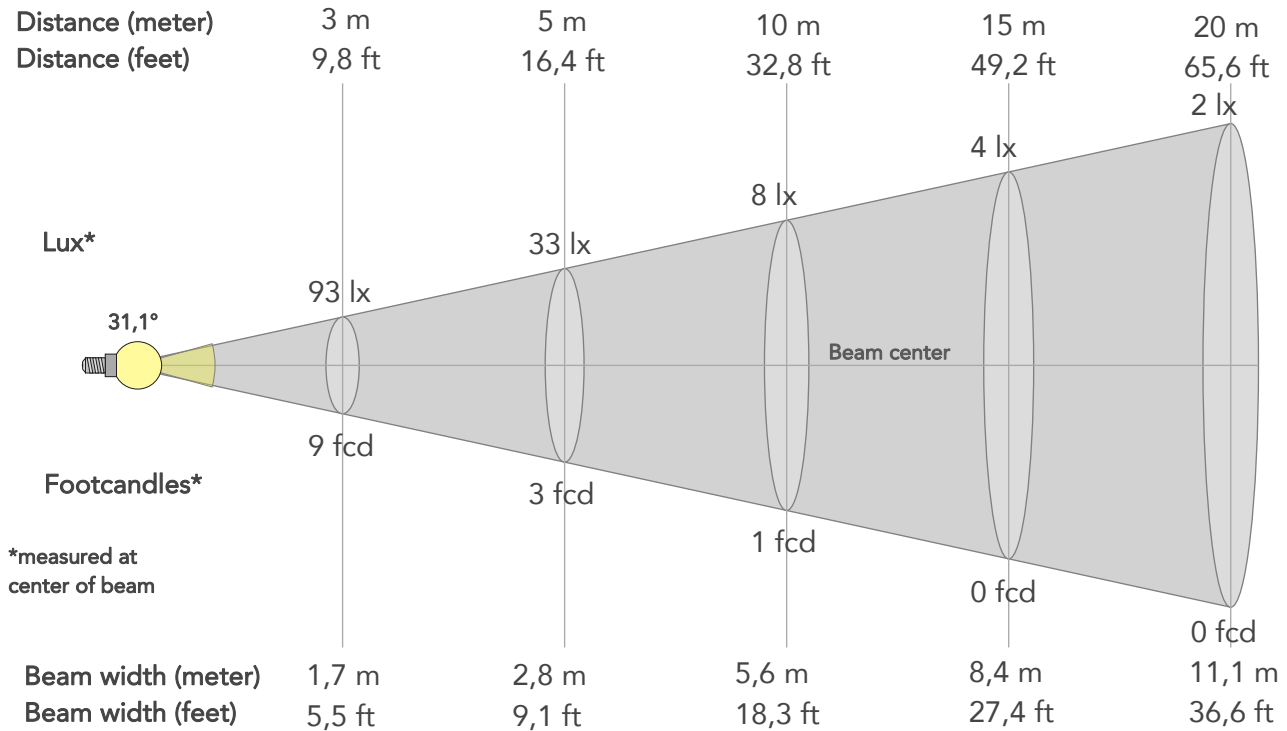
Spectra



BEAM DETAILS



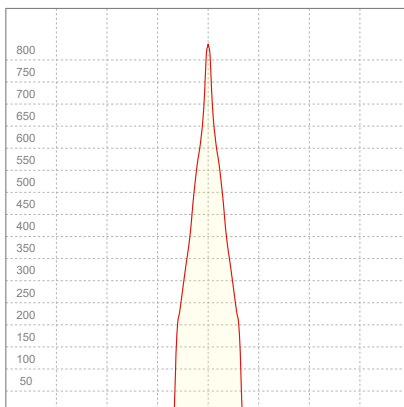
| | | | | |
|----------------|-----------------|--------------------|------------------------------|-----------------------------|
| Beam angle 50% | Field angle 10% | Cut off angle 2,5% | Intensity ratio in 120° cone | Intensity ratio in 90° cone |
| 31,1° | 58,4° | 59,9° | 94,7% | 94,1% |



BEAM INTENSITIES AND WIDTHS

| Distance | 1m | 2m | 3m | 4m | 5m | 7,5m | 10m | 15m | 20m | 25m | 30m | 40m | 50m |
|-----------|-------|-------|-------|--------|--------|--------|--------|--------|--------|--------|--------|---------|--------|
| Distance | 3,3ft | 6,6ft | 9,8ft | 13,1ft | 16,4ft | 24,6ft | 32,8ft | 49,2ft | 65,6ft | 82ft | 98,4ft | 131,2ft | 164ft |
| Lux | 833lx | 208lx | 93lx | 52lx | 33lx | 15lx | 8lx | 4lx | 2lx | 1lx | 1lx | 1lx | 0lx |
| Footcand. | 77fcd | 19fcd | 9fcd | 5fcd | 3fcd | 1fcd | 1fcd | 0fcd | 0fcd | 0fcd | 0fcd | 0fcd | 0fcd |
| Beam wid. | 0,6m | 1,1m | 1,7m | 2,2m | 2,8m | 4,2m | 5,6m | 8,4m | 11,1m | 13,9m | 16,7m | 22,3m | 27,9m |
| Beam wid. | 1,8ft | 3,7ft | 5,5ft | 7,3ft | 9,1ft | 13,7ft | 18,3ft | 27,4ft | 36,6ft | 45,7ft | 54,9ft | 73,1ft | 91,4ft |

LINEAR DISTRIBUTION DIAGRAM

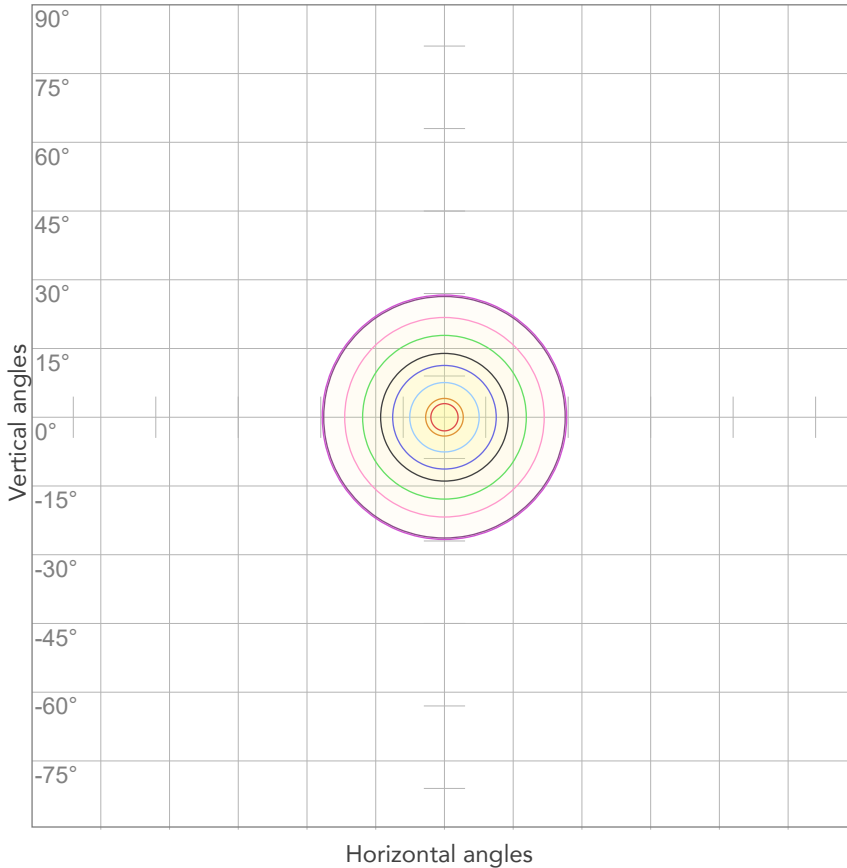


ELECTRICAL SPECIFICATIONS

| Input voltage | Input current | Input power | Effeciency |
|---------------|---------------|-------------|------------|
| 227V | 0,209A | 38,4W | 8lm/W |

| Power FC |
|----------|
| 0,81 |

ISO CANDELA DIAGRAM



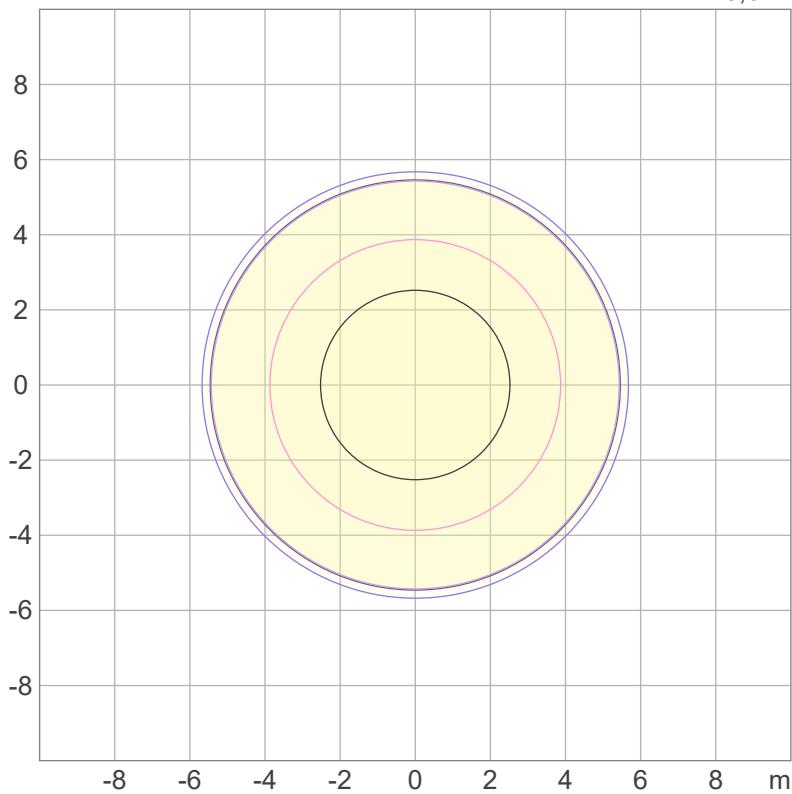
| | |
|-----|--------|
| 10% | 83 cd |
| 20% | 167 cd |
| 30% | 250 cd |
| 40% | 333 cd |
| 50% | 417 cd |
| 60% | 500 cd |
| 70% | 583 cd |
| 80% | 667 cd |

Conditions:

Number of c-planes: 2
Candela at center: 833 cd

ISO LUX DIAGRAM

MH: 10,0 m



Mounting height: 10 meters (33 feet)

| | |
|-----|----------|
| 3% | 0,250 lx |
| 5% | 0,417 lx |
| 10% | 0,833 lx |
| 30% | 2,50 lx |
| 50% | 4,17 lx |

Conditions:

Number of c-planes: 2
Lux at center: 8,33 lx

Lux distribution on a surface when lamp is mounted at 10 meters from the surface.



Total lumen output:

435 lm

Peak candela output:

1393 cd

PRODUCT NAME:

Mosaico FX100 FC

MEASUREMENT CONDITIONS:

Beam angle:

Optic 30° LGBM

Target:

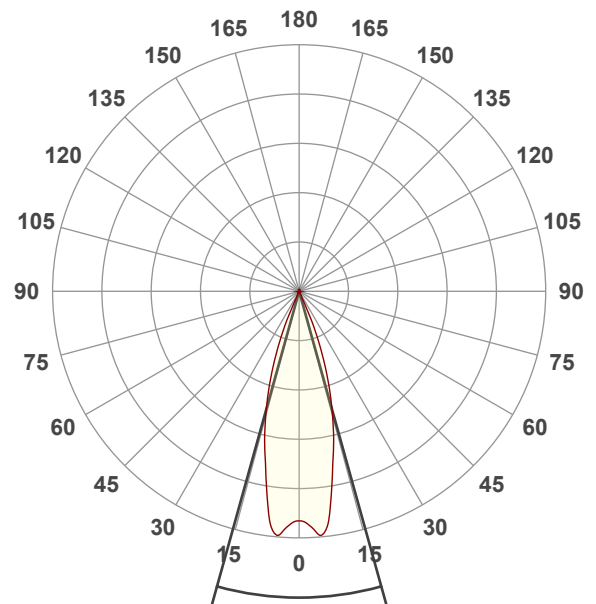
Green

Operator:

Salvatore Giglio

Date and time:

11/01/2023 17:35:43

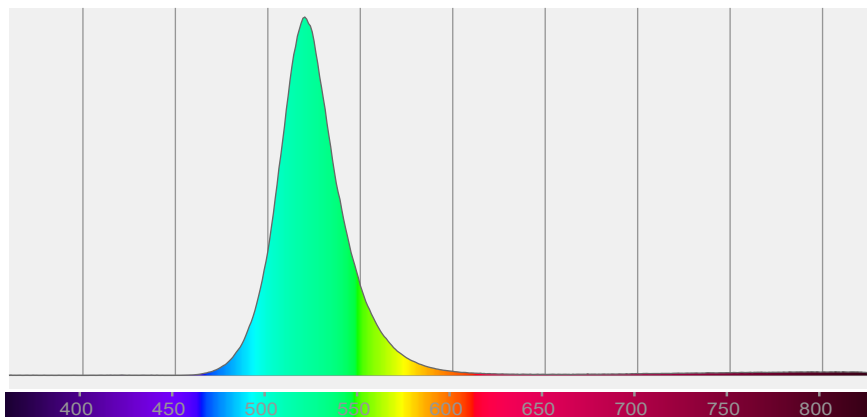


Beam angle 50%: 31,1°

Field angle 10%: 46,9°

Cut off angle 2.5%: 49,4°

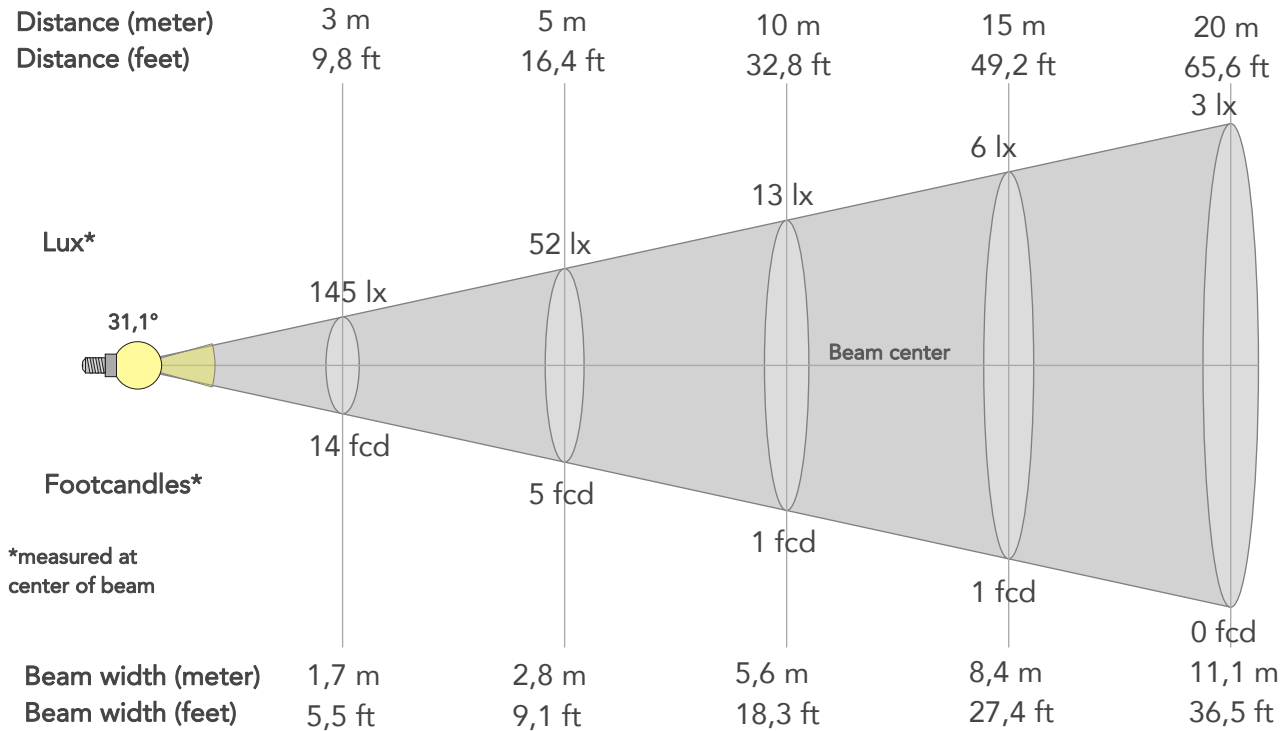
Spectra



BEAM DETAILS



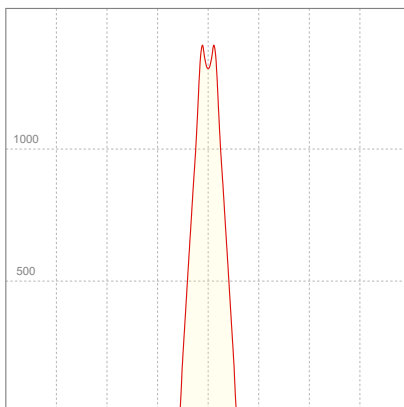
| | | | | |
|----------------|-----------------|--------------------|------------------------------|-----------------------------|
| Beam angle 50% | Field angle 10% | Cut off angle 2,5% | Intensity ratio in 120° cone | Intensity ratio in 90° cone |
| 31,1° | 46,9° | 49,4° | 83,9% | 83,3% |



BEAM INTENSITIES AND WIDTHS

| Distance | 1m | 2m | 3m | 4m | 5m | 7,5m | 10m | 15m | 20m | 25m | 30m | 40m | 50m |
|-----------|--------|-------|-------|--------|--------|--------|--------|--------|--------|--------|--------|---------|--------|
| Distance | 3,3ft | 6,6ft | 9,8ft | 13,1ft | 16,4ft | 24,6ft | 32,8ft | 49,2ft | 65,6ft | 82ft | 98,4ft | 131,2ft | 164ft |
| Lux | 1309lx | 327lx | 145lx | 82lx | 52lx | 23lx | 13lx | 6lx | 3lx | 2lx | 1lx | 1lx | 1lx |
| Footcand. | 122fcd | 30fcd | 14fcd | 8fcd | 5fcd | 2fcd | 1fcd | 1fcd | 0fcd | 0fcd | 0fcd | 0fcd | 0fcd |
| Beam wid. | 0,6m | 1,1m | 1,7m | 2,2m | 2,8m | 4,2m | 5,6m | 8,4m | 11,1m | 13,9m | 16,7m | 22,3m | 27,8m |
| Beam wid. | 1,8ft | 3,7ft | 5,5ft | 7,3ft | 9,1ft | 13,7ft | 18,3ft | 27,4ft | 36,5ft | 45,7ft | 54,8ft | 73ft | 91,3ft |

LINEAR DISTRIBUTION DIAGRAM

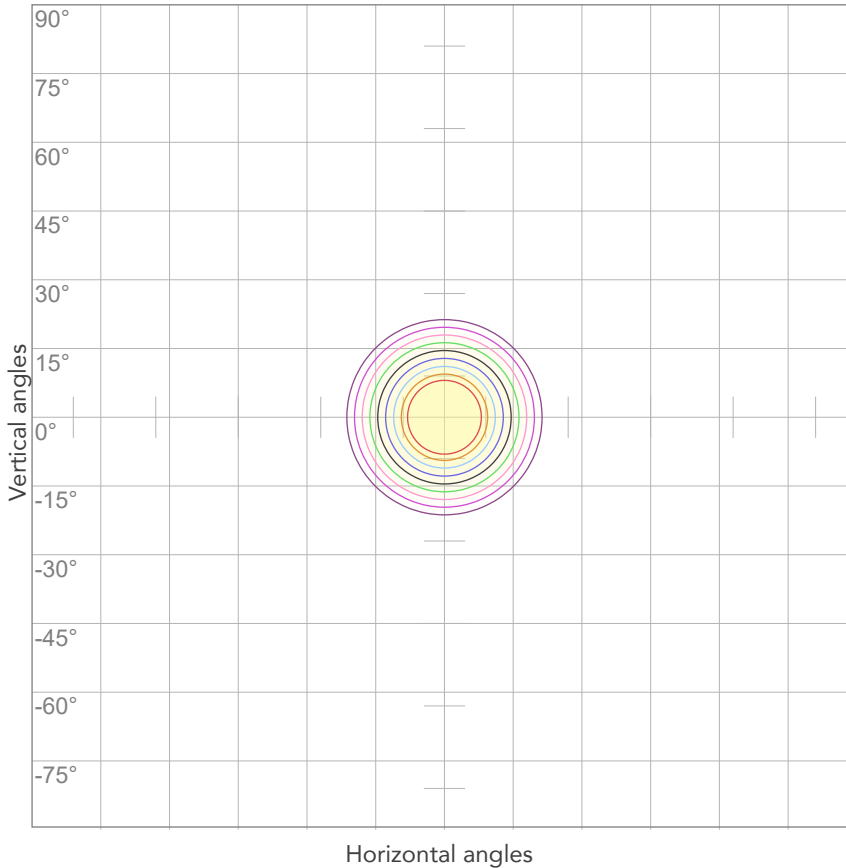


ELECTRICAL SPECIFICATIONS

| Input voltage | Input current | Input power | Effeciency |
|---------------|---------------|-------------|------------|
| 225V | 0,211A | 38,6W | 11lm/W |

| Power FC |
|----------|
| 0,81 |

ISO CANDELA DIAGRAM



| | |
|-----|---------|
| 10% | 131 cd |
| 20% | 262 cd |
| 30% | 393 cd |
| 40% | 524 cd |
| 50% | 655 cd |
| 60% | 785 cd |
| 70% | 916 cd |
| 80% | 1047 cd |

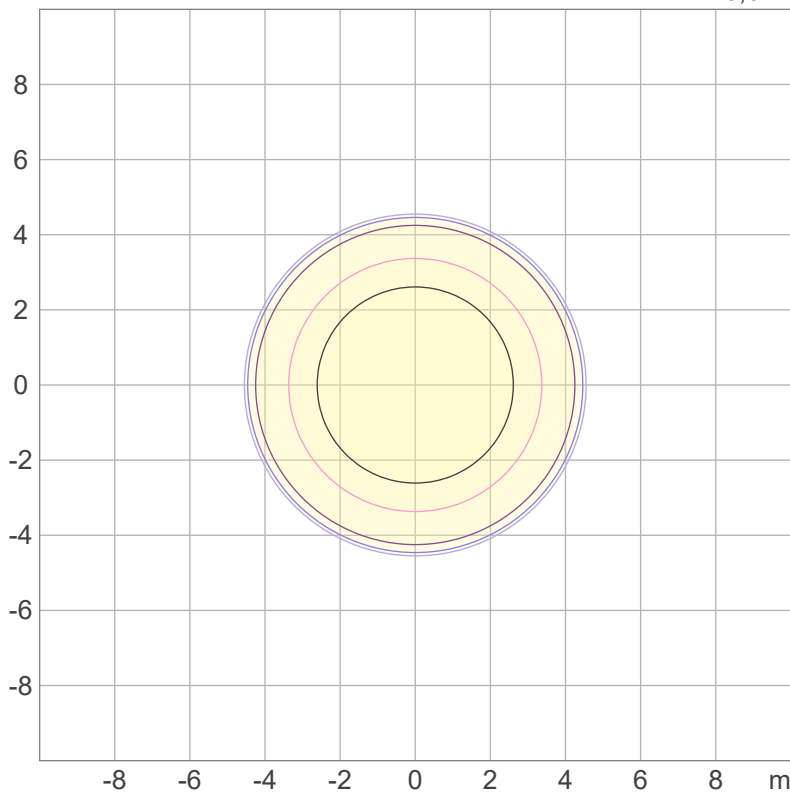
Conditions:

Number of c-planes: 2

Candela at center: 1309 cd

ISO LUX DIAGRAM

MH: 10,0 m



Mounting height: 10 meters (33 feet)

| | |
|-----|----------|
| 3% | 0,393 lx |
| 5% | 0,655 lx |
| 10% | 1,31 lx |
| 30% | 3,93 lx |
| 50% | 6,55 lx |

Conditions:

Number of c-planes: 2

Lux at center: 13,1 lx

Lux distribution on a surface when lamp is mounted at 10 meters from the surface.



Total lumen output:

300 lm

Peak candela output:

642 cd

PRODUCT NAME:

Mosaico FX100 FC

MEASUREMENT CONDITIONS:

Beam angle:

Optic 50° LGBW

Target:

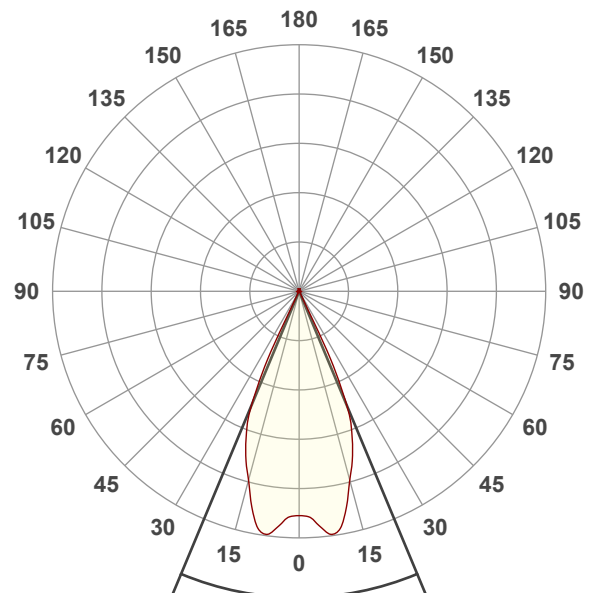
Green

Operator:

Salvatore Giglio

Date and time:

12/01/2023 11:44:04

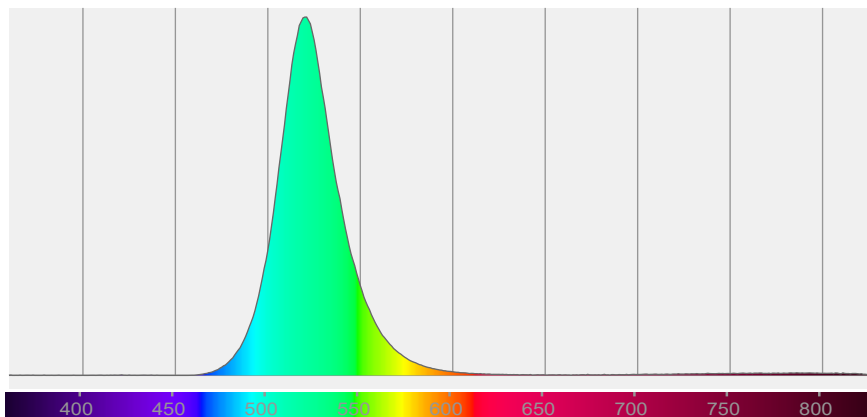


Beam angle 50%: 45,3°

Field angle 10%: 53,3°

Cut off angle 2.5%: 54,6°

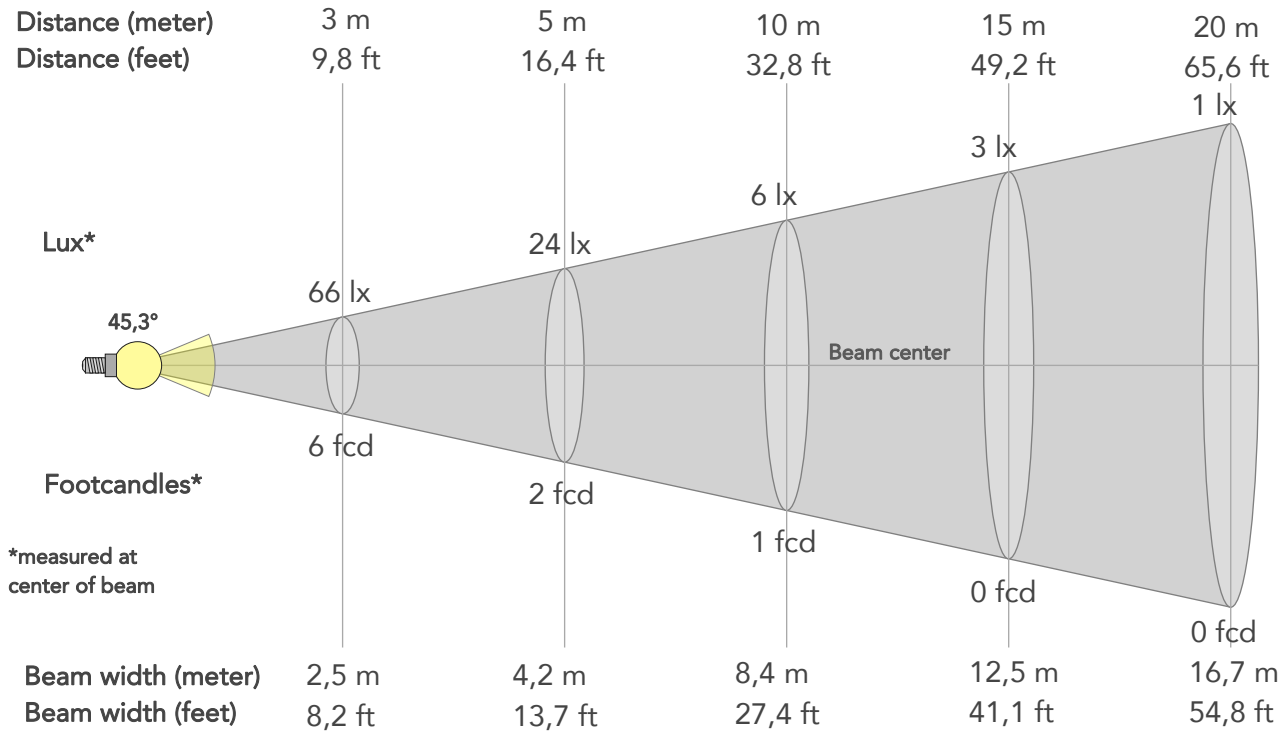
Spectra



BEAM DETAILS



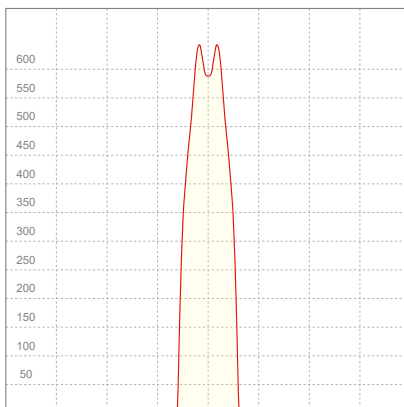
| | | | | |
|----------------|-----------------|--------------------|------------------------------|-----------------------------|
| Beam angle 50% | Field angle 10% | Cut off angle 2,5% | Intensity ratio in 120° cone | Intensity ratio in 90° cone |
| 45,3° | 53,3° | 54,6° | 93,6% | 93,1% |



BEAM INTENSITIES AND WIDTHS

| | | | | | | | | | | | | | |
|-----------|-------|-------|-------|--------|--------|--------|--------|--------|--------|--------|--------|---------|-------|
| Distance | 1m | 2m | 3m | 4m | 5m | 7,5m | 10m | 15m | 20m | 25m | 30m | 40m | 50m |
| Distance | 3,3ft | 6,6ft | 9,8ft | 13,1ft | 16,4ft | 24,6ft | 32,8ft | 49,2ft | 65,6ft | 82ft | 98,4ft | 131,2ft | 164ft |
| Lux | 591lx | 148lx | 66lx | 37lx | 24lx | 11lx | 6lx | 3lx | 1lx | 1lx | 1lx | 0lx | 0lx |
| Footcand. | 55fcd | 14fcd | 6fcd | 3fcd | 2fcd | 1fcd | 1fcd | 0fcd | 0fcd | 0fcd | 0fcd | 0fcd | 0fcd |
| Beam wid. | 0,8m | 1,7m | 2,5m | 3,3m | 4,2m | 6,3m | 8,4m | 12,5m | 16,7m | 20,9m | 25,1m | 33,4m | 41,8m |
| Beam wid. | 2,8ft | 5,5ft | 8,2ft | 10,9ft | 13,7ft | 20,6ft | 27,4ft | 41,1ft | 54,8ft | 68,5ft | 82,2ft | 109,6ft | 137ft |

LINEAR DISTRIBUTION DIAGRAM

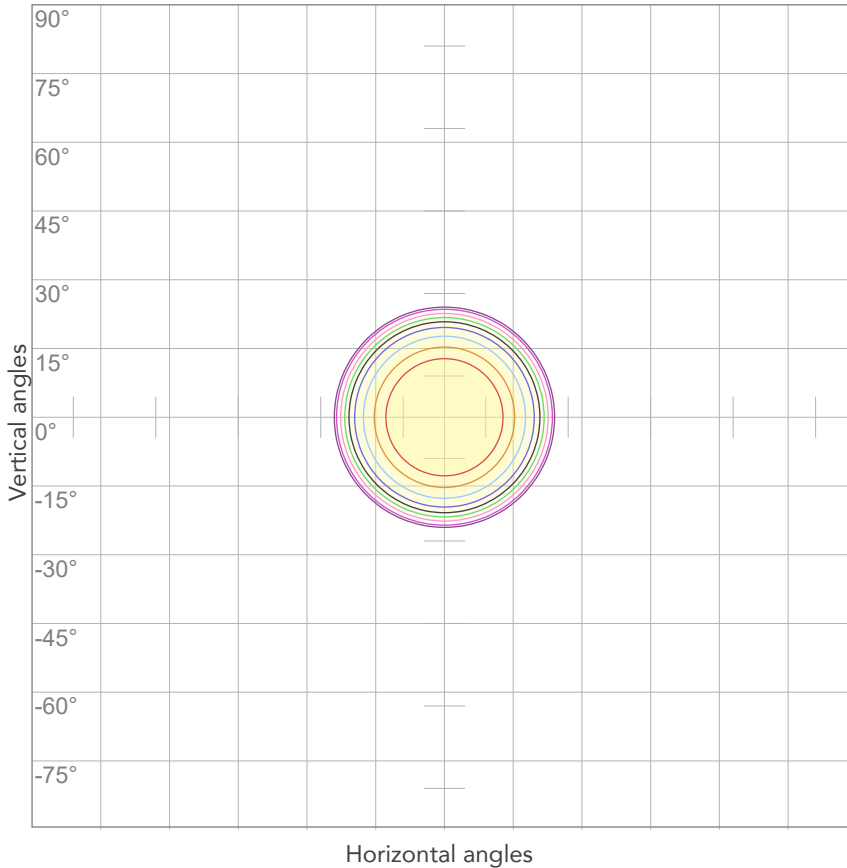


ELECTRICAL SPECIFICATIONS

| | | | |
|---------------|---------------|-------------|------------|
| Input voltage | Input current | Input power | Effeciency |
| 226V | 0,211A | 38,6W | 8lm/W |

| |
|----------|
| Power FC |
| 0,81 |

ISO CANDELA DIAGRAM



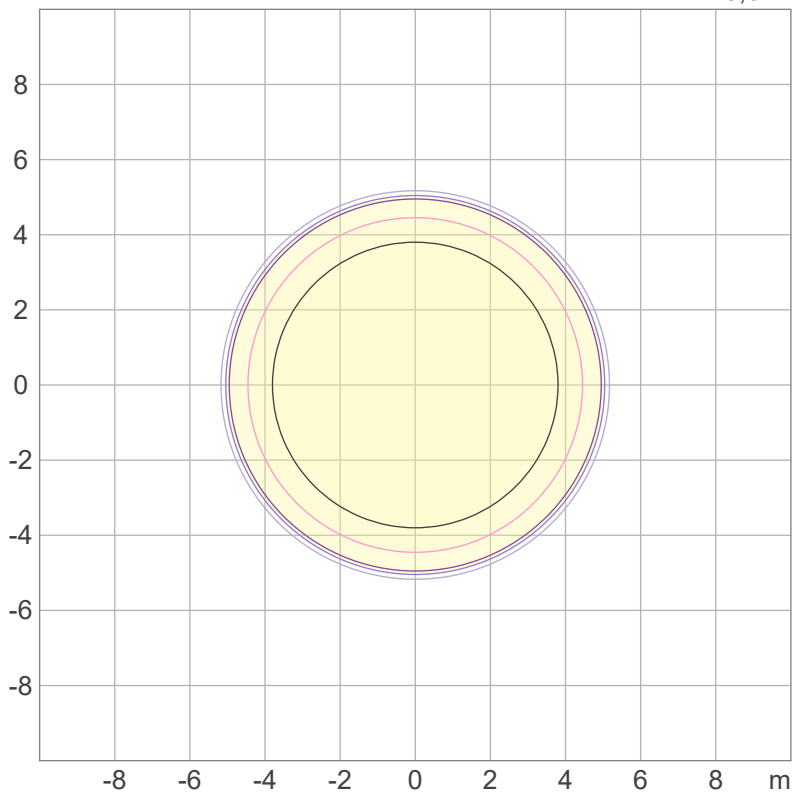
| | |
|-----|--------|
| 10% | 59 cd |
| 20% | 118 cd |
| 30% | 177 cd |
| 40% | 236 cd |
| 50% | 295 cd |
| 60% | 355 cd |
| 70% | 414 cd |
| 80% | 473 cd |

Conditions:

Number of c-planes: 2
Candela at center: 591 cd

ISO LUX DIAGRAM

MH: 10,0 m



Mounting height: 10 meters (33 feet)

| | |
|-----|----------|
| 3% | 0,177 lx |
| 5% | 0,295 lx |
| 10% | 0,591 lx |
| 30% | 1,77 lx |
| 50% | 2,95 lx |

Conditions:

Number of c-planes: 2
Lux at center: 5,91 lx

Lux distribution on a surface when lamp is mounted at 10 meters from the surface.



Total lumen output:

68,7 lm

Peak candela output:

892 cd

PRODUCT NAME:

Mosaico FX100 FC

MEASUREMENT CONDITIONS:

Beam angle:

Optic 15° LWGN

Target:

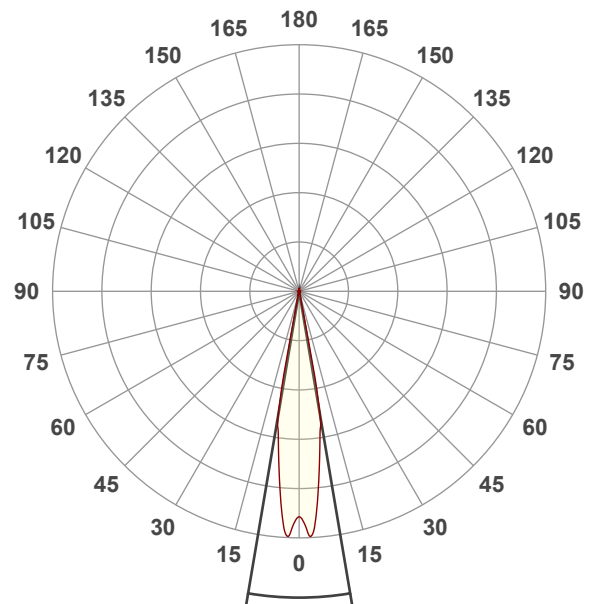
Blue

Operator:

Salvatore Giglio

Date and time:

11/01/2023 15:35:59

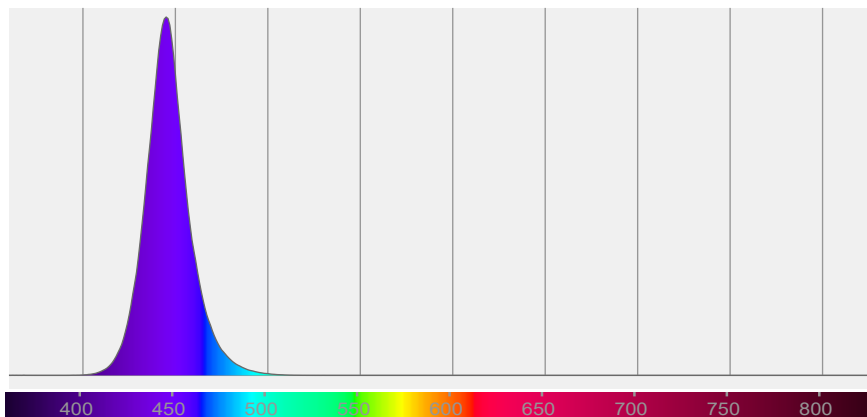


Beam angle 50%: 19,2°

Field angle 10%: 22,4°

Cut off angle 2.5%: 23,2°

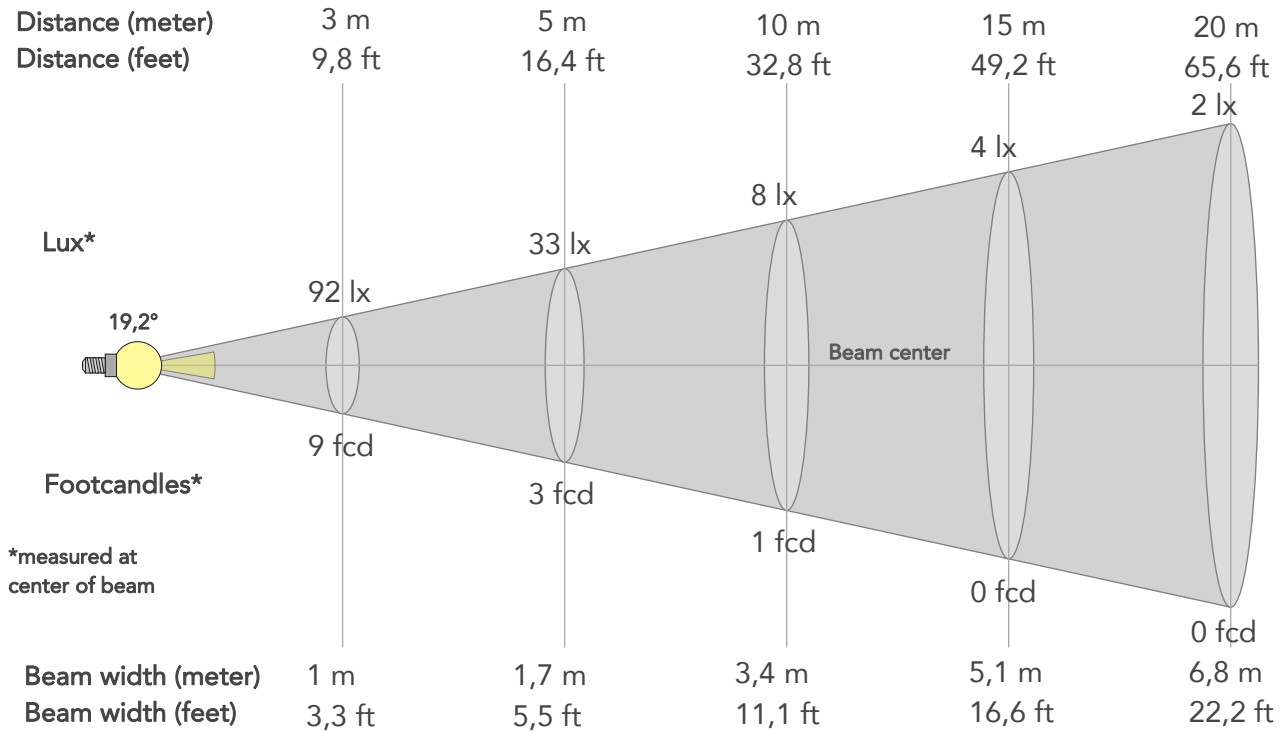
Spectra



BEAM DETAILS



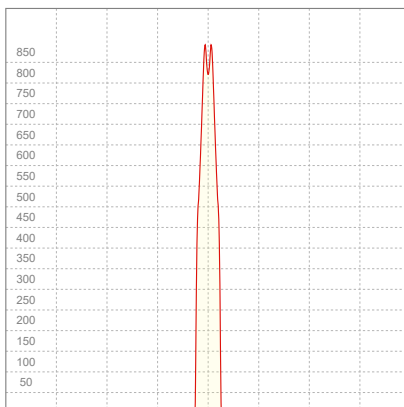
| | | | | |
|----------------|-----------------|--------------------|------------------------------|-----------------------------|
| Beam angle 50% | Field angle 10% | Cut off angle 2,5% | Intensity ratio in 120° cone | Intensity ratio in 90° cone |
| 19,2° | 22,4° | 23,2° | 97,8% | 97,8% |



BEAM INTENSITIES AND WIDTHS

| | | | | | | | | | | | | | |
|-----------|-------|-------|-------|--------|--------|--------|--------|--------|--------|--------|--------|---------|--------|
| Distance | 1m | 2m | 3m | 4m | 5m | 7,5m | 10m | 15m | 20m | 25m | 30m | 40m | 50m |
| Distance | 3,3ft | 6,6ft | 9,8ft | 13,1ft | 16,4ft | 24,6ft | 32,8ft | 49,2ft | 65,6ft | 82ft | 98,4ft | 131,2ft | 164ft |
| Lux | 824lx | 206lx | 92lx | 51lx | 33lx | 15lx | 8lx | 4lx | 2lx | 1lx | 1lx | 1lx | 0lx |
| Footcand. | 77fcd | 19fcd | 9fcd | 5fcd | 3fcd | 1fcd | 1fcd | 0fcd | 0fcd | 0fcd | 0fcd | 0fcd | 0fcd |
| Beam wid. | 0,3m | 0,7m | 1m | 1,4m | 1,7m | 2,5m | 3,4m | 5,1m | 6,8m | 8,4m | 10,1m | 13,5m | 16,9m |
| Beam wid. | 1,1ft | 2,2ft | 3,3ft | 4,4ft | 5,5ft | 8,3ft | 11,1ft | 16,6ft | 22,2ft | 27,7ft | 33,2ft | 44,3ft | 55,4ft |

LINEAR DISTRIBUTION DIAGRAM

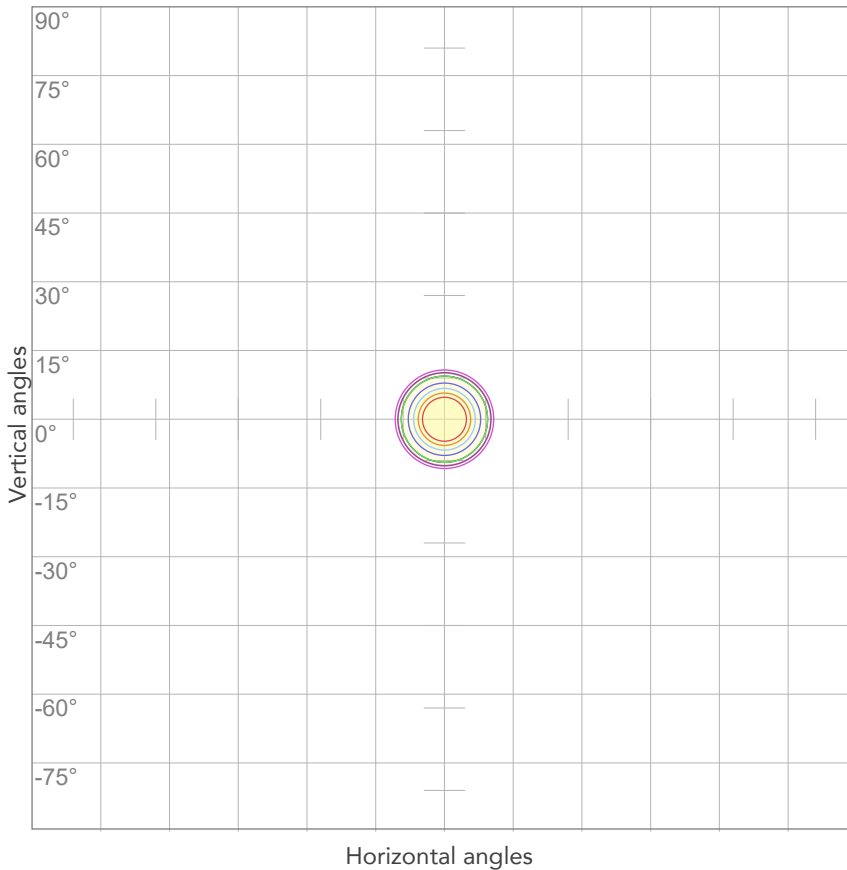


ELECTRICAL SPECIFICATIONS

| | | | |
|---------------|---------------|-------------|------------|
| Input voltage | Input current | Input power | Effeciency |
| 226V | 0,211A | 38,6W | 2lm/W |

| |
|----------|
| Power FC |
| 0,81 |

ISO CANDELA DIAGRAM



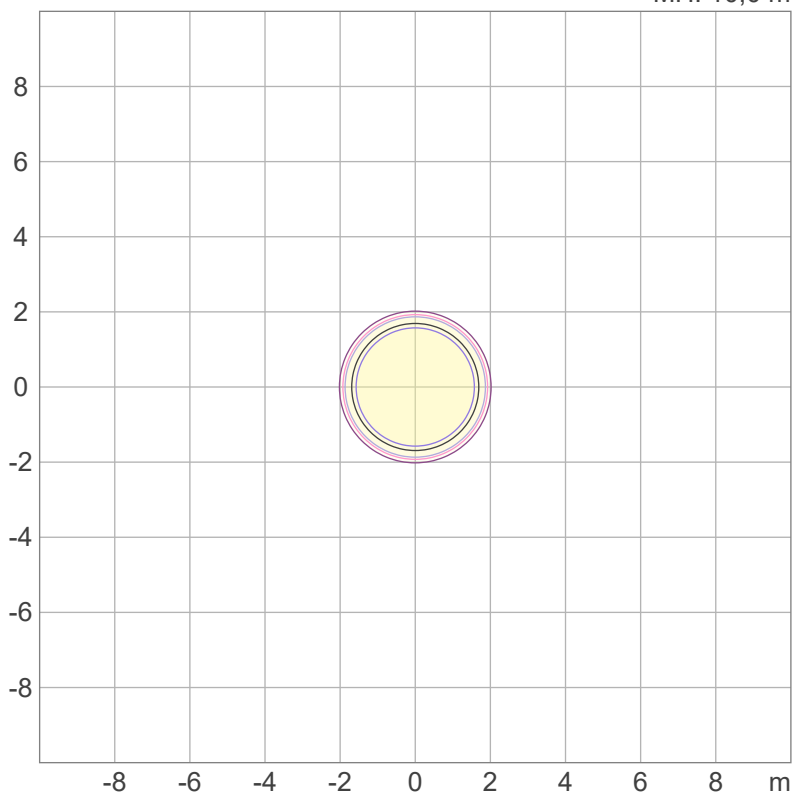
| | |
|-----|--------|
| 10% | 82 cd |
| 20% | 165 cd |
| 30% | 247 cd |
| 40% | 329 cd |
| 50% | 412 cd |
| 60% | 494 cd |
| 70% | 577 cd |
| 80% | 659 cd |

Conditions:

Number of c-planes: 2
Candela at center: 824 cd

ISO LUX DIAGRAM

MH: 10,0 m



| | |
|-----|----------|
| 3% | 0,247 lx |
| 5% | 0,412 lx |
| 10% | 0,824 lx |
| 30% | 2,47 lx |
| 50% | 4,12 lx |

Conditions:

Number of c-planes: 2
Lux at center: 8,24 lx

Lux distribution on a surface when lamp is mounted at 10 meters from the surface.



Total lumen output:

71,1 lm

Peak candela output:

551 cd

PRODUCT NAME:

Mosaico FX100 FC

MEASUREMENT CONDITIONS:

Beam angle:

Optic 30° LWTM

Target:

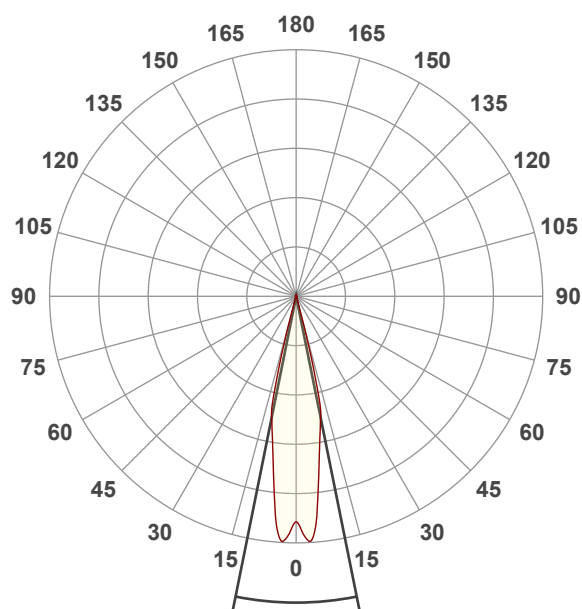
Blue

Operator:

Salvatore Giglio

Date and time:

11/01/2023 16:37:30

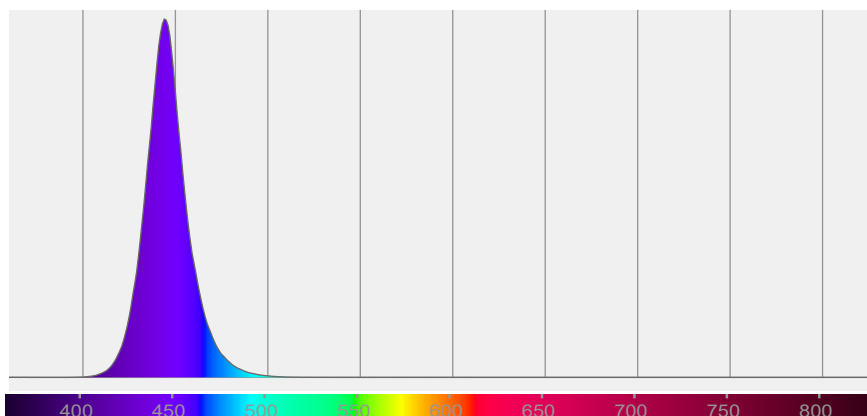


Beam angle 50%: 22,8°

Field angle 10%: 30,3°

Cut off angle 2.5%: 32,8°

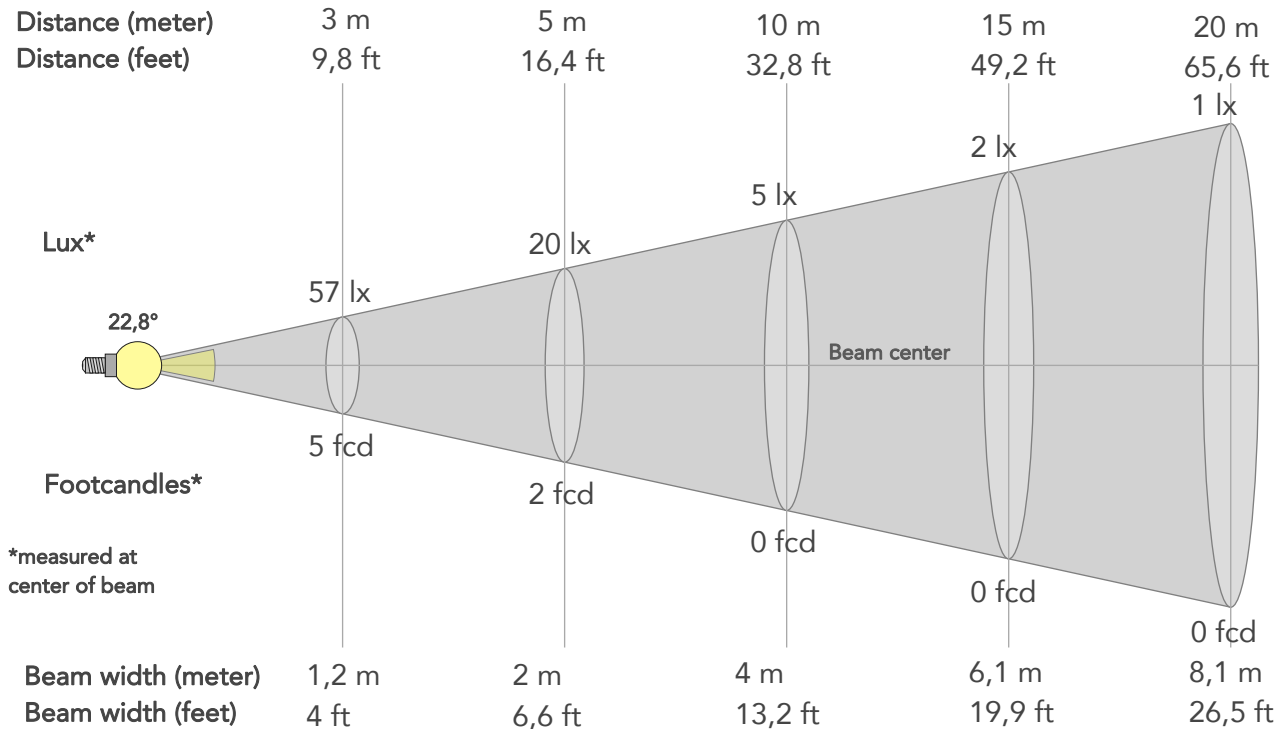
Spectra



BEAM DETAILS



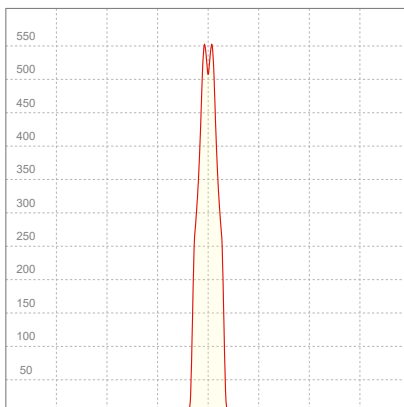
| | | | | |
|----------------|-----------------|--------------------|------------------------------|-----------------------------|
| Beam angle 50% | Field angle 10% | Cut off angle 2,5% | Intensity ratio in 120° cone | Intensity ratio in 90° cone |
| 22,8° | 30,3° | 32,8° | 94,0% | 94,0% |



BEAM INTENSITIES AND WIDTHS

| Distance | 1m | 2m | 3m | 4m | 5m | 7,5m | 10m | 15m | 20m | 25m | 30m | 40m | 50m |
|-----------|-------|-------|-------|--------|--------|--------|--------|--------|--------|--------|--------|---------|--------|
| Distance | 3,3ft | 6,6ft | 9,8ft | 13,1ft | 16,4ft | 24,6ft | 32,8ft | 49,2ft | 65,6ft | 82ft | 98,4ft | 131,2ft | 164ft |
| Lux | 511lx | 128lx | 57lx | 32lx | 20lx | 9lx | 5lx | 2lx | 1lx | 1lx | 1lx | 0lx | 0lx |
| Footcand. | 47fcd | 12fcd | 5fcd | 3fcd | 2fcd | 1fcd | 0fcd | 0fcd | 0fcd | 0fcd | 0fcd | 0fcd | 0fcd |
| Beam wid. | 0,4m | 0,8m | 1,2m | 1,6m | 2m | 3m | 4m | 6,1m | 8,1m | 10,1m | 12,1m | 16,1m | 20,2m |
| Beam wid. | 1,3ft | 2,7ft | 4ft | 5,3ft | 6,6ft | 9,9ft | 13,2ft | 19,9ft | 26,5ft | 33,1ft | 39,7ft | 52,9ft | 66,2ft |

LINEAR DISTRIBUTION DIAGRAM

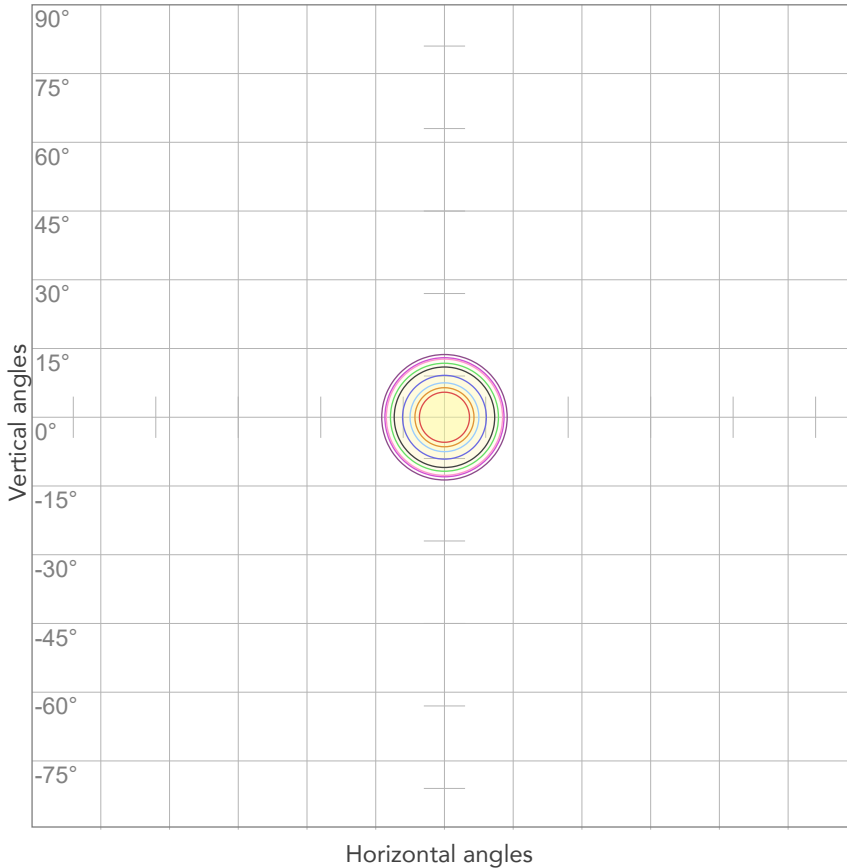


ELECTRICAL SPECIFICATIONS

| Input voltage | Input current | Input power | Effeciency |
|---------------|---------------|-------------|------------|
| 224V | 0,212A | 38,8W | 2lm/W |

| Power FC |
|----------|
| 0,82 |

ISO CANDELA DIAGRAM



| | |
|-----|--------|
| 10% | 51 cd |
| 20% | 102 cd |
| 30% | 153 cd |
| 40% | 204 cd |
| 50% | 255 cd |
| 60% | 306 cd |
| 70% | 357 cd |
| 80% | 409 cd |

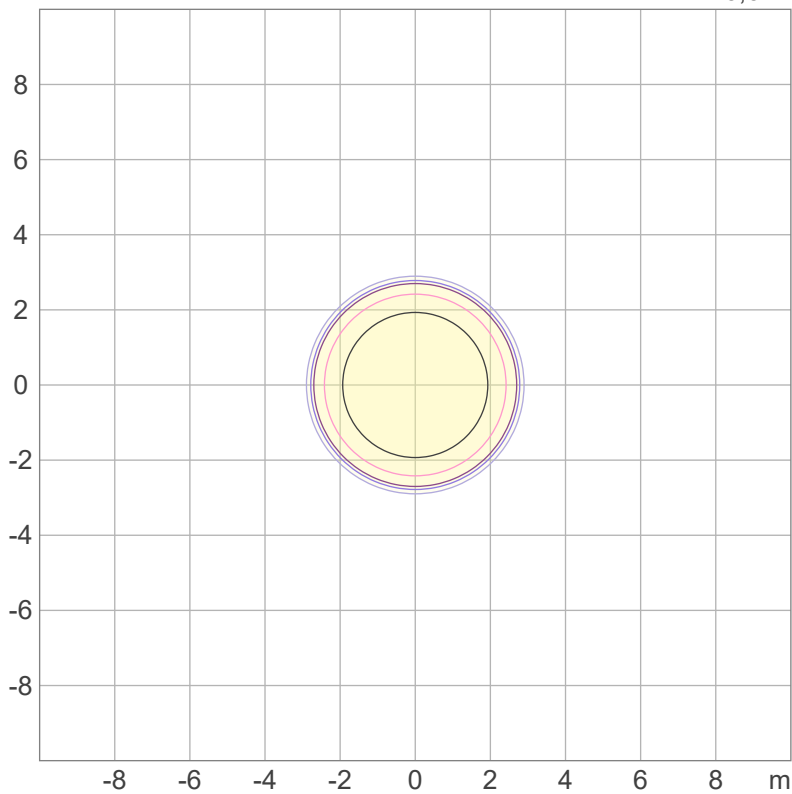
Conditions:

Number of c-planes: 2

Candela at center: 511 cd

ISO LUX DIAGRAM

MH: 10,0 m



| | |
|-----|----------|
| 3% | 0,153 lx |
| 5% | 0,255 lx |
| 10% | 0,511 lx |
| 30% | 1,53 lx |
| 50% | 2,55 lx |

Conditions:

Number of c-planes: 2

Lux at center: 5,11 lx

Lux distribution on a surface when lamp is mounted at 10 meters from the surface.



Total lumen output:

73,2 lm

Peak candela output:

275 cd

PRODUCT NAME:

Mosaico FX100 FC

MEASUREMENT CONDITIONS:

Beam angle:

Optic 50° LWTW

Target:

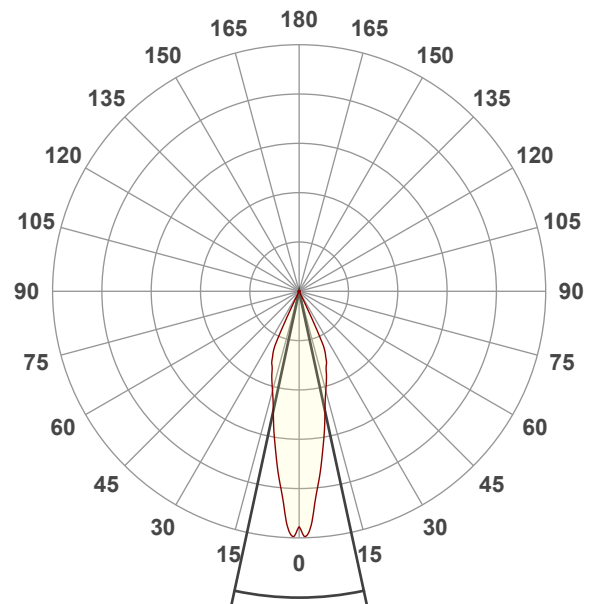
Blue

Operator:

Salvatore Giglio

Date and time:

12/01/2023 10:52:37

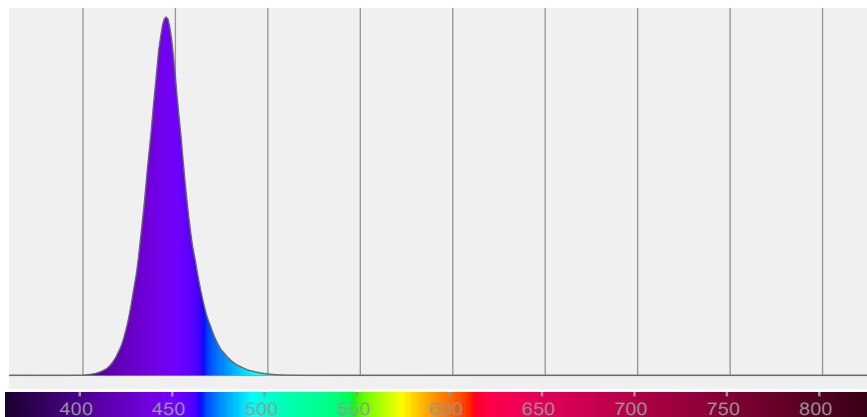


Beam angle 50%: 24,4°

Field angle 10%: 50,6°

Cut off angle 2.5%: 52,1°

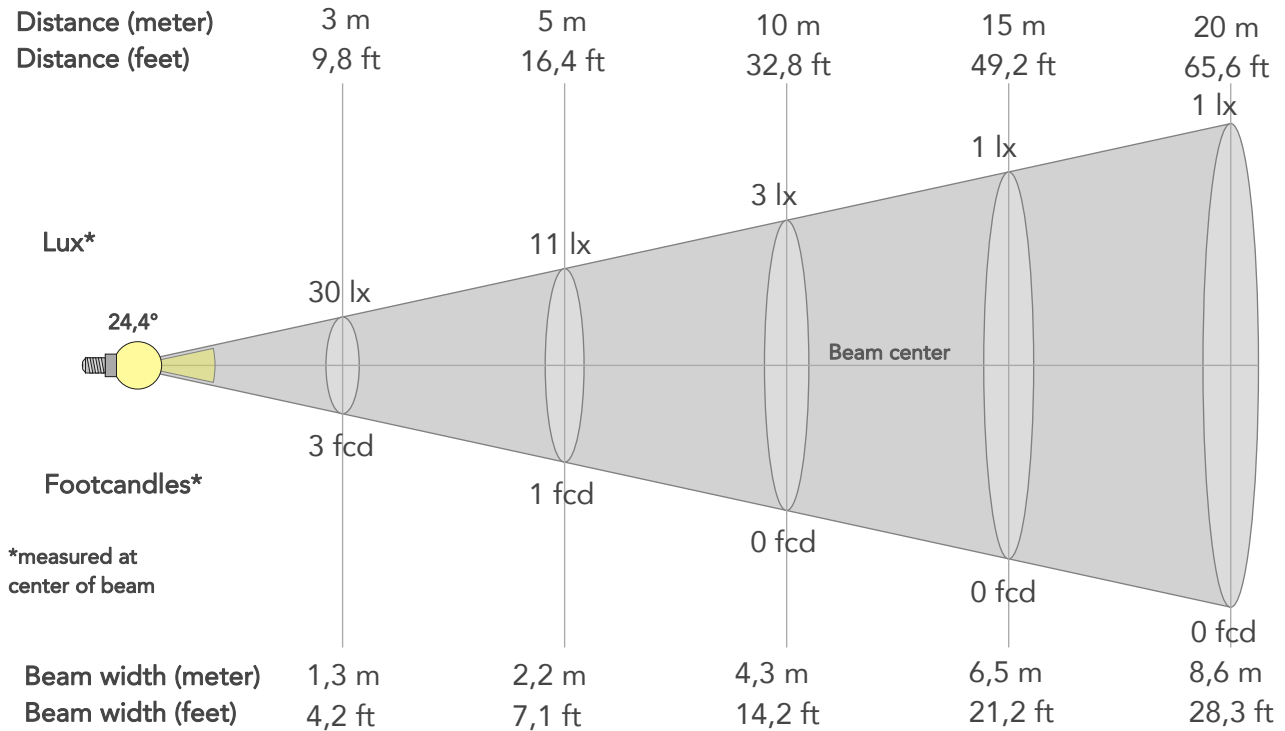
Spectra



BEAM DETAILS



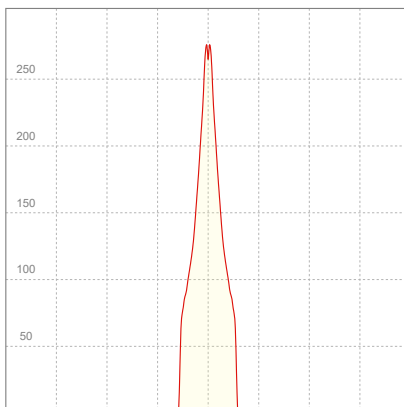
| | | | | |
|----------------|-----------------|--------------------|------------------------------|-----------------------------|
| Beam angle 50% | Field angle 10% | Cut off angle 2,5% | Intensity ratio in 120° cone | Intensity ratio in 90° cone |
| 24,4° | 50,6° | 52,1° | 94,5% | 94,2% |



BEAM INTENSITIES AND WIDTHS

| Distance | 1m | 2m | 3m | 4m | 5m | 7,5m | 10m | 15m | 20m | 25m | 30m | 40m | 50m |
|-----------|-------|-------|-------|--------|--------|--------|--------|--------|--------|--------|--------|---------|--------|
| Distance | 3,3ft | 6,6ft | 9,8ft | 13,1ft | 16,4ft | 24,6ft | 32,8ft | 49,2ft | 65,6ft | 82ft | 98,4ft | 131,2ft | 164ft |
| Lux | 266lx | 66lx | 30lx | 17lx | 11lx | 5lx | 3lx | 1lx | 1lx | 0lx | 0lx | 0lx | 0lx |
| Footcand. | 25fcd | 6fcd | 3fcd | 2fcd | 1fcd | 0fcd | 0fcd | 0fcd | 0fcd | 0fcd | 0fcd | 0fcd | 0fcd |
| Beam wid. | 0,4m | 0,9m | 1,3m | 1,7m | 2,2m | 3,2m | 4,3m | 6,5m | 8,6m | 10,8m | 13m | 17,3m | 21,6m |
| Beam wid. | 1,4ft | 2,9ft | 4,2ft | 5,7ft | 7,1ft | 10,6ft | 14,2ft | 21,2ft | 28,3ft | 35,4ft | 42,5ft | 56,7ft | 70,8ft |

LINEAR DISTRIBUTION DIAGRAM

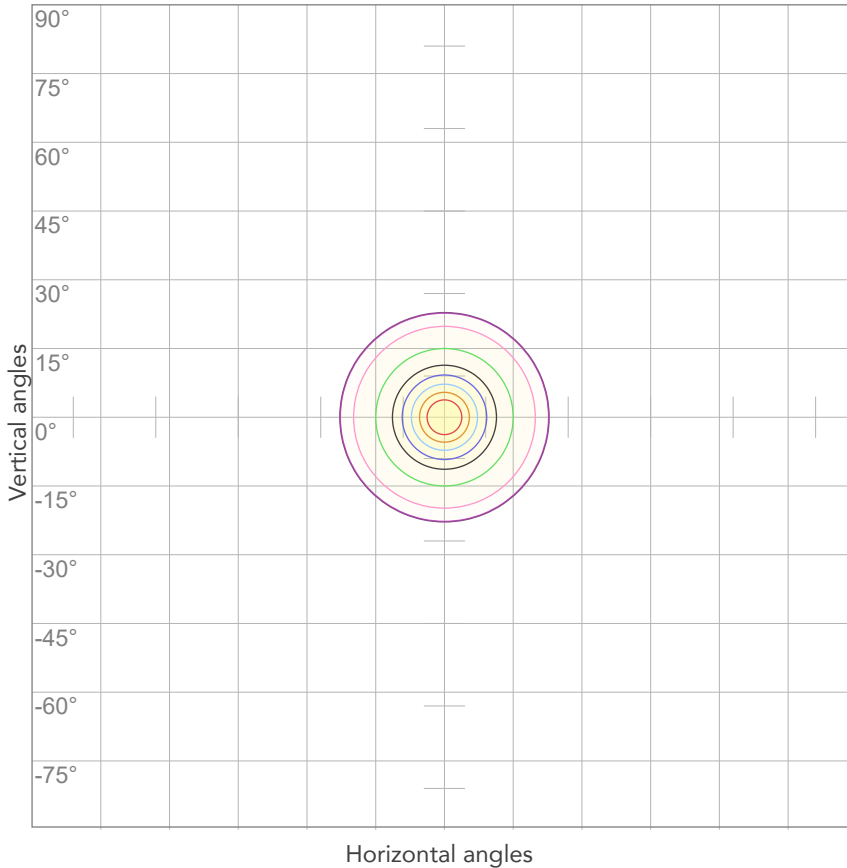


ELECTRICAL SPECIFICATIONS

| Input voltage | Input current | Input power | Effeciency |
|---------------|---------------|-------------|------------|
| 226V | 0,212A | 38,8W | 2lm/W |

| Power FC |
|----------|
| 0,81 |

ISO CANDELA DIAGRAM



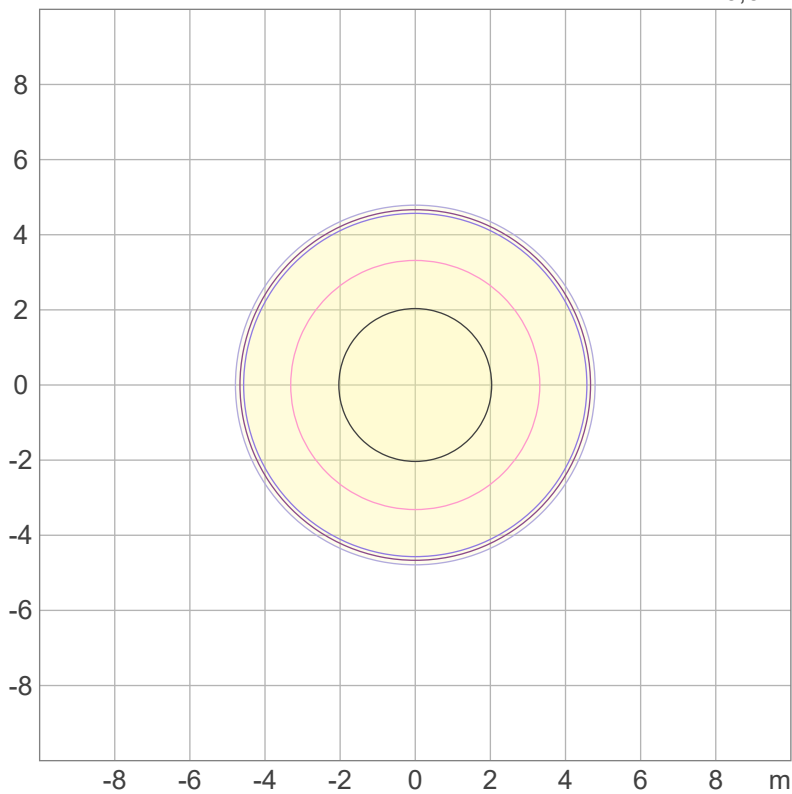
| | |
|-----|--------|
| 10% | 27 cd |
| 20% | 53 cd |
| 30% | 80 cd |
| 40% | 106 cd |
| 50% | 133 cd |
| 60% | 160 cd |
| 70% | 186 cd |
| 80% | 213 cd |

Conditions:

Number of c-planes: 2
Candela at center: 266 cd

ISO LUX DIAGRAM

MH: 10,0 m



Mounting height: 10 meters (33 feet)

| | |
|-----|----------|
| 3% | 79,8m lx |
| 5% | 0,133 lx |
| 10% | 0,266 lx |
| 30% | 0,798 lx |
| 50% | 1,33 lx |

Conditions:

Number of c-planes: 2
Lux at center: 2,66 lx

Lux distribution on a surface when lamp is mounted at 10 meters from the surface.



Total lumen output:

50,7 lm

Peak candela output:

130 cd

PRODUCT NAME:

Mosaico FX100 FC

MEASUREMENT CONDITIONS:

Beam angle:

Optic 70° LWGVW

Target:

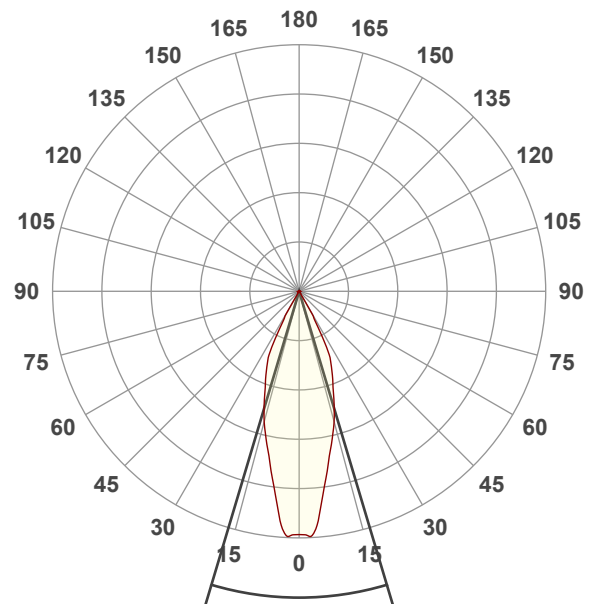
Blue

Operator:

Salvatore Giglio

Date and time:

12/01/2023 12:59:14

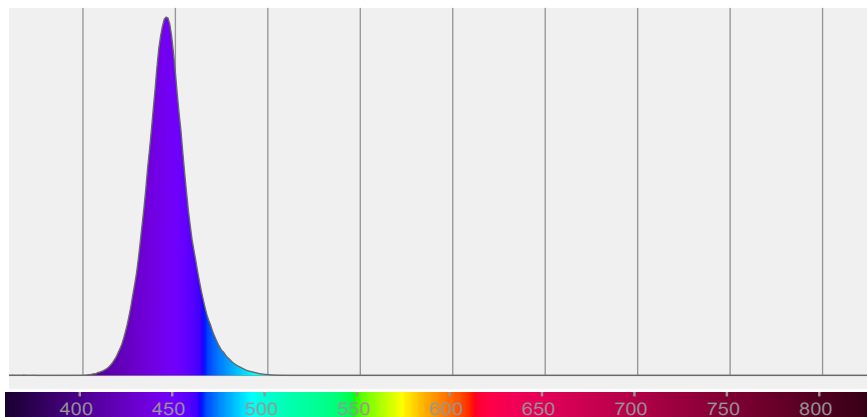


Beam angle 50%: 33,3°

Field angle 10%: 59,9°

Cut off angle 2.5%: 62,2°

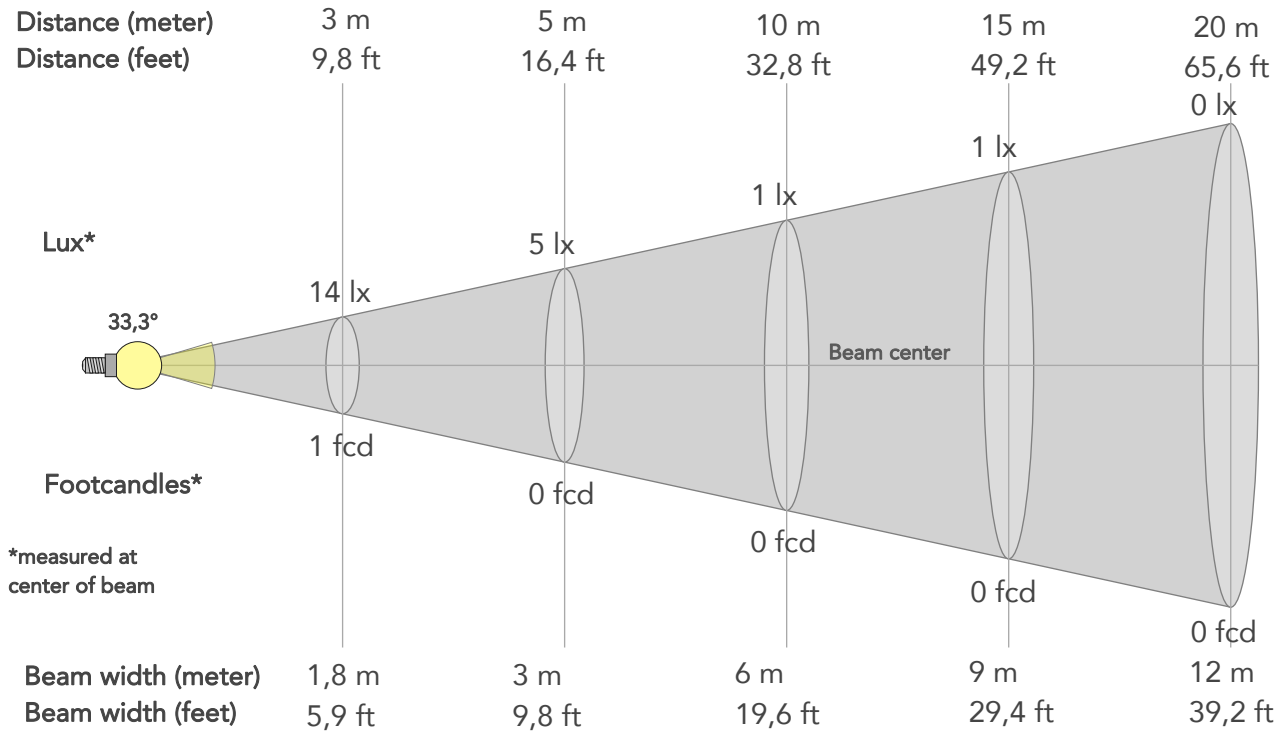
Spectra



BEAM DETAILS



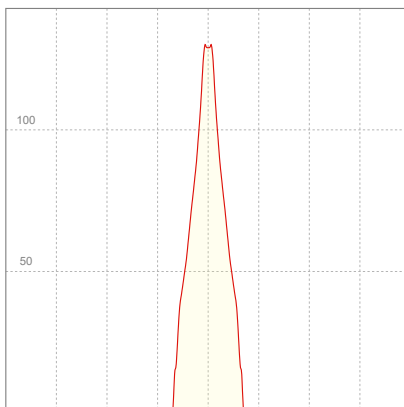
| | | | | |
|----------------|-----------------|--------------------|------------------------------|-----------------------------|
| Beam angle 50% | Field angle 10% | Cut off angle 2,5% | Intensity ratio in 120° cone | Intensity ratio in 90° cone |
| 33,3° | 59,9° | 62,2° | 91,3% | 90,8% |



BEAM INTENSITIES AND WIDTHS

| | | | | | | | | | | | | | |
|-----------|-------|-------|-------|--------|--------|--------|--------|--------|--------|-------|--------|---------|-------|
| Distance | 1m | 2m | 3m | 4m | 5m | 7,5m | 10m | 15m | 20m | 25m | 30m | 40m | 50m |
| Distance | 3,3ft | 6,6ft | 9,8ft | 13,1ft | 16,4ft | 24,6ft | 32,8ft | 49,2ft | 65,6ft | 82ft | 98,4ft | 131,2ft | 164ft |
| Lux | 129lx | 32lx | 14lx | 8lx | 5lx | 2lx | 1lx | 1lx | 0lx | 0lx | 0lx | 0lx | 0lx |
| Footcand. | 12fcd | 3fcd | 1fcd | 1fcd | 0fcd | 0fcd | 0fcd | 0fcd | 0fcd | 0fcd | 0fcd | 0fcd | 0fcd |
| Beam wid. | 0,6m | 1,2m | 1,8m | 2,4m | 3m | 4,5m | 6m | 9m | 12m | 14,9m | 17,9m | 23,9m | 29,9m |
| Beam wid. | 2ft | 3,9ft | 5,9ft | 7,8ft | 9,8ft | 14,7ft | 19,6ft | 29,4ft | 39,2ft | 49ft | 58,8ft | 78,4ft | 98ft |

LINEAR DISTRIBUTION DIAGRAM

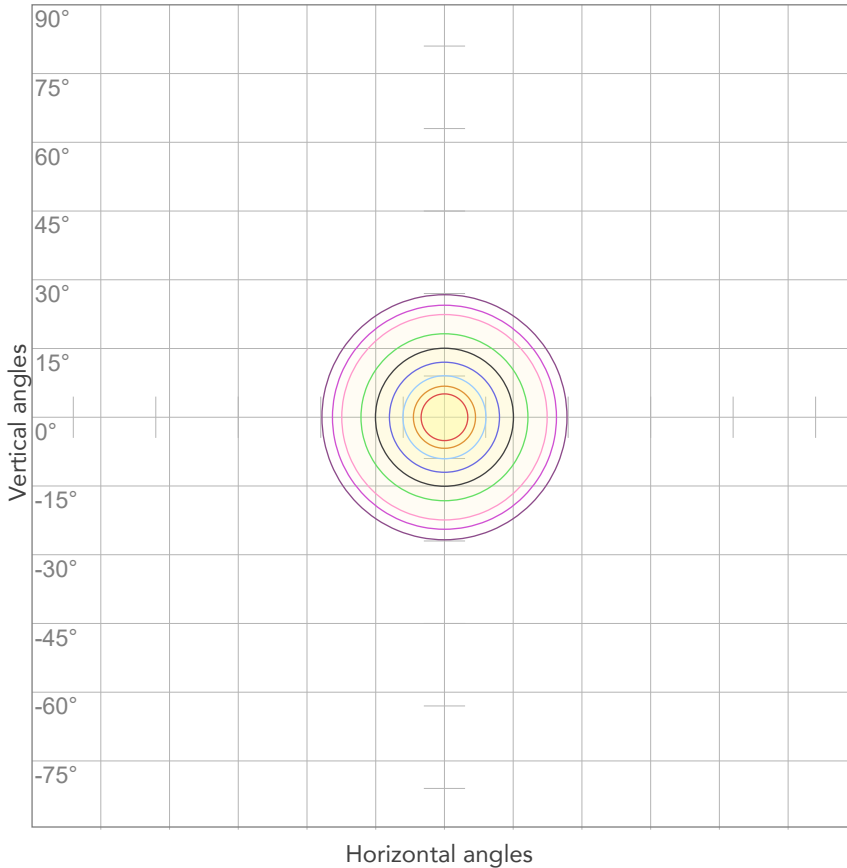


ELECTRICAL SPECIFICATIONS

| | | | |
|---------------|---------------|-------------|------------|
| Input voltage | Input current | Input power | Effeciency |
| 228V | 0,209A | 38,7W | 1lm/W |

| |
|----------|
| Power FC |
| 0,81 |

ISO CANDELA DIAGRAM



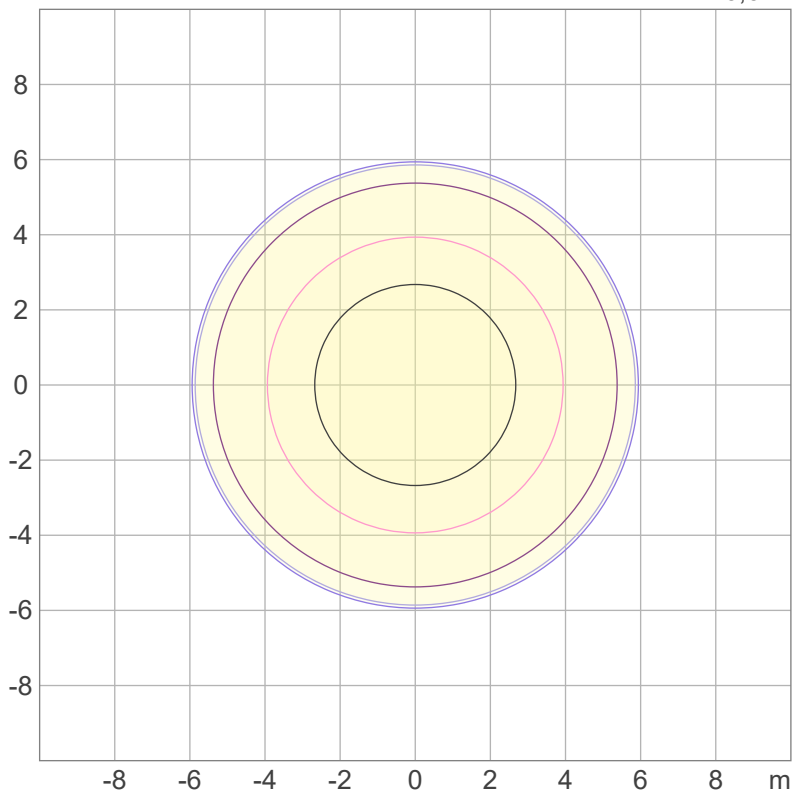
| | |
|-----|--------|
| 10% | 13 cd |
| 20% | 26 cd |
| 30% | 39 cd |
| 40% | 52 cd |
| 50% | 65 cd |
| 60% | 77 cd |
| 70% | 90 cd |
| 80% | 103 cd |

Conditions:

Number of c-planes: 2
Candela at center: 129 cd

ISO LUX DIAGRAM

MH: 10,0 m



Mounting height: 10 meters (33 feet)

| | |
|-----|----------|
| 3% | 38,7m lx |
| 5% | 64,5m lx |
| 10% | 0,129 lx |
| 30% | 0,387 lx |
| 50% | 0,645 lx |

Conditions:

Number of c-planes: 2
Lux at center: 1,29 lx

Lux distribution on a surface when lamp is mounted at 10 meters from the surface.



Total lumen output:

63,5 lm

Peak candela output:

241 cd

PRODUCT NAME:

Mosaico FX100 FC

MEASUREMENT CONDITIONS:

Beam angle:

Optic 30° LGBM

Target:

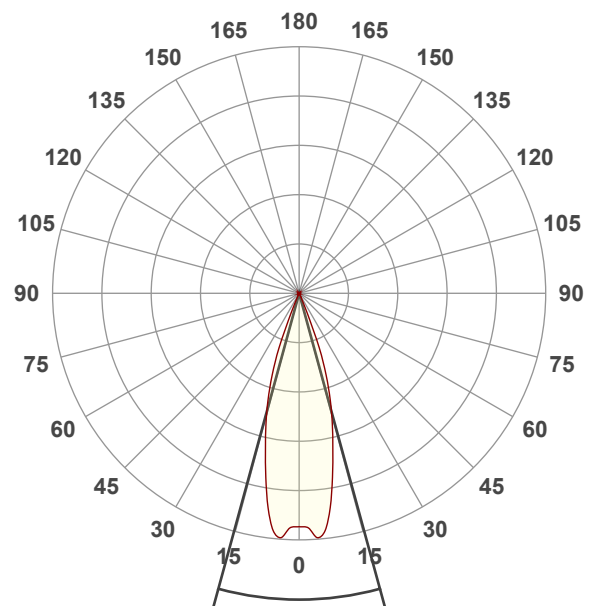
Blue

Operator:

Salvatore Giglio

Date and time:

11/01/2023 17:38:46

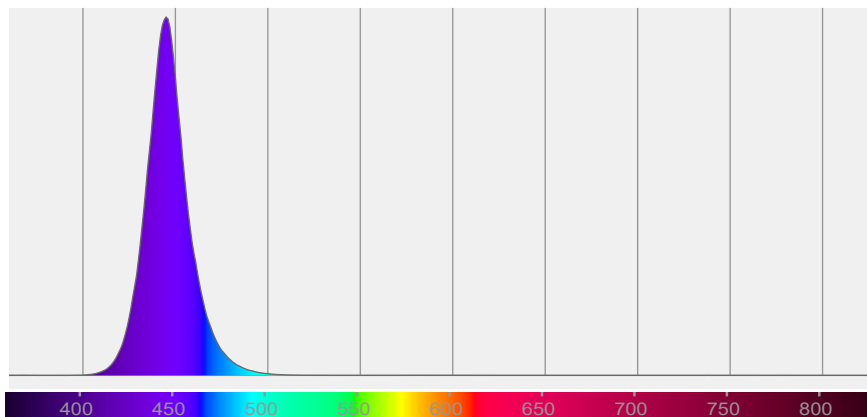


Beam angle 50%: 30,6°

Field angle 10%: 44,2°

Cut off angle 2.5%: 47,9°

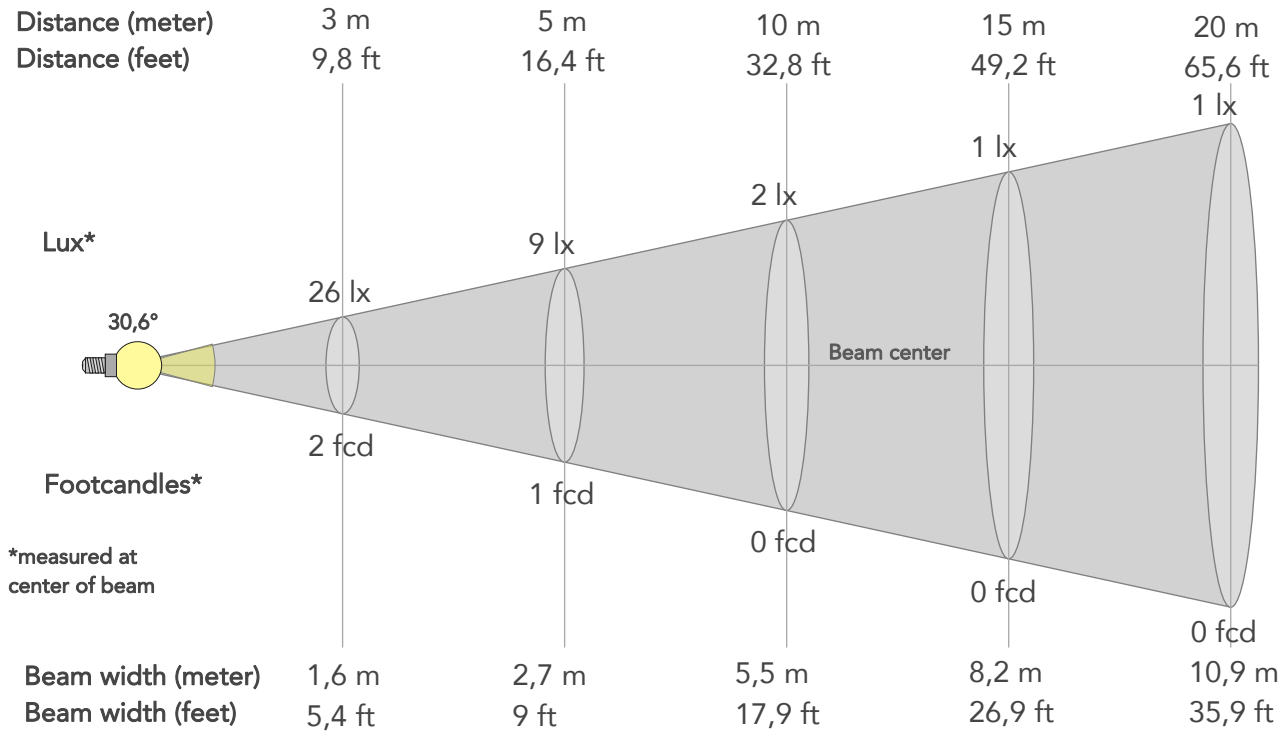
Spectra



BEAM DETAILS



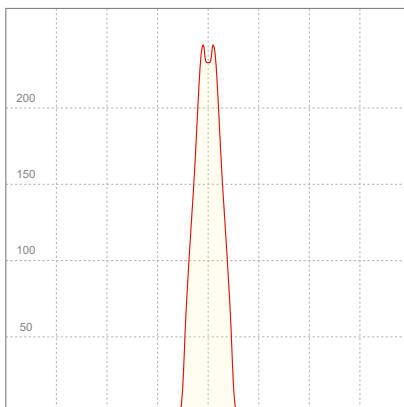
| | | | | |
|----------------|-----------------|--------------------|------------------------------|-----------------------------|
| Beam angle 50% | Field angle 10% | Cut off angle 2,5% | Intensity ratio in 120° cone | Intensity ratio in 90° cone |
| 30,6° | 44,2° | 47,9° | 93,4% | 93,1% |



BEAM INTENSITIES AND WIDTHS

| Distance | 1m | 2m | 3m | 4m | 5m | 7,5m | 10m | 15m | 20m | 25m | 30m | 40m | 50m |
|-----------|-------|-------|-------|--------|--------|--------|--------|--------|--------|--------|--------|---------|--------|
| Distance | 3,3ft | 6,6ft | 9,8ft | 13,1ft | 16,4ft | 24,6ft | 32,8ft | 49,2ft | 65,6ft | 82ft | 98,4ft | 131,2ft | 164ft |
| Lux | 230lx | 57lx | 26lx | 14lx | 9lx | 4lx | 2lx | 1lx | 1lx | 0lx | 0lx | 0lx | 0lx |
| Footcand. | 21fcd | 5fcd | 2fcd | 1fcd | 1fcd | 0fcd | 0fcd | 0fcd | 0fcd | 0fcd | 0fcd | 0fcd | 0fcd |
| Beam wid. | 0,5m | 1,1m | 1,6m | 2,2m | 2,7m | 4,1m | 5,5m | 8,2m | 10,9m | 13,7m | 16,4m | 21,9m | 27,3m |
| Beam wid. | 1,8ft | 3,6ft | 5,4ft | 7,2ft | 9ft | 13,5ft | 17,9ft | 26,9ft | 35,9ft | 44,8ft | 53,8ft | 71,7ft | 89,7ft |

LINEAR DISTRIBUTION DIAGRAM

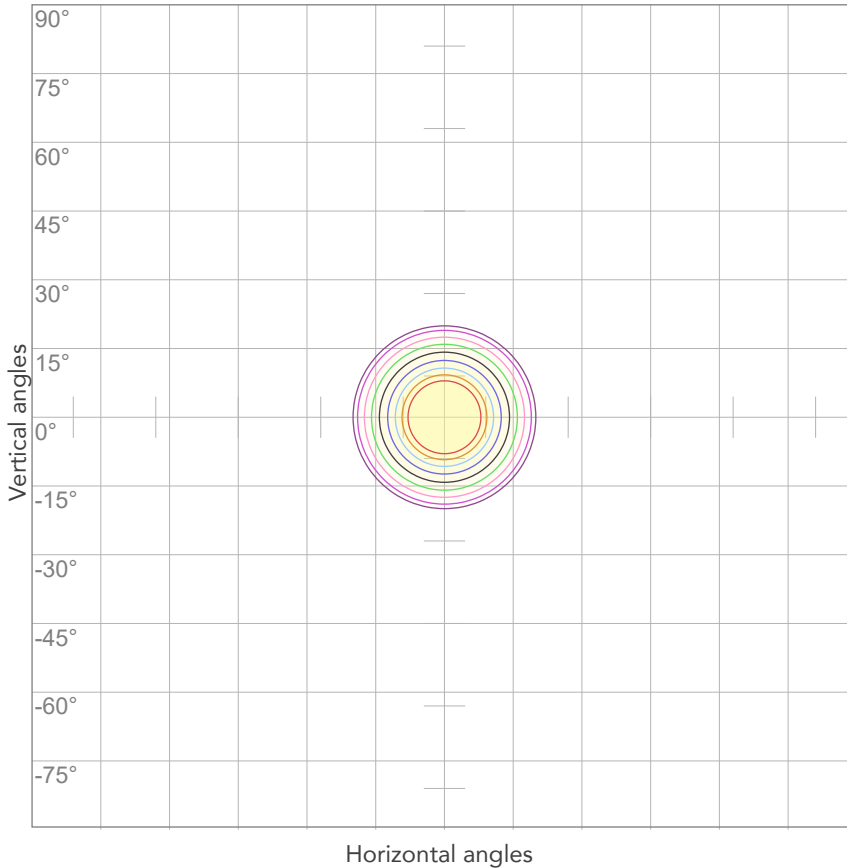


ELECTRICAL SPECIFICATIONS

| Input voltage | Input current | Input power | Effeciency |
|---------------|---------------|-------------|------------|
| 226V | 0,211A | 38,7W | 2lm/W |

| Power FC |
|----------|
| 0,81 |

ISO CANDELA DIAGRAM



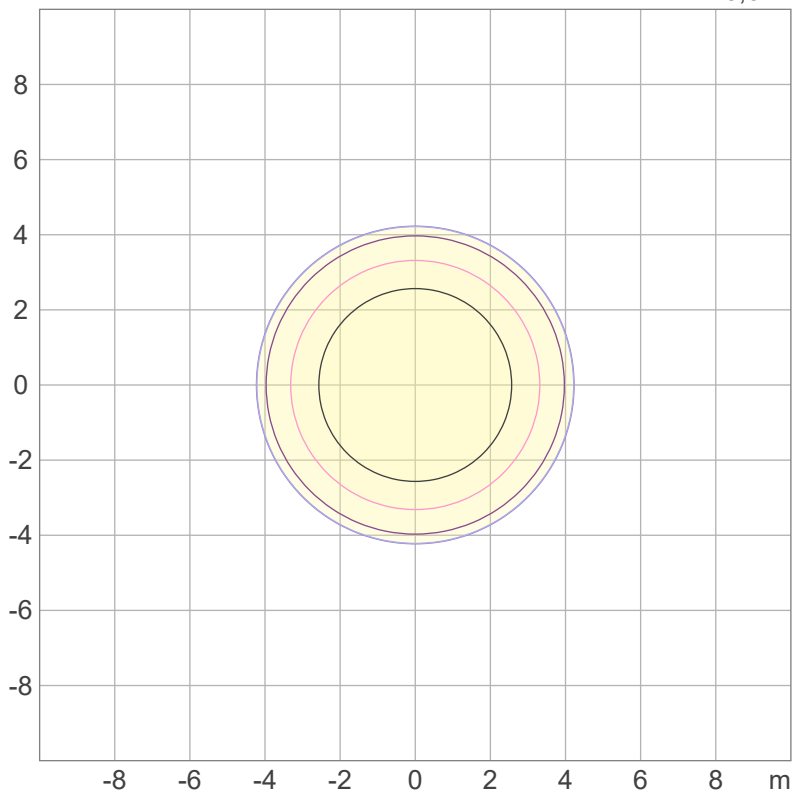
| | |
|-----|--------|
| 10% | 23 cd |
| 20% | 46 cd |
| 30% | 69 cd |
| 40% | 92 cd |
| 50% | 115 cd |
| 60% | 138 cd |
| 70% | 161 cd |
| 80% | 184 cd |

Conditions:

Number of c-planes: 2
Candela at center: 230 cd

ISO LUX DIAGRAM

MH: 10,0 m



Mounting height: 10 meters (33 feet)

| | |
|-----|----------|
| 3% | 68,9m lx |
| 5% | 0,115 lx |
| 10% | 0,230 lx |
| 30% | 0,689 lx |
| 50% | 1,15 lx |

Conditions:

Number of c-planes: 2
Lux at center: 2,30 lx

Lux distribution on a surface when lamp is mounted at 10 meters from the surface.



Total lumen output:

48,7 lm

Peak candela output:

108 cd

PRODUCT NAME:

Mosaico FX100 FC

MEASUREMENT CONDITIONS:

Beam angle:

Optic 50° LGBW

Target:

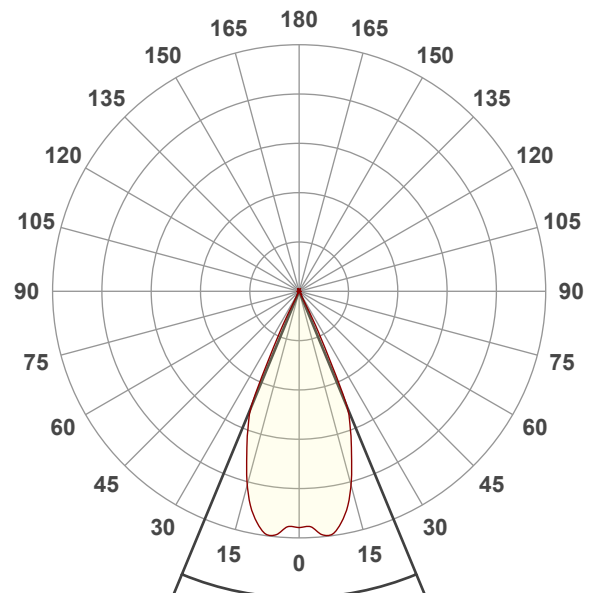
Blue

Operator:

Salvatore Giglio

Date and time:

12/01/2023 11:41:36

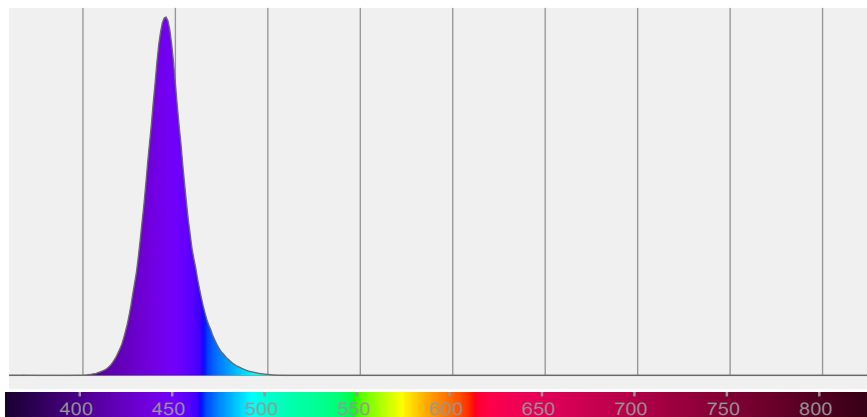


Beam angle 50%: 45°

Field angle 10%: 52,9°

Cut off angle 2.5%: 55°

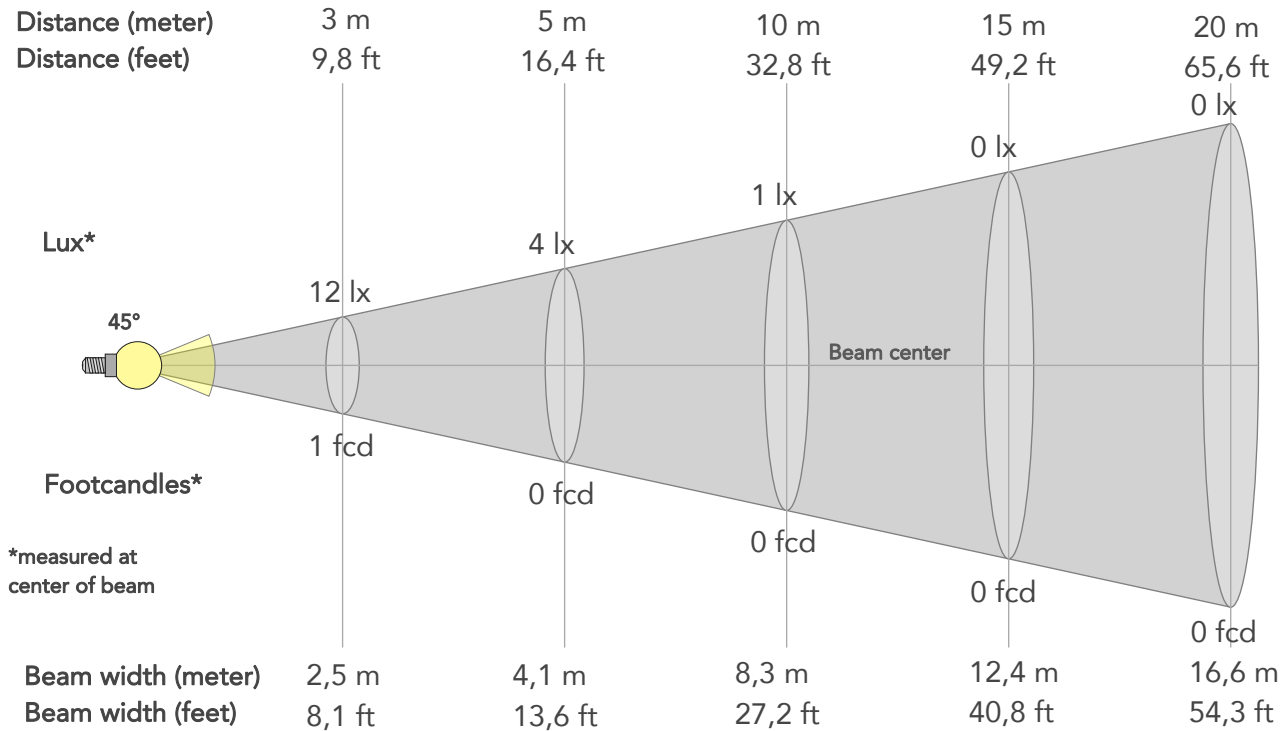
Spectra



BEAM DETAILS



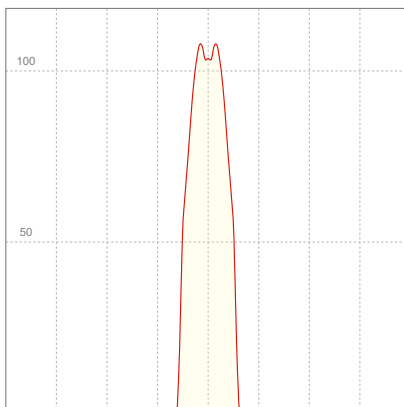
| | | | | |
|----------------|-----------------|--------------------|------------------------------|-----------------------------|
| Beam angle 50% | Field angle 10% | Cut off angle 2,5% | Intensity ratio in 120° cone | Intensity ratio in 90° cone |
| 45° | 52,9° | 55° | 94,7% | 94,3% |



BEAM INTENSITIES AND WIDTHS

| Distance | 1m | 2m | 3m | 4m | 5m | 7,5m | 10m | 15m | 20m | 25m | 30m | 40m | 50m |
|-----------|-------|-------|-------|--------|--------|--------|--------|--------|--------|--------|--------|---------|---------|
| Distance | 3,3ft | 6,6ft | 9,8ft | 13,1ft | 16,4ft | 24,6ft | 32,8ft | 49,2ft | 65,6ft | 82ft | 98,4ft | 131,2ft | 164ft |
| Lux | 104lx | 26lx | 12lx | 6lx | 4lx | 2lx | 1lx | 0lx | 0lx | 0lx | 0lx | 0lx | 0lx |
| Footcand. | 10fcd | 2fcd | 1fcd | 1fcd | 0fcd | 0fcd | 0fcd | 0fcd | 0fcd | 0fcd | 0fcd | 0fcd | 0fcd |
| Beam wid. | 0,8m | 1,7m | 2,5m | 3,3m | 4,1m | 6,2m | 8,3m | 12,4m | 16,6m | 20,7m | 24,9m | 33,1m | 41,4m |
| Beam wid. | 2,7ft | 5,5ft | 8,1ft | 10,9ft | 13,6ft | 20,4ft | 27,2ft | 40,8ft | 54,3ft | 67,9ft | 81,5ft | 108,7ft | 135,9ft |

LINEAR DISTRIBUTION DIAGRAM

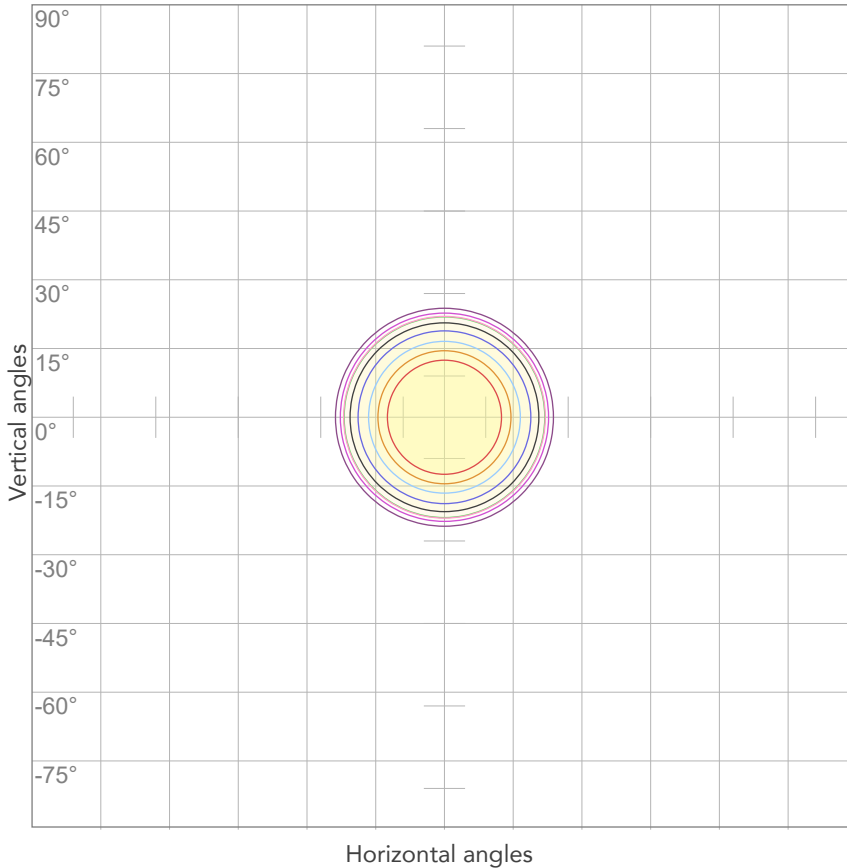


ELECTRICAL SPECIFICATIONS

| Input voltage | Input current | Input power | Effeciency |
|---------------|---------------|-------------|------------|
| 226V | 0,211A | 38,7W | 1lm/W |

| Power FC |
|----------|
| 0,81 |

ISO CANDELA DIAGRAM



| | |
|-----|-------|
| 10% | 10 cd |
| 20% | 21 cd |
| 30% | 31 cd |
| 40% | 41 cd |
| 50% | 52 cd |
| 60% | 62 cd |
| 70% | 73 cd |
| 80% | 83 cd |

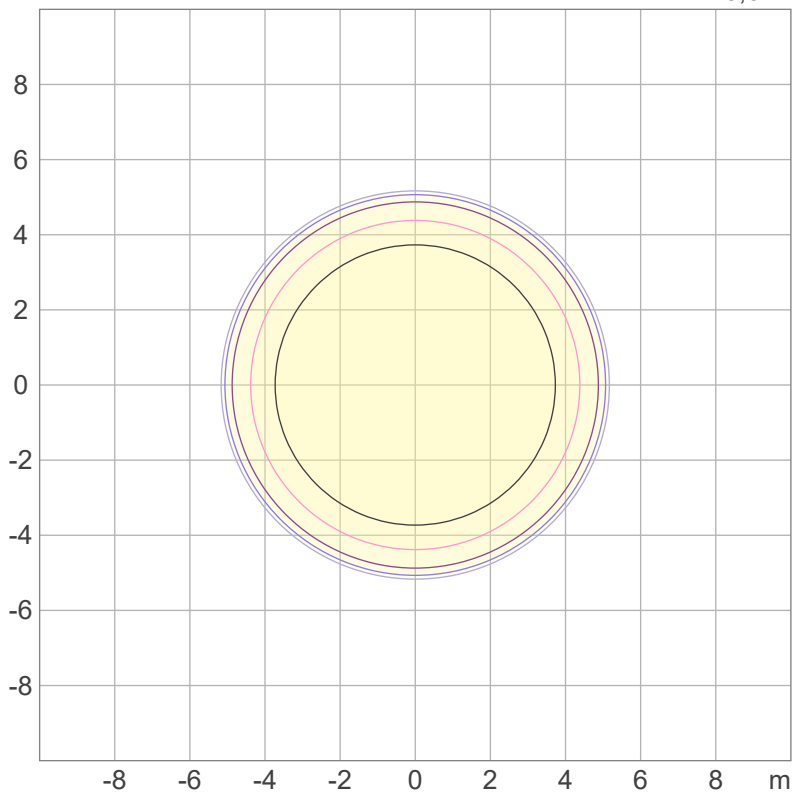
Conditions:

Number of c-planes: 2

Candela at center: 104 cd

ISO LUX DIAGRAM

MH: 10,0 m



Mounting height: 10 meters (33 feet)

| | |
|-----|----------|
| 3% | 31,1m lx |
| 5% | 51,8m lx |
| 10% | 0,104 lx |
| 30% | 0,311 lx |
| 50% | 0,518 lx |

Conditions:

Number of c-planes: 2

Lux at center: 1,04 lx

Lux distribution on a surface when lamp is mounted at 10 meters from the surface.



Total lumen output:

888 lm

Peak candela output:

11616 cd

PRODUCT NAME:

Mosaico FX100 FC

MEASUREMENT CONDITIONS:

Beam angle:

Optic 15° LWGN

Target:

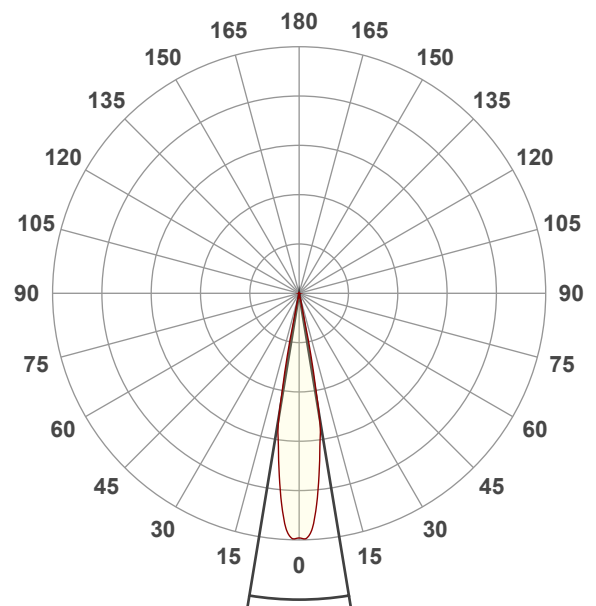
White

Operator:

Salvatore Giglio

Date and time:

11/01/2023 15:32:58

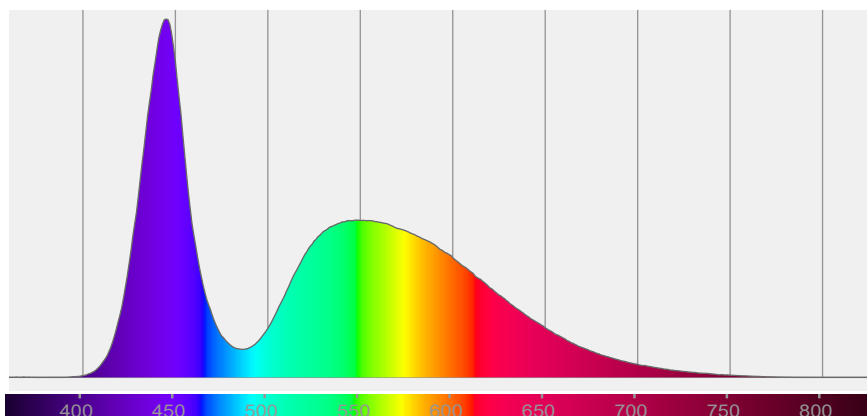


Beam angle 50%: 18,7°

Field angle 10%: 23,5°

Cut off angle 2.5%: 24,7°

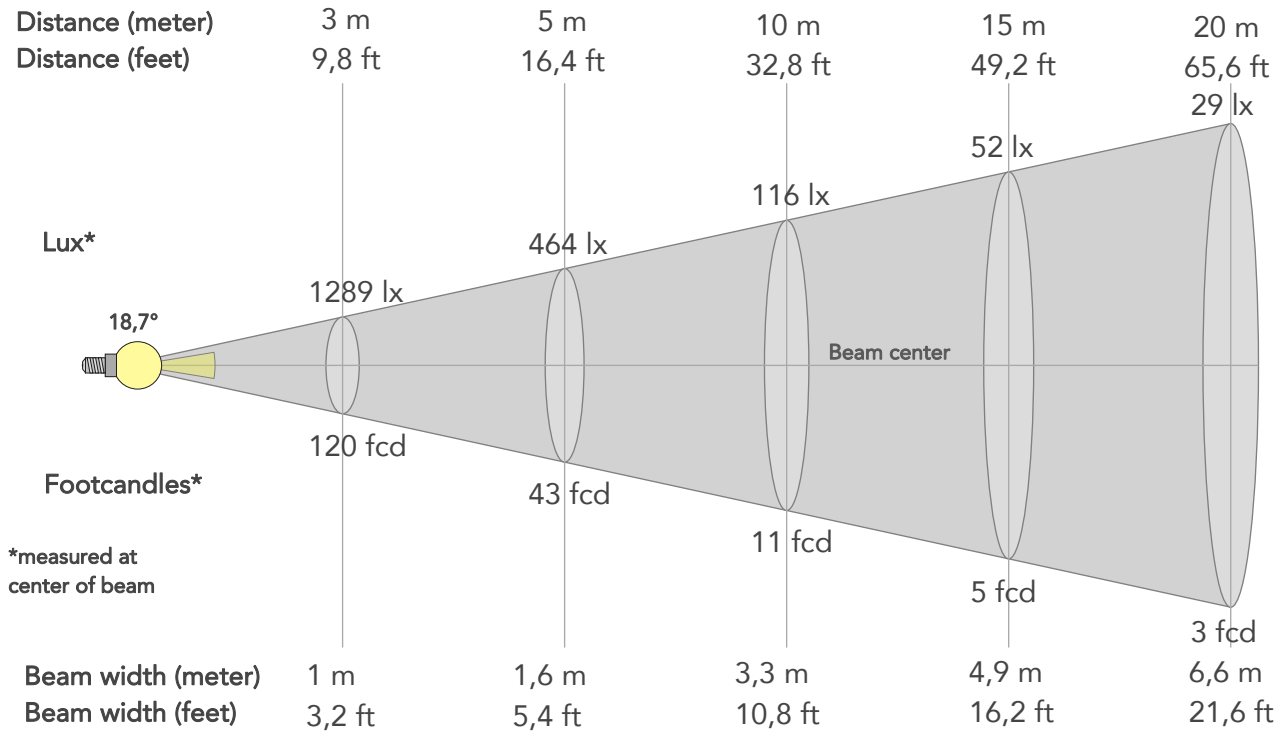
Spectra



BEAM DETAILS



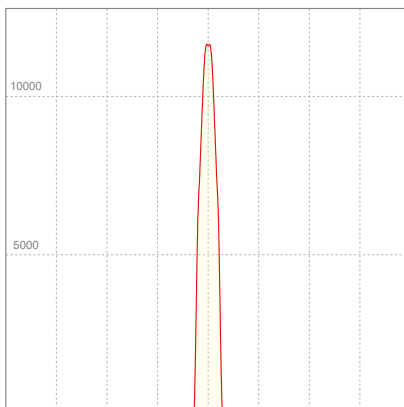
| | | | | |
|----------------|-----------------|--------------------|------------------------------|-----------------------------|
| Beam angle 50% | Field angle 10% | Cut off angle 2,5% | Intensity ratio in 120° cone | Intensity ratio in 90° cone |
| 18,7° | 23,5° | 24,7° | 99,9% | 99,9% |



BEAM INTENSITIES AND WIDTHS

| | | | | | | | | | | | | | |
|-----------|---------|--------|--------|--------|--------|--------|--------|--------|--------|------|--------|---------|-------|
| Distance | 1m | 2m | 3m | 4m | 5m | 7,5m | 10m | 15m | 20m | 25m | 30m | 40m | 50m |
| Distance | 3,3ft | 6,6ft | 9,8ft | 13,1ft | 16,4ft | 24,6ft | 32,8ft | 49,2ft | 65,6ft | 82ft | 98,4ft | 131,2ft | 164ft |
| Lux | 11600lx | 2900lx | 1289lx | 725lx | 464lx | 206lx | 116lx | 52lx | 29lx | 19lx | 13lx | 7lx | 5lx |
| Footcand. | 1078fcd | 269fcd | 120fcd | 67fcd | 43fcd | 19fcd | 11fcd | 5fcd | 3fcd | 2fcd | 1fcd | 1fcd | 0fcd |
| Beam wid. | 0,3m | 0,7m | 1m | 1,3m | 1,6m | 2,5m | 3,3m | 4,9m | 6,6m | 8,2m | 9,9m | 13,2m | 16,5m |
| Beam wid. | 1,1ft | 2,2ft | 3,2ft | 4,3ft | 5,4ft | 8,1ft | 10,8ft | 16,2ft | 21,6ft | 27ft | 32,4ft | 43,2ft | 54ft |

LINEAR DISTRIBUTION DIAGRAM

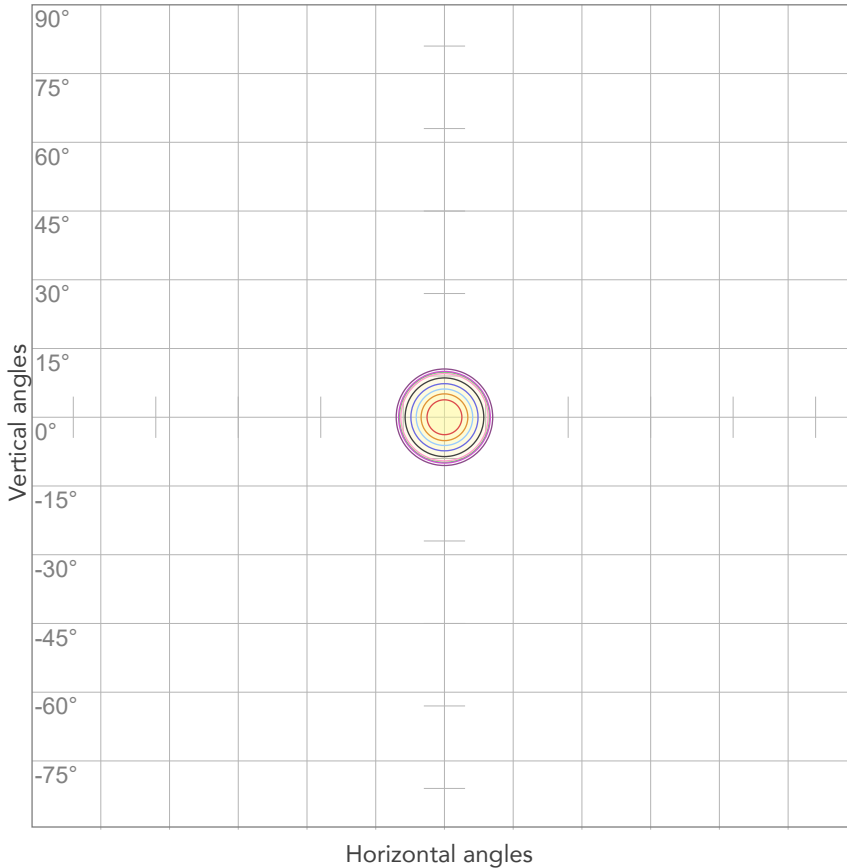


ELECTRICAL SPECIFICATIONS

| | | | |
|---------------|---------------|-------------|------------|
| Input voltage | Input current | Input power | Effeciency |
| 225V | 0,294A | 58,5W | 15lm/W |

| |
|----------|
| Power FC |
| 0,88 |

ISO CANDELA DIAGRAM



| | |
|-----|---------|
| 10% | 1160 cd |
| 20% | 2320 cd |
| 30% | 3480 cd |
| 40% | 4640 cd |
| 50% | 5800 cd |
| 60% | 6960 cd |
| 70% | 8120 cd |
| 80% | 9280 cd |

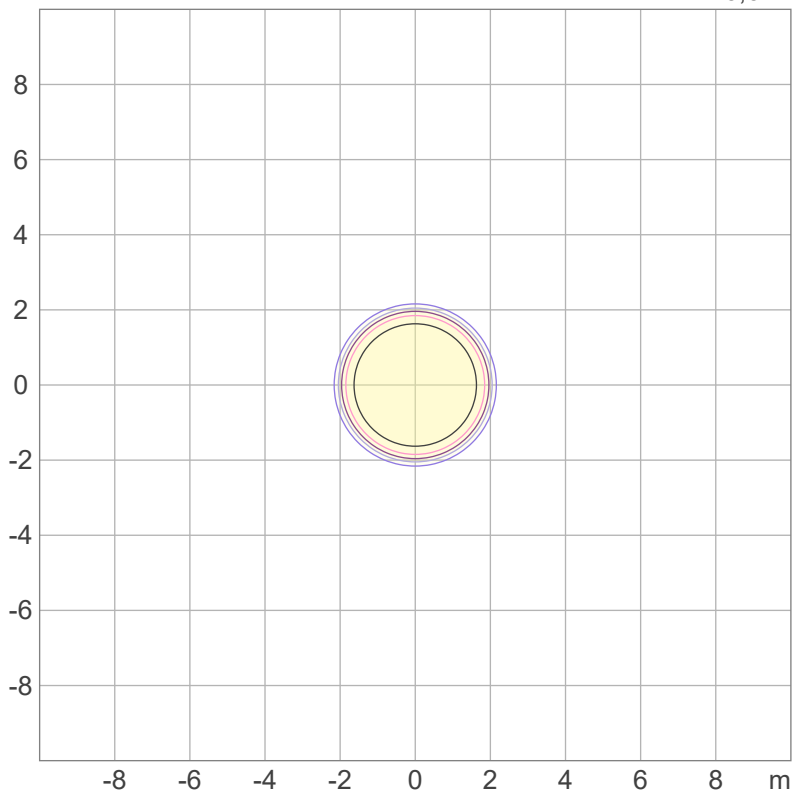
Conditions:

Number of c-planes: 2

Candela at center: 11600 cd

ISO LUX DIAGRAM

MH: 10,0 m



Mounting height: 10 meters (33 feet)

| | |
|-----|---------|
| 3% | 3,48 lx |
| 5% | 5,80 lx |
| 10% | 11,6 lx |
| 30% | 34,8 lx |
| 50% | 58,0 lx |

Conditions:

Number of c-planes: 2

Lux at center: 116 lx

Lux distribution on a surface when lamp is mounted at 10 meters from the surface.



Total lumen output:

961 lm

Peak candela output:

7337 cd

PRODUCT NAME:

Mosaico FX100 FC

MEASUREMENT CONDITIONS:

Beam angle:

Optic 30° LWTM

Target:

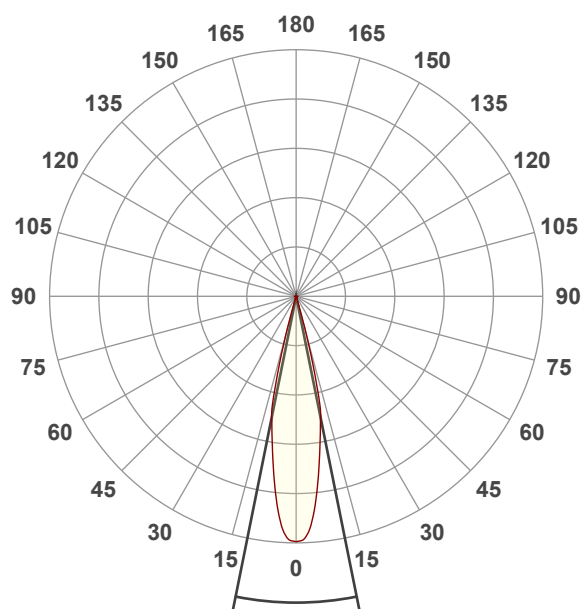
White

Operator:

Salvatore Giglio

Date and time:

11/01/2023 16:41:46

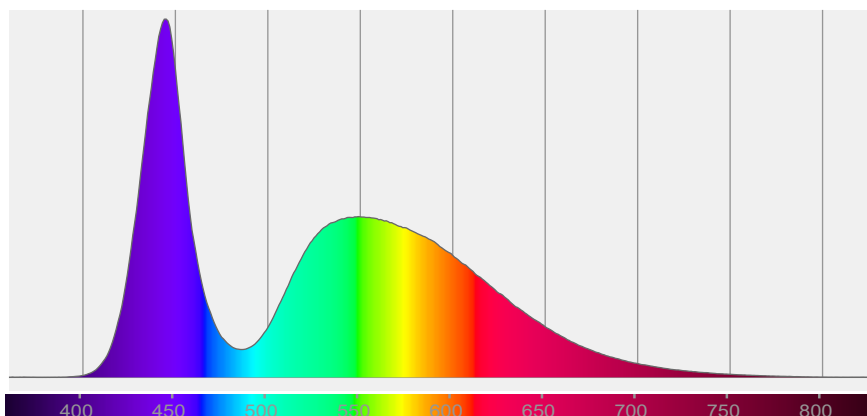


Beam angle 50%: 22,8°

Field angle 10%: 31,5°

Cut off angle 2.5%: 33,4°

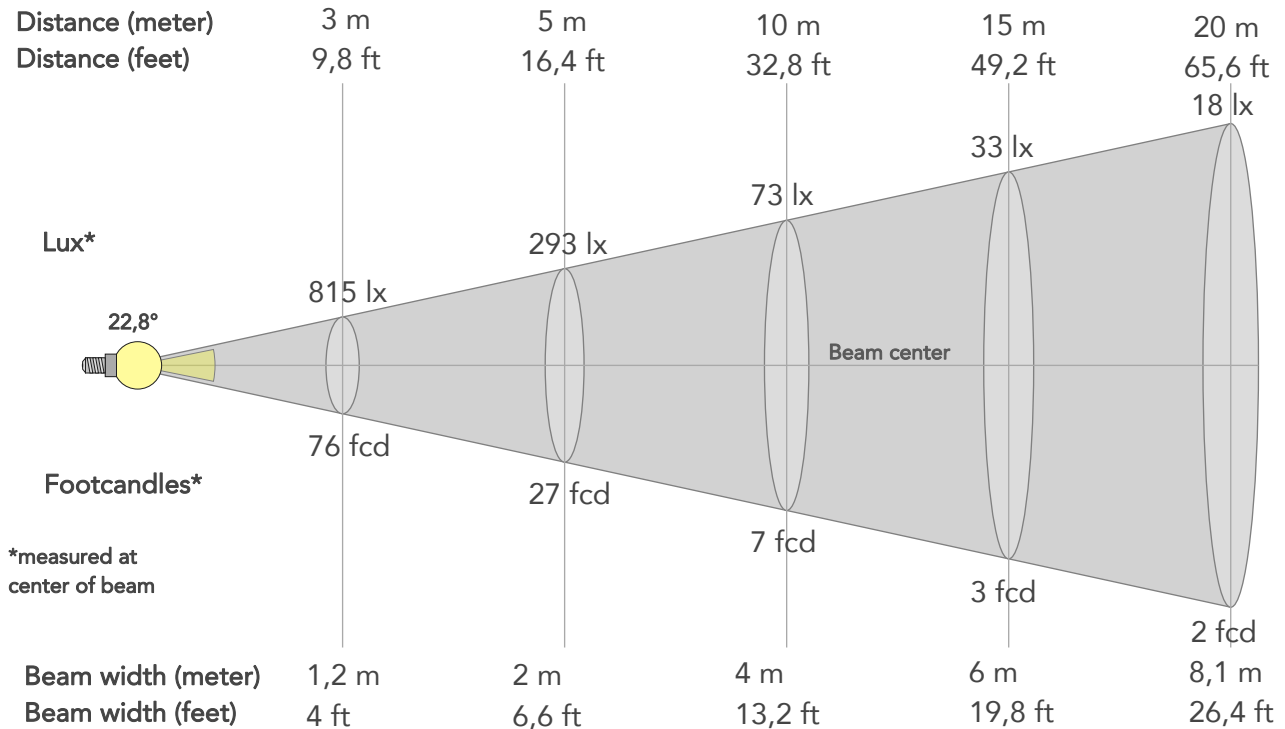
Spectra



BEAM DETAILS



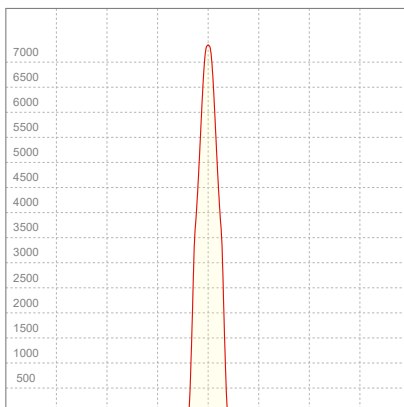
| | | | | |
|----------------|-----------------|--------------------|------------------------------|-----------------------------|
| Beam angle 50% | Field angle 10% | Cut off angle 2,5% | Intensity ratio in 120° cone | Intensity ratio in 90° cone |
| 22,8° | 31,5° | 33,4° | 94,2% | 94,2% |



BEAM INTENSITIES AND WIDTHS

| | | | | | | | | | | | | | |
|-----------|--------|--------|-------|--------|--------|--------|--------|--------|--------|--------|--------|---------|--------|
| Distance | 1m | 2m | 3m | 4m | 5m | 7,5m | 10m | 15m | 20m | 25m | 30m | 40m | 50m |
| Distance | 3,3ft | 6,6ft | 9,8ft | 13,1ft | 16,4ft | 24,6ft | 32,8ft | 49,2ft | 65,6ft | 82ft | 98,4ft | 131,2ft | 164ft |
| Lux | 7337lx | 1834lx | 815lx | 459lx | 293lx | 130lx | 73lx | 33lx | 18lx | 12lx | 8lx | 5lx | 3lx |
| Footcand. | 682fcd | 170fcd | 76fcd | 43fcd | 27fcd | 12fcd | 7fcd | 3fcd | 2fcd | 1fcd | 1fcd | 0fcd | 0fcd |
| Beam wid. | 0,4m | 0,8m | 1,2m | 1,6m | 2m | 3m | 4m | 6m | 8,1m | 10,1m | 12,1m | 16,1m | 20,2m |
| Beam wid. | 1,3ft | 2,7ft | 4ft | 5,3ft | 6,6ft | 9,9ft | 13,2ft | 19,8ft | 26,4ft | 33,1ft | 39,7ft | 52,9ft | 66,1ft |

LINEAR DISTRIBUTION DIAGRAM

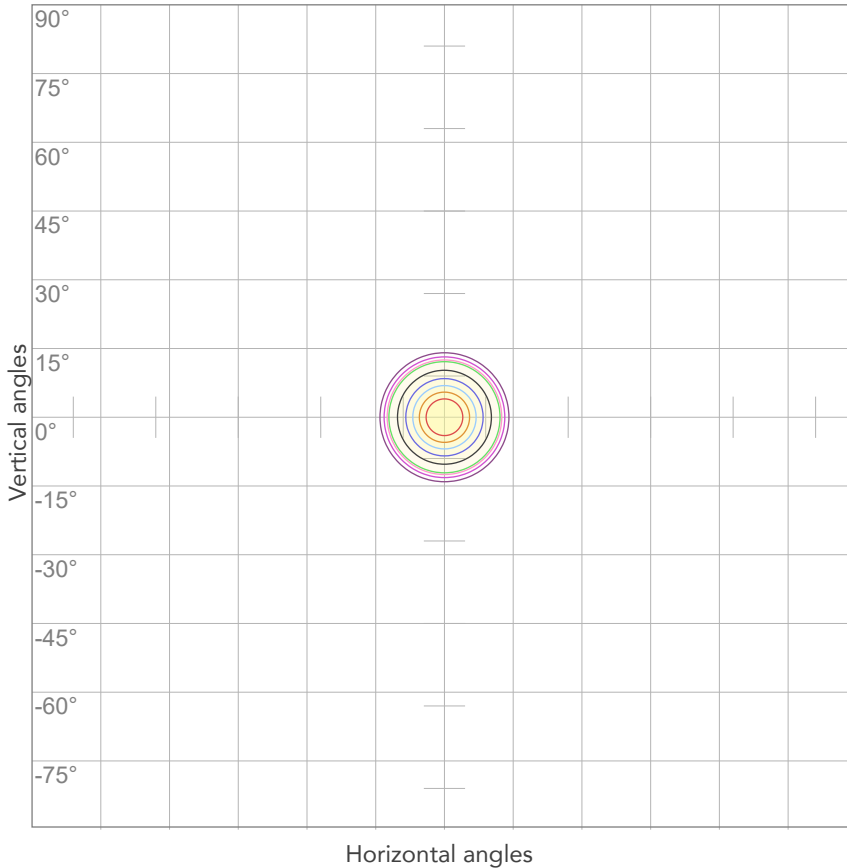


ELECTRICAL SPECIFICATIONS

| | | | |
|---------------|---------------|-------------|------------|
| Input voltage | Input current | Input power | Effeciency |
| 224V | 0,297A | 58,7W | 16lm/W |

| |
|----------|
| Power FC |
| 0,88 |

ISO CANDELA DIAGRAM



| | |
|-----|---------|
| 10% | 734 cd |
| 20% | 1467 cd |
| 30% | 2201 cd |
| 40% | 2935 cd |
| 50% | 3669 cd |
| 60% | 4402 cd |
| 70% | 5136 cd |
| 80% | 5870 cd |

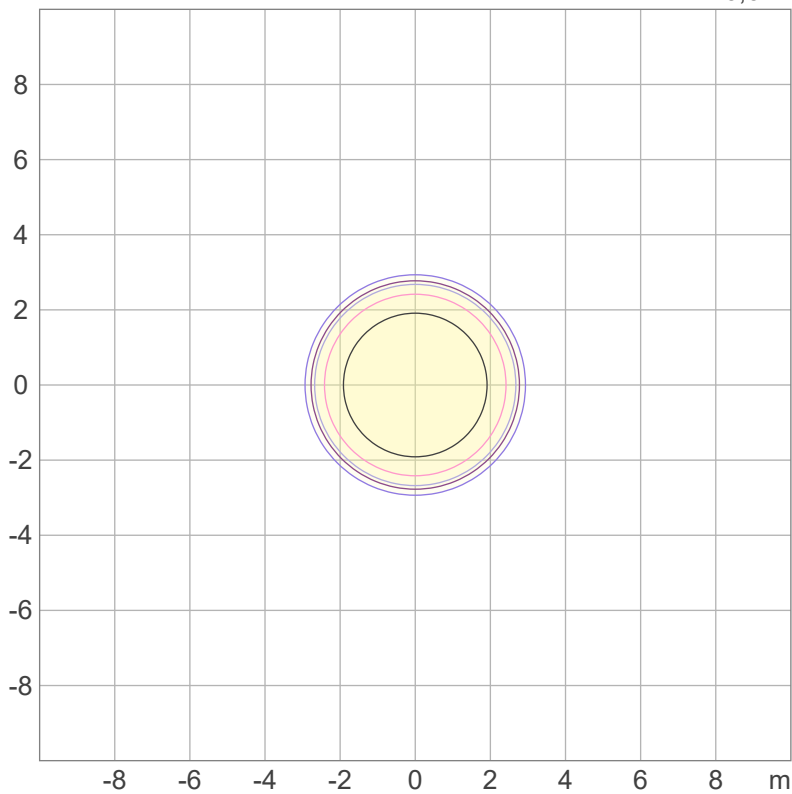
Conditions:

Number of c-planes: 2

Candela at center: 7337 cd

ISO LUX DIAGRAM

MH: 10,0 m



| | |
|-----|---------|
| 3% | 2,20 lx |
| 5% | 3,67 lx |
| 10% | 7,34 lx |
| 30% | 22,0 lx |
| 50% | 36,7 lx |

Conditions:

Number of c-planes: 2

Lux at center: 73,4 lx

Lux distribution on a surface when lamp is mounted at 10 meters from the surface.



Total lumen output:

974 lm

Peak candela output:

3245 cd

PRODUCT NAME:

Mosaico FX100 FC

MEASUREMENT CONDITIONS:

Beam angle:

Optic 50° LWTW

Target:

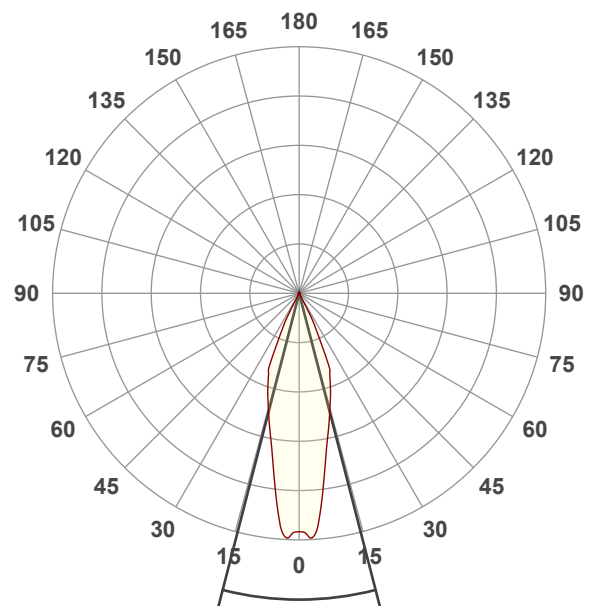
White

Operator:

Salvatore Giglio

Date and time:

12/01/2023 10:57:44

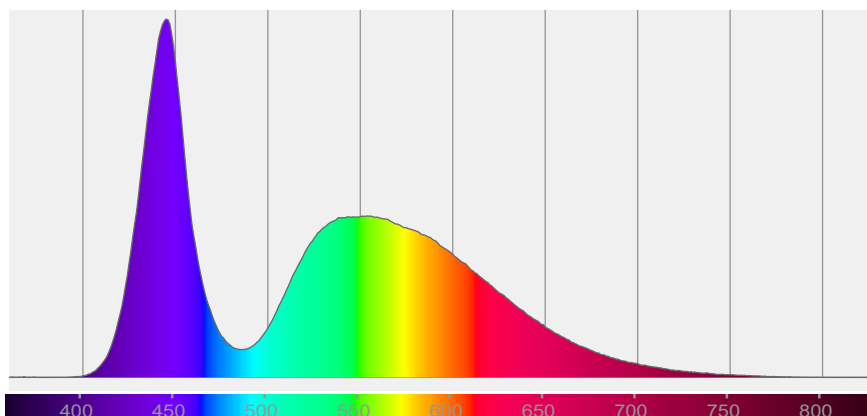


Beam angle 50%: 28,9°

Field angle 10%: 53,7°

Cut off angle 2.5%: 56,1°

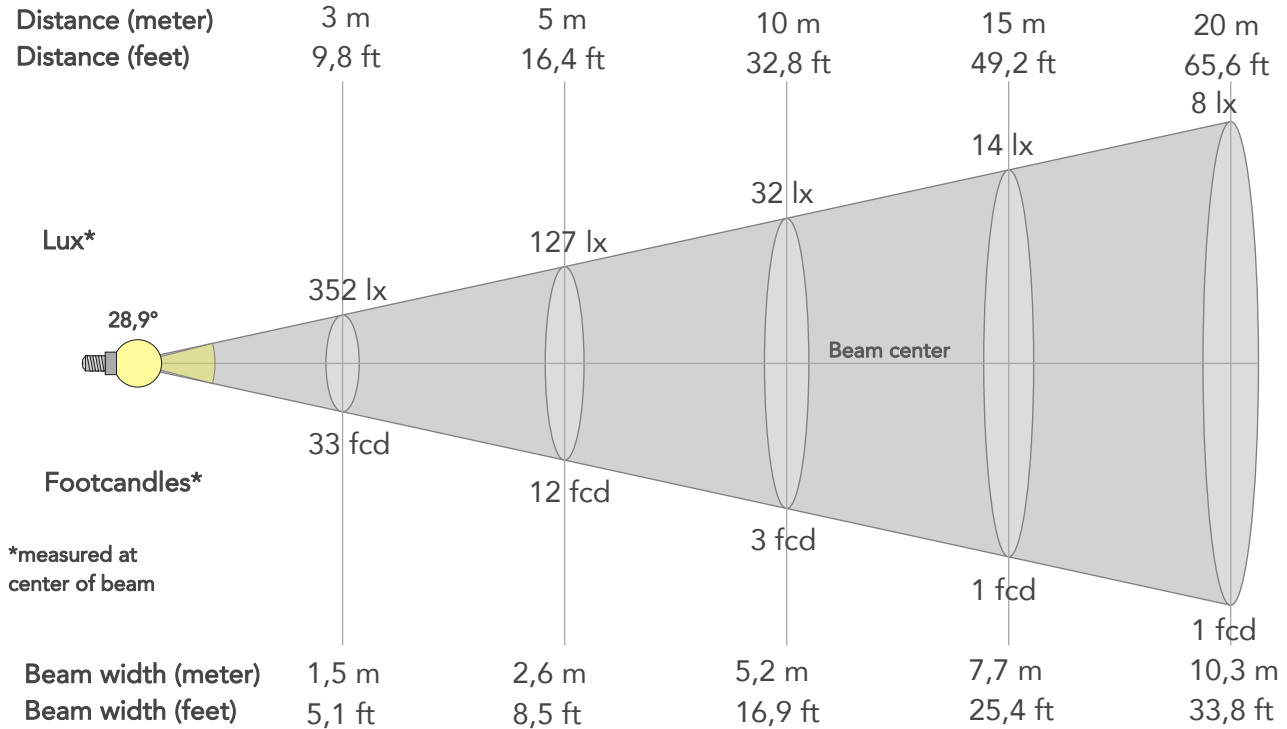
Spectra



BEAM DETAILS



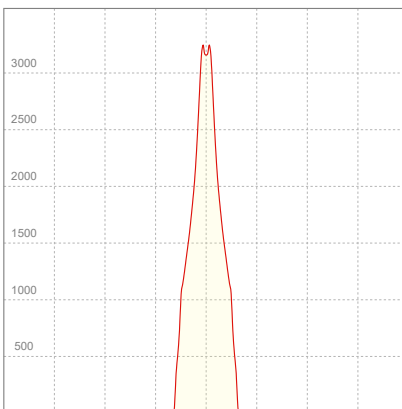
| | | | | |
|----------------|-----------------|--------------------|------------------------------|-----------------------------|
| Beam angle 50% | Field angle 10% | Cut off angle 2,5% | Intensity ratio in 120° cone | Intensity ratio in 90° cone |
| 28,9° | 53,7° | 56,1° | 96,3% | 96,2% |



BEAM INTENSITIES AND WIDTHS

| Distance | 1m | 2m | 3m | 4m | 5m | 7,5m | 10m | 15m | 20m | 25m | 30m | 40m | 50m |
|-----------|--------|-------|-------|--------|--------|--------|--------|--------|--------|--------|--------|---------|--------|
| Distance | 3,3ft | 6,6ft | 9,8ft | 13,1ft | 16,4ft | 24,6ft | 32,8ft | 49,2ft | 65,6ft | 82ft | 98,4ft | 131,2ft | 164ft |
| Lux | 3167lx | 792lx | 352lx | 198lx | 127lx | 56lx | 32lx | 14lx | 8lx | 5lx | 4lx | 2lx | 1lx |
| Footcand. | 294fcd | 74fcd | 33fcd | 18fcd | 12fcd | 5fcd | 3fcd | 1fcd | 1fcd | 0fcd | 0fcd | 0fcd | 0fcd |
| Beam wid. | 0,5m | 1m | 1,5m | 2,1m | 2,6m | 3,9m | 5,2m | 7,7m | 10,3m | 12,9m | 15,5m | 20,6m | 25,8m |
| Beam wid. | 1,7ft | 3,4ft | 5,1ft | 6,8ft | 8,5ft | 12,7ft | 16,9ft | 25,4ft | 33,8ft | 42,3ft | 50,7ft | 67,6ft | 84,6ft |

LINEAR DISTRIBUTION DIAGRAM

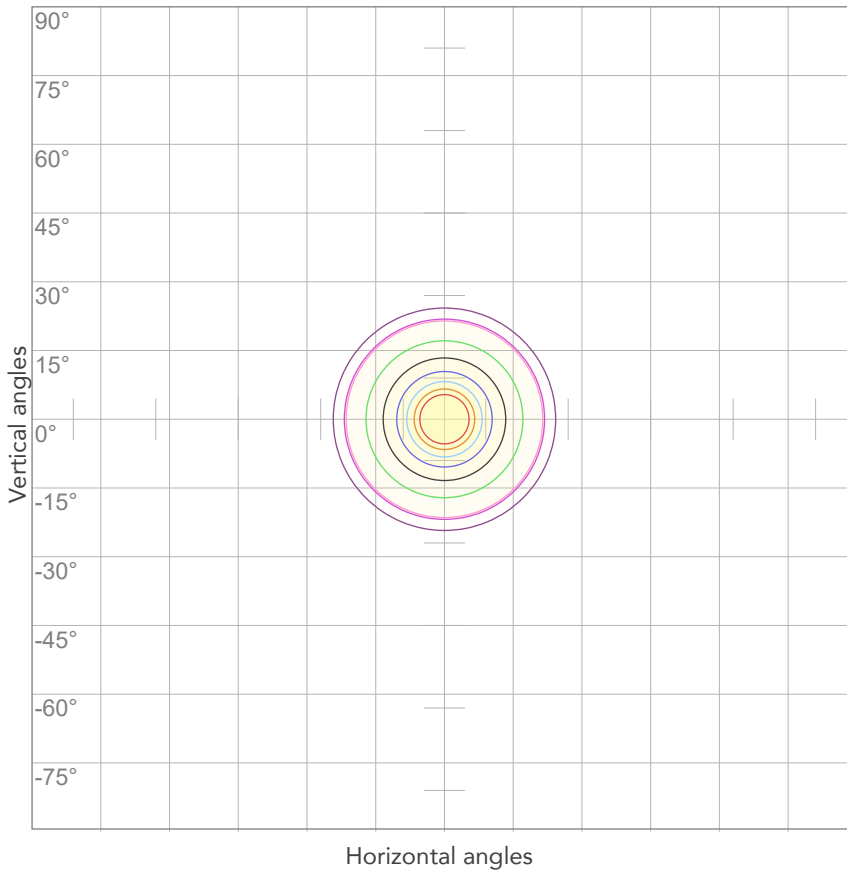


ELECTRICAL SPECIFICATIONS

| Input voltage | Input current | Input power | Effeciency |
|---------------|---------------|-------------|------------|
| 226V | 0,294A | 58,4W | 17lm/W |

| Power FC |
|----------|
| 0,88 |

ISO CANDELA DIAGRAM



| | |
|-----|---------|
| 10% | 317 cd |
| 20% | 633 cd |
| 30% | 950 cd |
| 40% | 1267 cd |
| 50% | 1583 cd |
| 60% | 1900 cd |
| 70% | 2217 cd |
| 80% | 2534 cd |

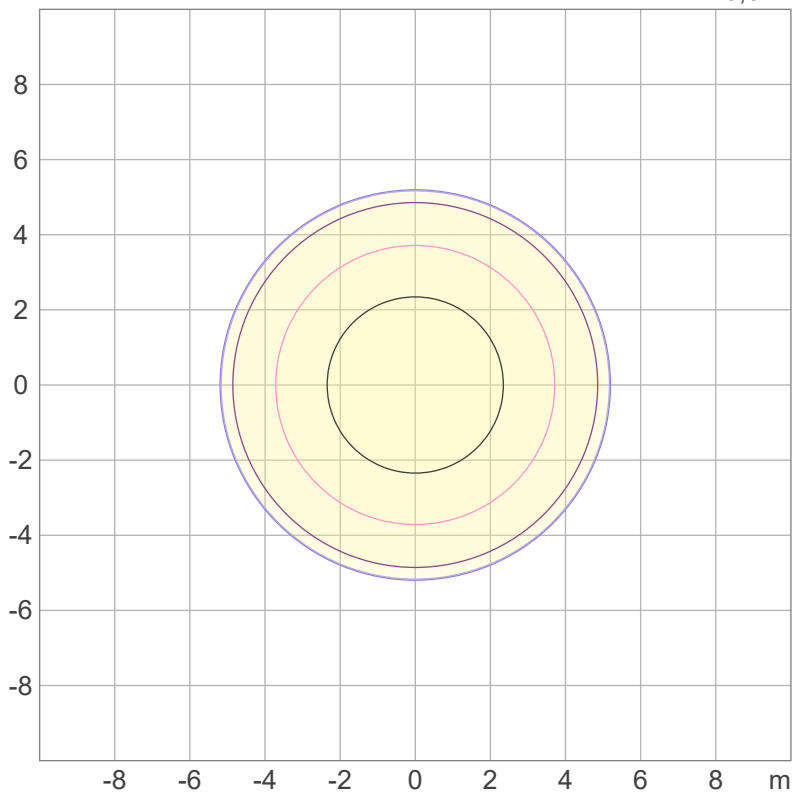
Conditions:

Number of c-planes: 2

Candela at center: 3167 cd

ISO LUX DIAGRAM

MH: 10,0 m



| | |
|-----|----------|
| 3% | 0,950 lx |
| 5% | 1,58 lx |
| 10% | 3,17 lx |
| 30% | 9,50 lx |
| 50% | 15,8 lx |

Conditions:

Number of c-planes: 2

Lux at center: 31,7 lx

Lux distribution on a surface when lamp is mounted at 10 meters from the surface.



Total lumen output:

686 lm

Peak candela output:

1616 cd

PRODUCT NAME:

Mosaico FX100 FC

MEASUREMENT CONDITIONS:

Beam angle:

Optic 70° LWGVW

Target:

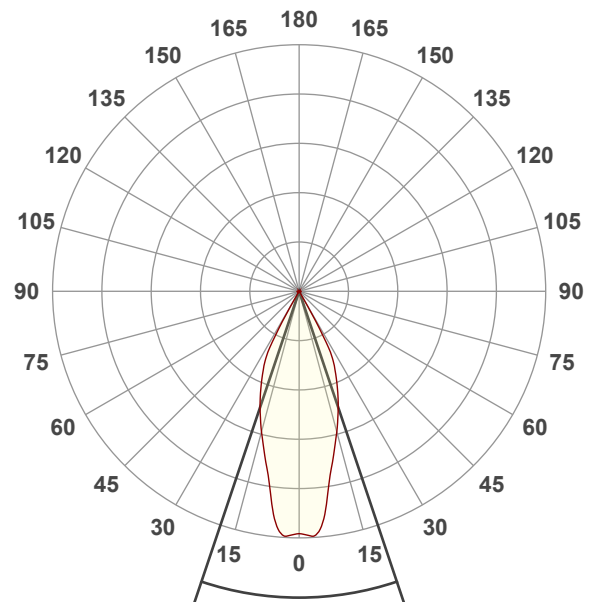
White

Operator:

Salvatore Giglio

Date and time:

12/01/2023 12:57:00

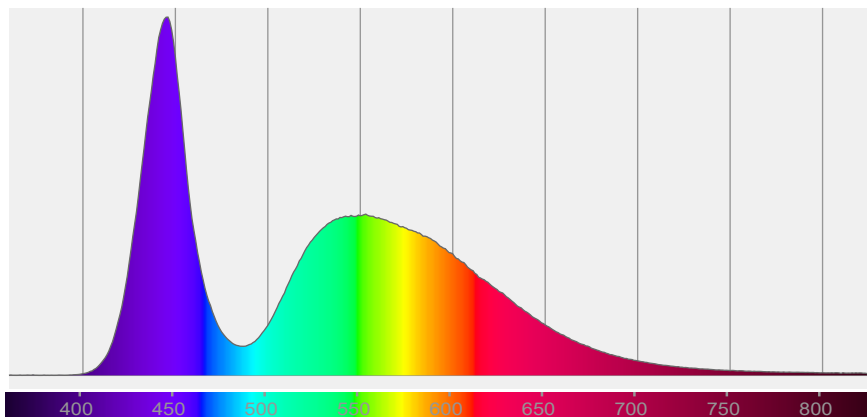


Beam angle 50%: 37,2°

Field angle 10%: 59,1°

Cut off angle 2.5%: 61°

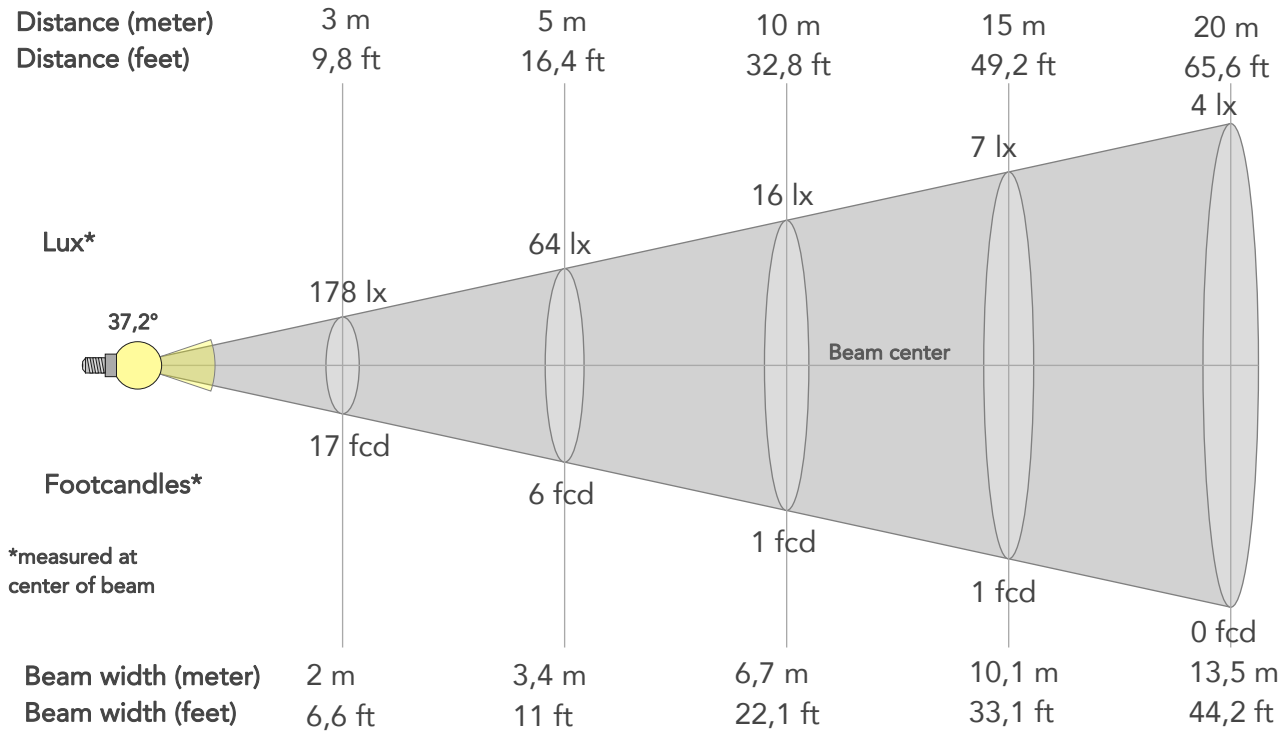
Spectra



BEAM DETAILS



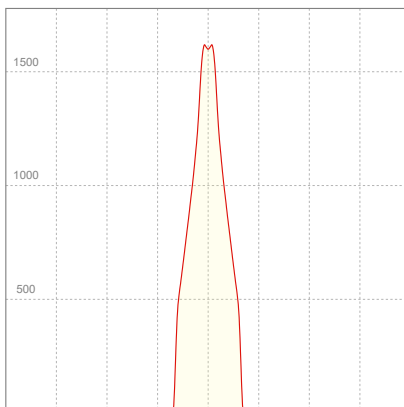
| | | | | |
|----------------|-----------------|--------------------|------------------------------|-----------------------------|
| Beam angle 50% | Field angle 10% | Cut off angle 2,5% | Intensity ratio in 120° cone | Intensity ratio in 90° cone |
| 37,2° | 59,1° | 61° | 93,9% | 93,0% |



BEAM INTENSITIES AND WIDTHS

| Distance | 1m | 2m | 3m | 4m | 5m | 7,5m | 10m | 15m | 20m | 25m | 30m | 40m | 50m |
|-----------|--------|-------|-------|--------|--------|--------|--------|--------|--------|--------|--------|---------|---------|
| Distance | 3,3ft | 6,6ft | 9,8ft | 13,1ft | 16,4ft | 24,6ft | 32,8ft | 49,2ft | 65,6ft | 82ft | 98,4ft | 131,2ft | 164ft |
| Lux | 1600lx | 400lx | 178lx | 100lx | 64lx | 28lx | 16lx | 7lx | 4lx | 3lx | 2lx | 1lx | 1lx |
| Footcand. | 149fcd | 37fcd | 17fcd | 9fcd | 6fcd | 3fcd | 1fcd | 1fcd | 0fcd | 0fcd | 0fcd | 0fcd | 0fcd |
| Beam wid. | 0,7m | 1,3m | 2m | 2,7m | 3,4m | 5m | 6,7m | 10,1m | 13,5m | 16,8m | 20,2m | 26,9m | 33,7m |
| Beam wid. | 2,2ft | 4,4ft | 6,6ft | 8,8ft | 11ft | 16,6ft | 22,1ft | 33,1ft | 44,2ft | 55,2ft | 66,2ft | 88,3ft | 110,4ft |

LINEAR DISTRIBUTION DIAGRAM

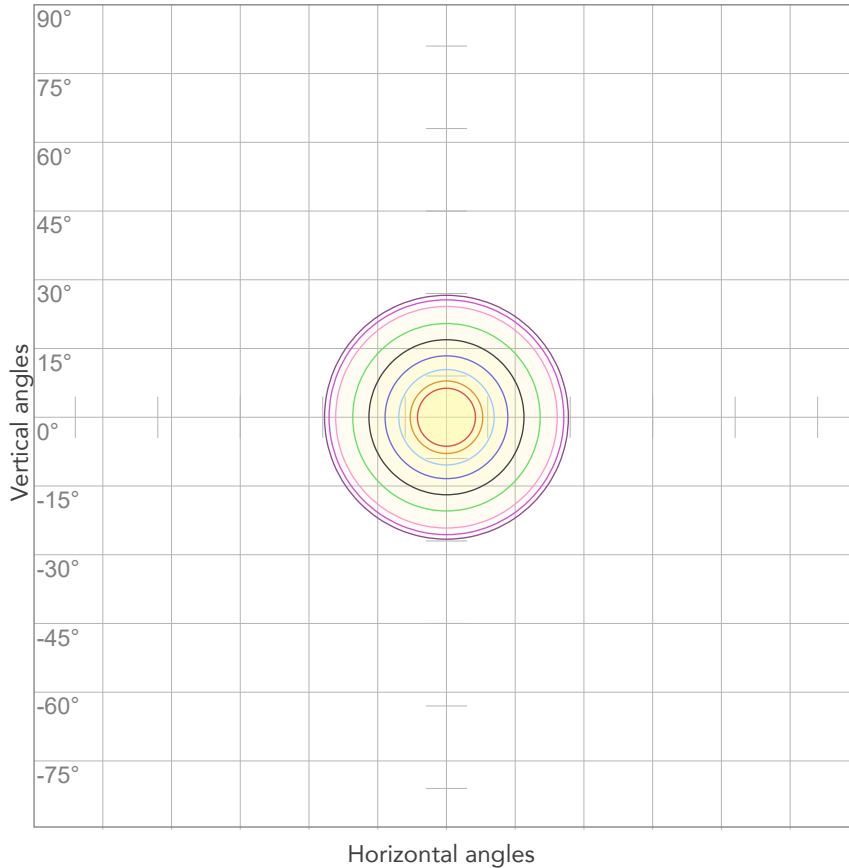


ELECTRICAL SPECIFICATIONS

| Input voltage | Input current | Input power | Effeciency |
|---------------|---------------|-------------|------------|
| 229V | 0,290A | 58,4W | 12lm/W |

| Power FC |
|----------|
| 0,88 |

ISO CANDELA DIAGRAM



| | |
|-----|---------|
| 10% | 160 cd |
| 20% | 320 cd |
| 30% | 480 cd |
| 40% | 640 cd |
| 50% | 800 cd |
| 60% | 960 cd |
| 70% | 1120 cd |
| 80% | 1280 cd |

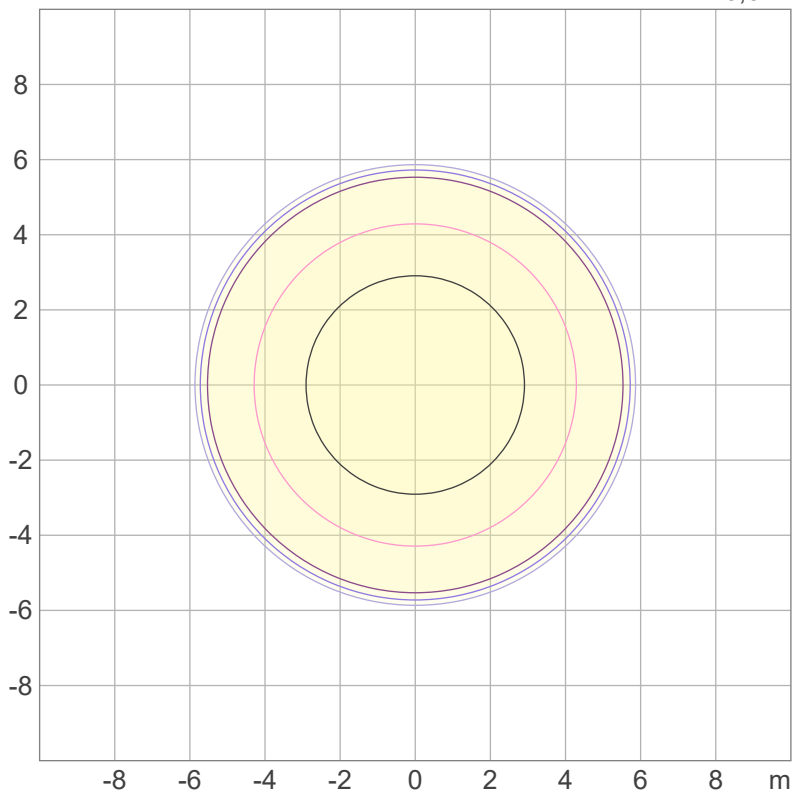
Conditions:

Number of c-planes: 2

Candela at center: 1600 cd

ISO LUX DIAGRAM

MH: 10,0 m



Mounting height: 10 meters (33 feet)

| | |
|-----|----------|
| 3% | 0,480 lx |
| 5% | 0,800 lx |
| 10% | 1,60 lx |
| 30% | 4,80 lx |
| 50% | 8,00 lx |

Conditions:

Number of c-planes: 2

Lux at center: 16,0 lx

Lux distribution on a surface when lamp is mounted at 10 meters from the surface.



Total lumen output:

810 lm

Peak candela output:

3032 cd

PRODUCT NAME:

Mosaico FX100 FC

MEASUREMENT CONDITIONS:

Beam angle:

Optic 30° LGBM

Target:

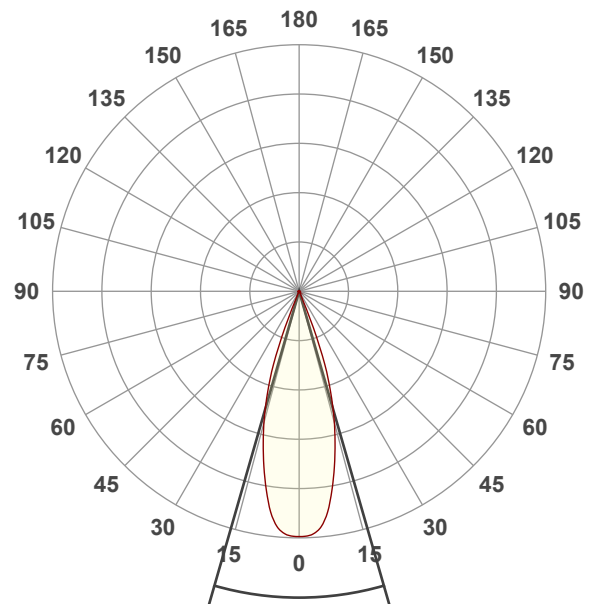
White

Operator:

Salvatore Giglio

Date and time:

11/01/2023 17:40:24

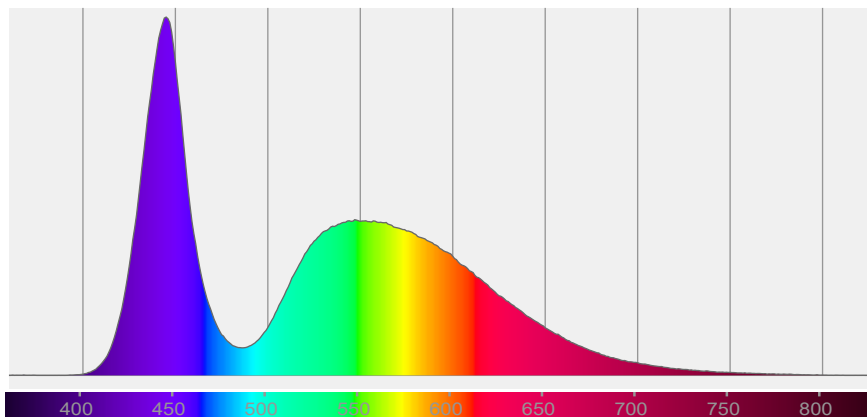


Beam angle 50%: 32,1°

Field angle 10%: 44,4°

Cut off angle 2.5%: 46,5°

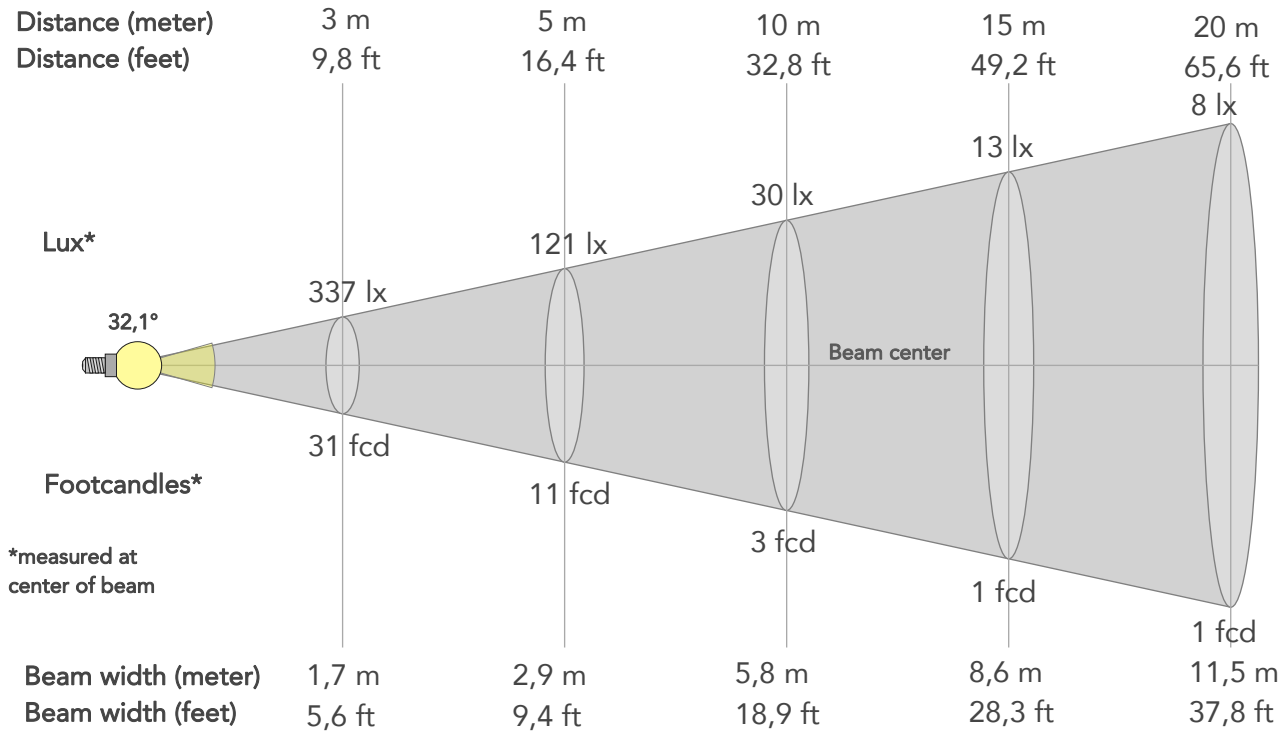
Spectra



BEAM DETAILS



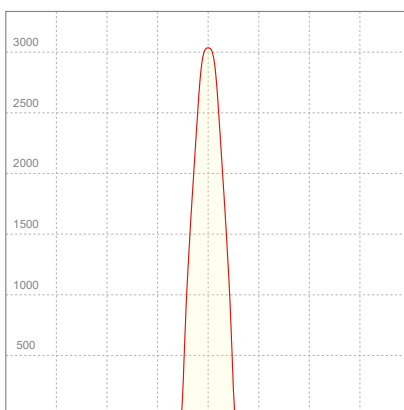
| | | | | |
|----------------|-----------------|--------------------|------------------------------|-----------------------------|
| Beam angle 50% | Field angle 10% | Cut off angle 2,5% | Intensity ratio in 120° cone | Intensity ratio in 90° cone |
| 32,1° | 44,4° | 46,5° | 94,8% | 94,7% |



BEAM INTENSITIES AND WIDTHS

| Distance | 1m | 2m | 3m | 4m | 5m | 7,5m | 10m | 15m | 20m | 25m | 30m | 40m | 50m |
|-----------|--------|-------|-------|--------|--------|--------|--------|--------|--------|--------|--------|---------|--------|
| Distance | 3,3ft | 6,6ft | 9,8ft | 13,1ft | 16,4ft | 24,6ft | 32,8ft | 49,2ft | 65,6ft | 82ft | 98,4ft | 131,2ft | 164ft |
| Lux | 3032lx | 758lx | 337lx | 190lx | 121lx | 54lx | 30lx | 13lx | 8lx | 5lx | 3lx | 2lx | 1lx |
| Footcand. | 282fcd | 70fcd | 31fcd | 18fcd | 11fcd | 5fcd | 3fcd | 1fcd | 1fcd | 0fcd | 0fcd | 0fcd | 0fcd |
| Beam wid. | 0,6m | 1,2m | 1,7m | 2,3m | 2,9m | 4,3m | 5,8m | 8,6m | 11,5m | 14,4m | 17,3m | 23m | 28,8m |
| Beam wid. | 1,9ft | 3,8ft | 5,6ft | 7,5ft | 9,4ft | 14,2ft | 18,9ft | 28,3ft | 37,8ft | 47,2ft | 56,6ft | 75,5ft | 94,4ft |

LINEAR DISTRIBUTION DIAGRAM

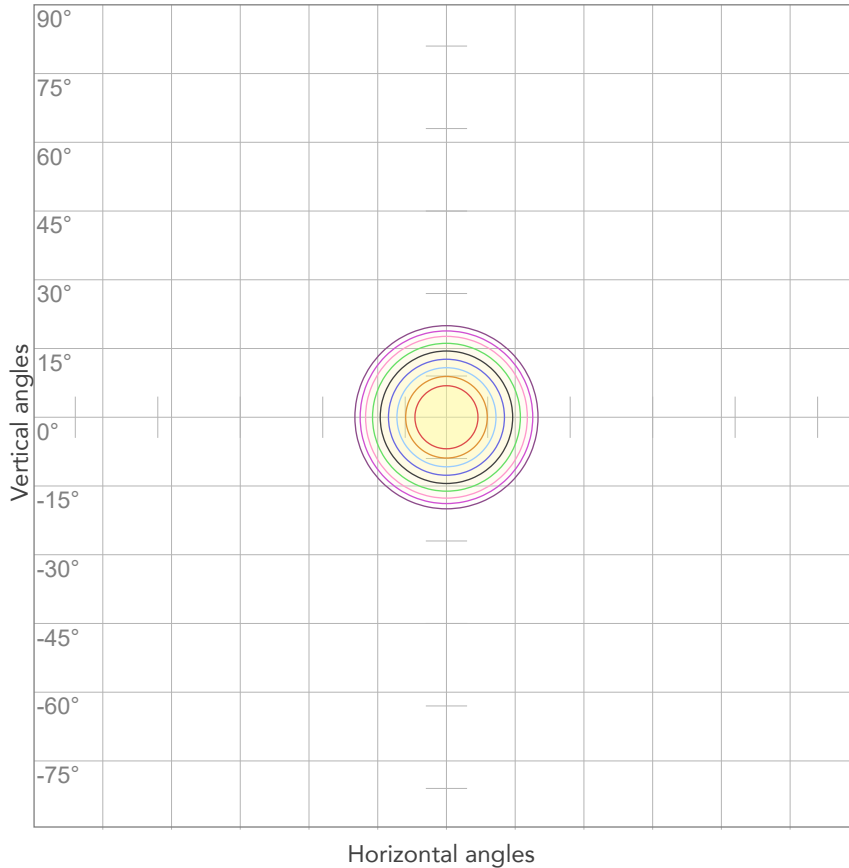


ELECTRICAL SPECIFICATIONS

| Input voltage | Input current | Input power | Effeciency |
|---------------|---------------|-------------|------------|
| 225V | 0,294A | 58,5W | 14lm/W |

| Power FC |
|----------|
| 0,88 |

ISO CANDELA DIAGRAM



| | |
|-----|---------|
| 10% | 303 cd |
| 20% | 606 cd |
| 30% | 910 cd |
| 40% | 1213 cd |
| 50% | 1516 cd |
| 60% | 1819 cd |
| 70% | 2123 cd |
| 80% | 2426 cd |

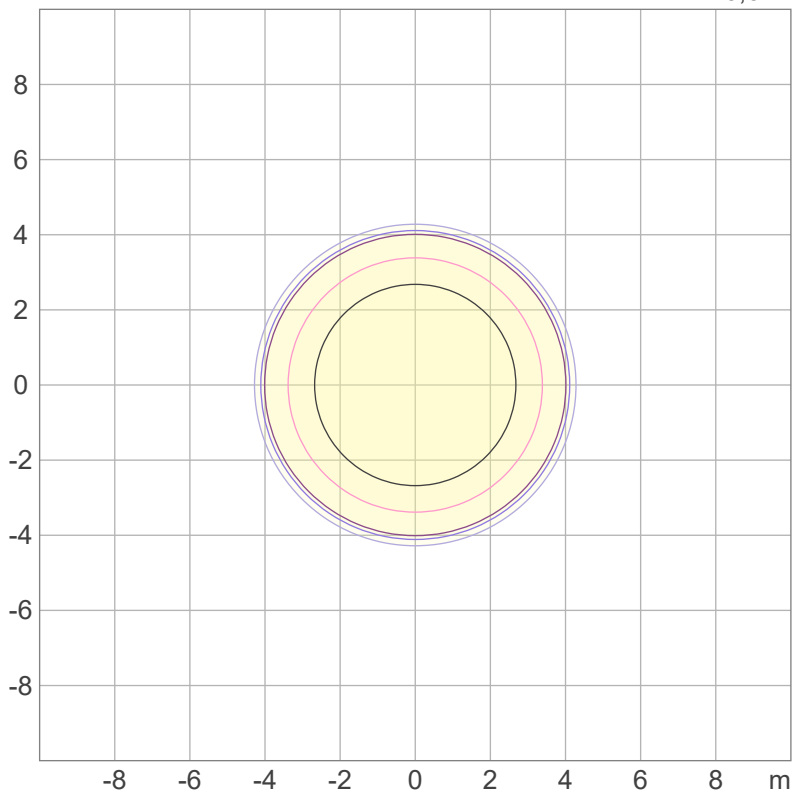
Conditions:

Number of c-planes: 2

Candela at center: 3032 cd

ISO LUX DIAGRAM

MH: 10,0 m



Mounting height: 10 meters (33 feet)

| | |
|-----|----------|
| 3% | 0,910 lx |
| 5% | 1,52 lx |
| 10% | 3,03 lx |
| 30% | 9,10 lx |
| 50% | 15,2 lx |

Conditions:

Number of c-planes: 2

Lux at center: 30,3 lx

Lux distribution on a surface when lamp is mounted at 10 meters from the surface.



Total lumen output:

682 lm

Peak candela output:

1400 cd

PRODUCT NAME:

Mosaico FX100 FC

MEASUREMENT CONDITIONS:

Beam angle:

Optic 50° LGBW

Target:

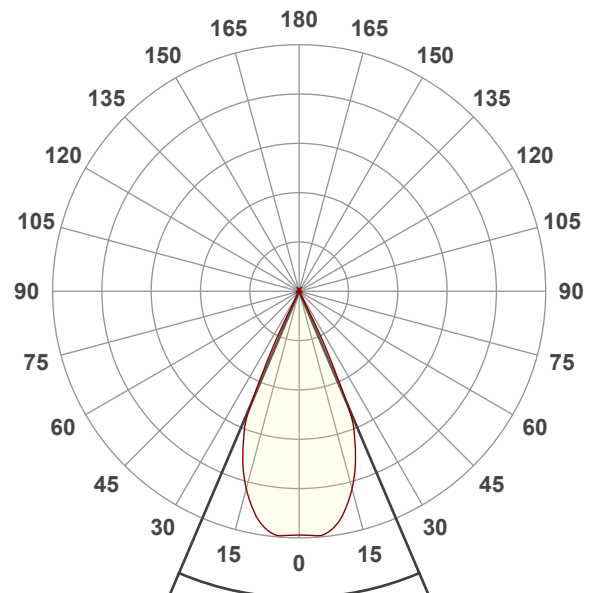
White

Operator:

Salvatore Giglio

Date and time:

12/01/2023 11:42:45

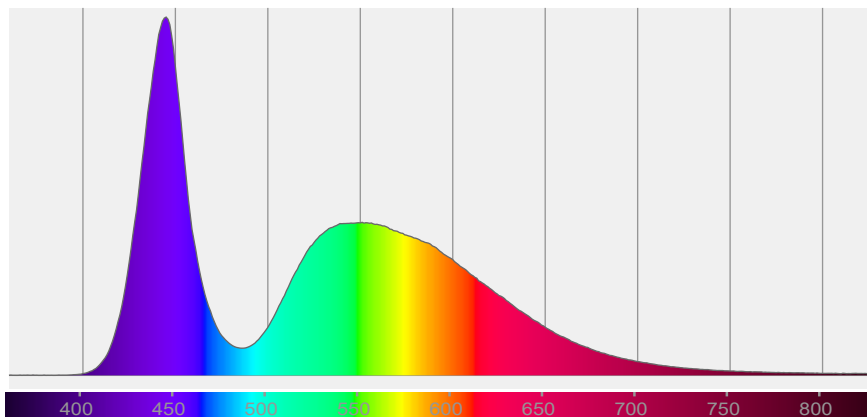


Beam angle 50%: 46,2°

Field angle 10%: 53,5°

Cut off angle 2.5%: 55,1°

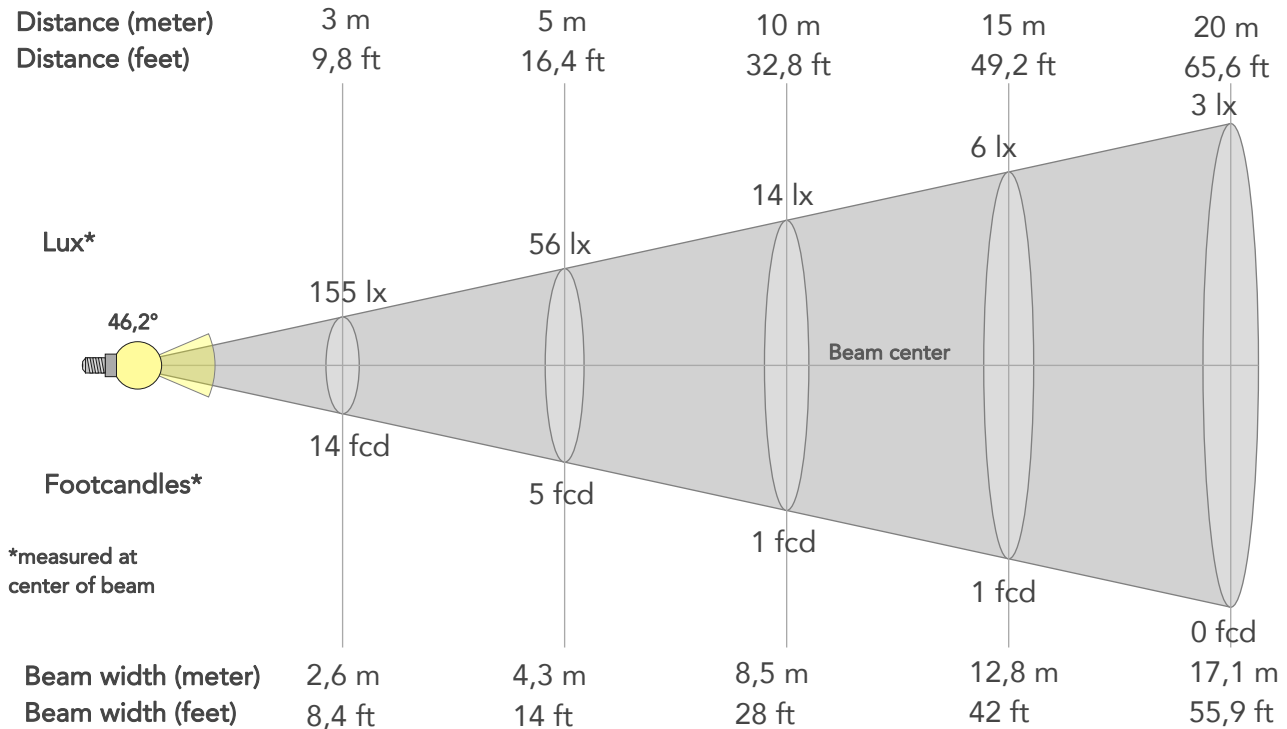
Spectra



BEAM DETAILS



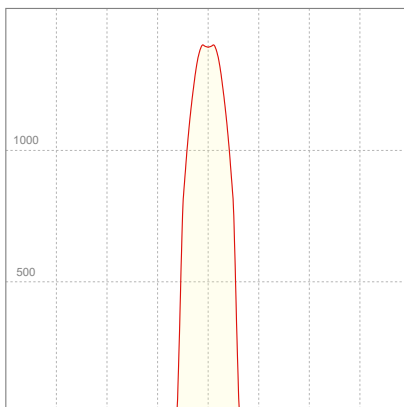
| | | | | |
|----------------|-----------------|--------------------|------------------------------|-----------------------------|
| Beam angle 50% | Field angle 10% | Cut off angle 2,5% | Intensity ratio in 120° cone | Intensity ratio in 90° cone |
| 46,2° | 53,5° | 55,1° | 92,7% | 91,9% |



BEAM INTENSITIES AND WIDTHS

| Distance | 1m | 2m | 3m | 4m | 5m | 7,5m | 10m | 15m | 20m | 25m | 30m | 40m | 50m |
|-----------|--------|-------|-------|--------|--------|--------|--------|--------|--------|--------|--------|---------|---------|
| Distance | 3,3ft | 6,6ft | 9,8ft | 13,1ft | 16,4ft | 24,6ft | 32,8ft | 49,2ft | 65,6ft | 82ft | 98,4ft | 131,2ft | 164ft |
| Lux | 1393lx | 348lx | 155lx | 87lx | 56lx | 25lx | 14lx | 6lx | 3lx | 2lx | 2lx | 1lx | 1lx |
| Footcand. | 129fcd | 32fcd | 14fcd | 8fcd | 5fcd | 2fcd | 1fcd | 1fcd | 0fcd | 0fcd | 0fcd | 0fcd | 0fcd |
| Beam wid. | 0,9m | 1,7m | 2,6m | 3,4m | 4,3m | 6,4m | 8,5m | 12,8m | 17,1m | 21,3m | 25,6m | 34,1m | 42,6m |
| Beam wid. | 2,8ft | 5,6ft | 8,4ft | 11,2ft | 14ft | 21ft | 28ft | 42ft | 55,9ft | 69,9ft | 83,9ft | 111,9ft | 139,9ft |

LINEAR DISTRIBUTION DIAGRAM

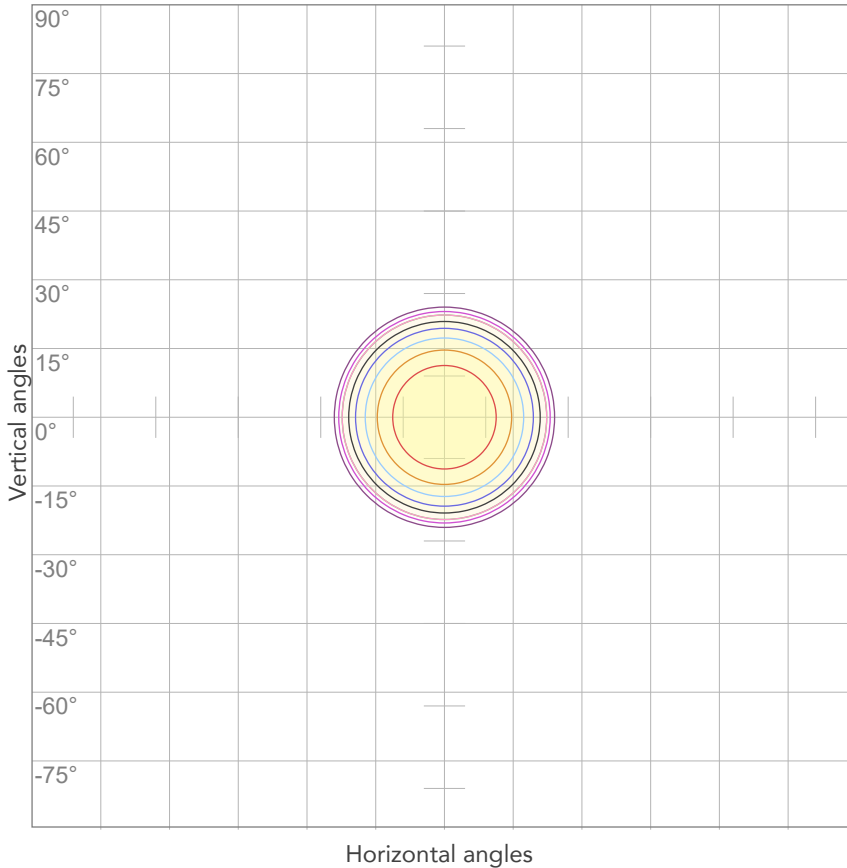


ELECTRICAL SPECIFICATIONS

| Input voltage | Input current | Input power | Effeciency |
|---------------|---------------|-------------|------------|
| 226V | 0,294A | 58,7W | 12lm/W |

| Power FC |
|----------|
| 0,88 |

ISO CANDELA DIAGRAM



| | |
|-----|---------|
| 10% | 139 cd |
| 20% | 279 cd |
| 30% | 418 cd |
| 40% | 557 cd |
| 50% | 696 cd |
| 60% | 836 cd |
| 70% | 975 cd |
| 80% | 1114 cd |

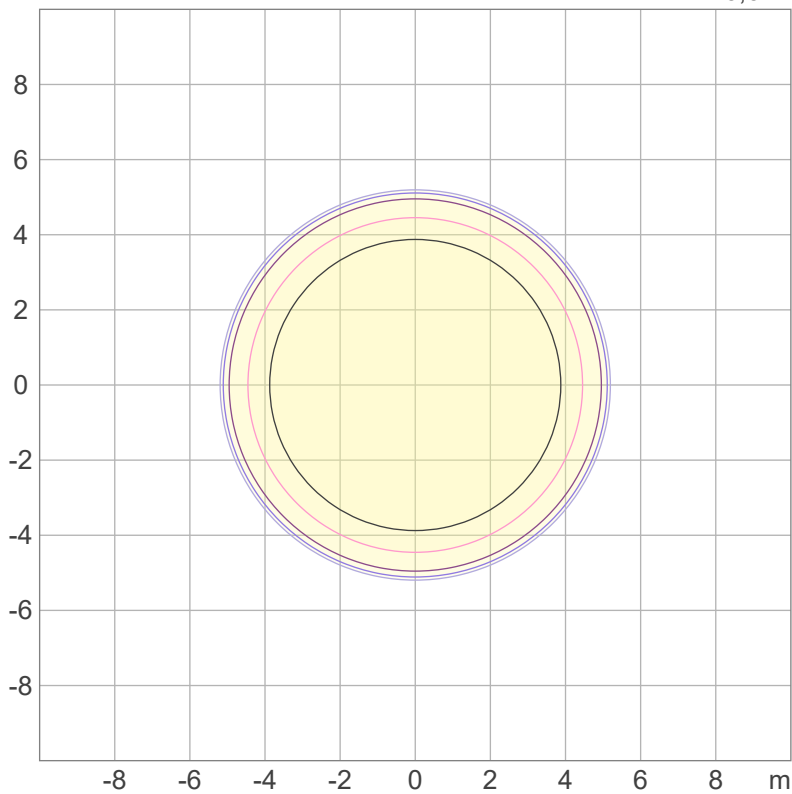
Conditions:

Number of c-planes: 2

Candela at center: 1393 cd

ISO LUX DIAGRAM

MH: 10,0 m



Mounting height: 10 meters (33 feet)

| | |
|-----|----------|
| 3% | 0,418 lx |
| 5% | 0,696 lx |
| 10% | 1,39 lx |
| 30% | 4,18 lx |
| 50% | 6,96 lx |

Conditions:

Number of c-planes: 2

Lux at center: 13,9 lx

Lux distribution on a surface when lamp is mounted at 10 meters from the surface.